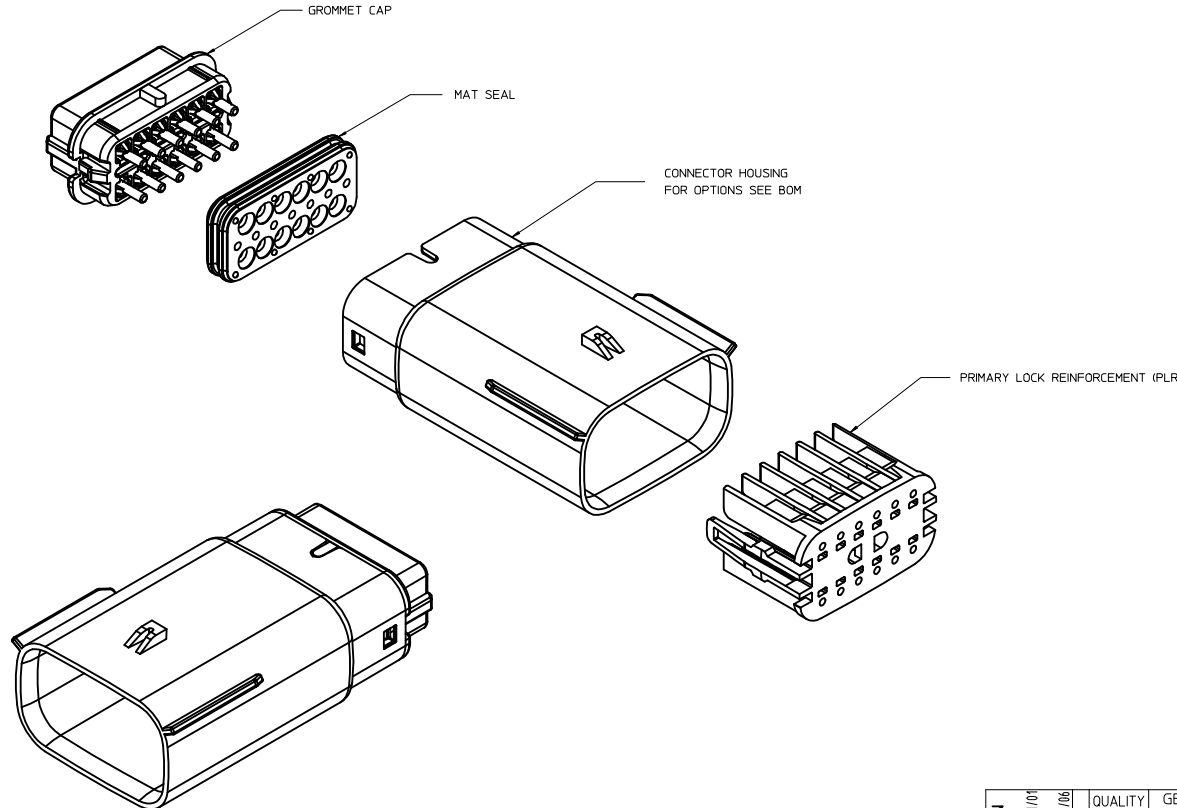


TABLE OF CONTENTS	
SHEET NO.	SHEET DESCRIPTION
1	NOTES
2	KEY CONFIGURATIONS
3	BLADE SEALED ASSEMBLY
4	SYSTEM PACKAGING
5	BACKSHELL NOTES
6	BACKSHELL
7	BACKSHELL CONFIGURATIONS
8-10	BOM



NOTES: VALID UNLESS OTHERWISE SPECIFIED

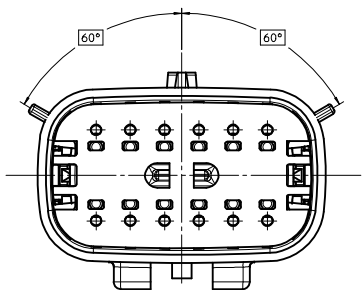
1. GENERAL:
 - a. APPLICATION SPECIFICATION SEE: AS-33472-100
 CONTAINS: PRODUCT INTRODUCTION, PRODUCT SUMMARY, CONNECTOR ASSEMBLY, PACKAGING INFORMATION, CONNECTOR MATING, SERVICE INSTRUCTIONS, ELECTRICAL CONTINUITY CHECKING, CRIMPING, AND TROUBLESHOOTING.
 -DESIGNED TO MATE WITH RECEPTACLE HOUSING ASSEMBLY SPECIFIED IN MOLEX CHARTED DRAWING SD-33472-121 AND SD-33472-131 FOR 1.5mm BLADE TERMINALS TO BE USED WITH THIS ASSEMBLY. SEE MOLEX DRAWING SD-33000-001
 - SYSTEM TO BE USED WITH WIRE WITHIN DIAMETER RANGE OF 1.2mm TO 2.69mm.
 -ASSEMBLY SHIPPED WITH PLR IN PRE-LOCK POSITION
 -IN THE EVENT THAT THE PLR IS FOUND IN THE SEATED (FINAL LOCK) POSITION, REFER TO MOLEX SPECIFICATION PS-34646-001, AVAILABLE AT www.molex.com <<http://www.molex.com>>
 -ASSEMBLY CONFORMS TO SAE/JUSCAR-2 REV.4 WITH THE FOLLOWING EXCEPTIONS:
 TERMINAL INSERTION FORCE FOR WIRE DIAMETER ABOVE 2.5mm NOT EXCEEDING 2.69mm SHALL NOT EXCEED 45 NEWTONS.
 - b. PRODUCT SPECIFICATION SEE: PS-33472-000
 CONTAINS: PRODUCT INTRODUCTION, PRODUCT SUMMARY, RATINGS (CURRENT, TEMPERATURE, SEALING, AND FLAMMABILITY), AND PRODUCT VALIDATION.
 - c. PACKAGING SPECIFICATION PER MOLEX DRAWING: PK-31300-635
 - d. PARTS MUST BE IN COMPLIANCE TO MOLEX CHEMICAL SUBSTANCES FOR PRODUCTS AND PACKAGING SPECIFICATION: ES-40000-5016
 - e. DATA MUST BE SUBMITTED UNDER THE MOLEX PART NUMBER TO IMDS (COMPANY ID=13255)
2. DESIGN - MATERIALS:
 - a. SEE BOM TABLE
3. DESIGN - GEOMETRY:
 - a. THIS IS A 100% CAD GENERATED PART. THE CAD MATHEMATICAL DATA IS THE MASTER FOR THIS PART. FOR DIMENSIONAL OR ANY INFORMATION NOT SHOWN ON THIS DRAWING, ANALYZE THE CAD MODEL.
 - b. GEOMETRIC DIMENSIONS AND TOLERANCES PER ASME Y14.5M - 1994
 - c. EDGES AND UNDIMENSIONED DETAILS PER ISO13715
 - d. CORNERS SHOWN AS SHARP TO BE R 0.2 MAX.
 - e. LETTERING SHALL BE 0.15 MAX RAISED IN 0.25 MAX RECESS PAD. THIS INCLUDES RECYCLING CODE, CAVITY ID, VENDOR IDENTIFICATION, AND CUSTOMER MATERIAL NUMBER.
 - f. VISUAL DEFECTS SHALL MEET COSMETIC STANDARD PS-45499-002 (Class B) CAD MODEL.
 - g. LASER MARKING: TBD

INSPECTION LOG
 LAST NUMBER USED:
 ADDED:
 REMOVED:

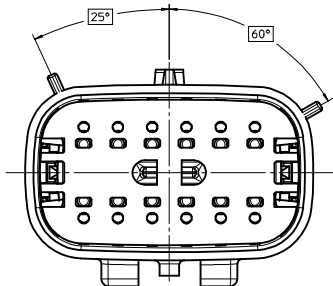
AB	CHANGE PART NUMBER STATUS
AA	ADD NEW P/N 33482-1331
Z10	ADD NEW P/N 33482-1330
Z9	CHANGE PART NUMBER STATUS
	ADD NEW P/N 33482-1328 33482-1329
Z8	ADD NEW P/N 33482-1323 33482-1324
	33482-1325 33482-1326
	33482-1327
Z7	ADD NEW P/N 33482-1321 33482-1322
Z6	ADD NEW P/N 33482-1320
Z5	UPDATED BACKSHELL INFORMATION
Z4	ADD NEW P/N 33482-1317 33482-1318
	33482-1319
Z3	ADD NEW P/N 33482-1314 33482-1315
	33482-1316
REV	DESCRIPTION

ENTER DESCRIPTION DEC NO: UAU2014-0716 DRAWN BY CHKD: APPR: IKOSHY 2013/11/06 DESCRIPTION AB	QUALITY SYMBOLS	GENERAL TOLERANCES (UNLESS SPECIFIED)	DIMENSION STYLE	SCALE	DESIGN UNITS	THIRD ANGLE PROJECTION	
	$\nabla=0$ $\nabla=0$ $\nabla=0$	4 PLACES ± --- ± --- 3 PLACES ± --- ± --- 2 PLACES ± 0.10 ± --- 1 PLACE ± 0.3 ± --- 0 PLACE ± ±	MM ONLY INCH	DRAWN BY DATE DGR1FF1THS 05-16-03 CHECKED BY DATE DGR1FF1THS 05-16-03 APPROVED BY DATE DGR1FF1THS 05-16-03	3:1	METRIC	
	ANGULAR ± 3 ° DRAFT WHERE APPLICABLE MUST REMAIN WITHIN DIMENSIONS	MATERIAL NO. SEE BOM	DOCUMENT NO. SD-33482-121	TITLE MX150 2X6 BLADE SEALED ASSEMBLY MAT SEAL molex	SHEET NO. 1 OF 11		
	THIS DRAWING CONTAINS INFORMATION THAT IS PROPRIETARY TO MOLEX INCORPORATED AND SHOULD NOT BE USED WITHOUT WRITTEN PERMISSION						

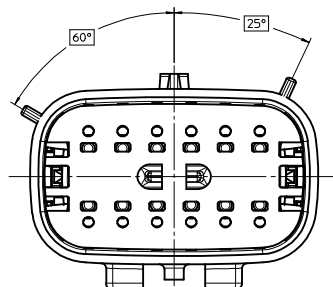
KEY CONFIGURATIONS



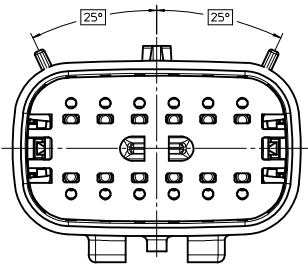
KEY A



KEY B



KEY C

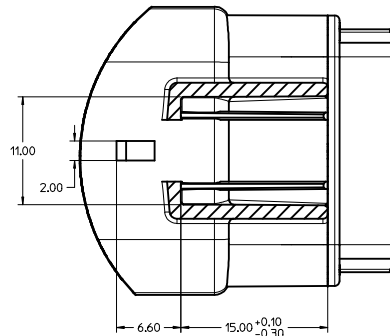
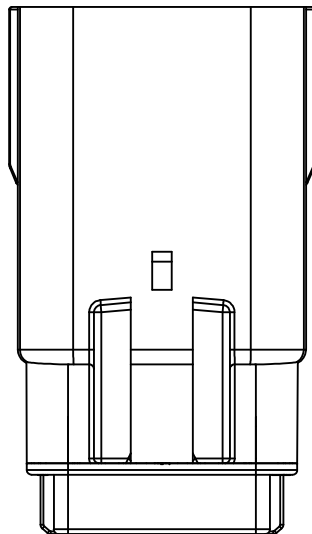
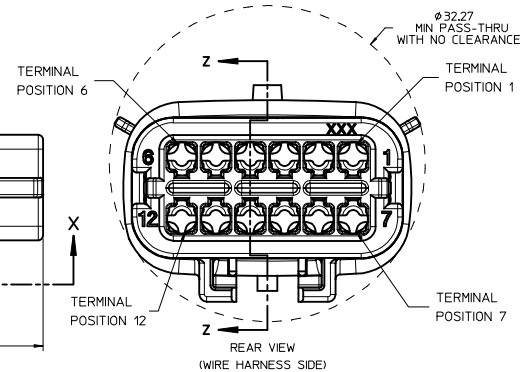
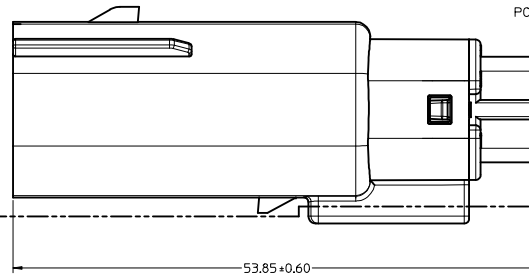
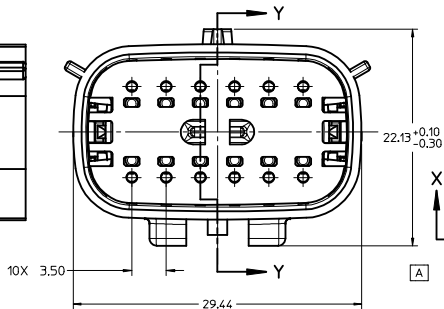
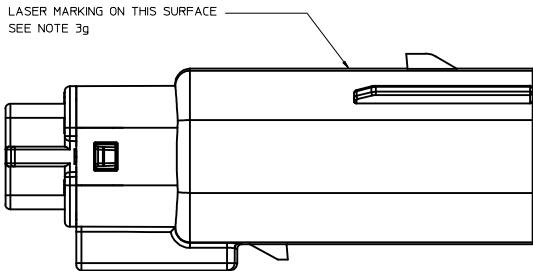


KEY D

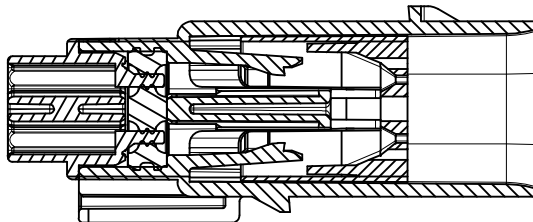
ENTER DESCRIPTION IEC NO: UAU2014-0716 DRAWN BY: 2013/11/01 CHKD: AB APPR: IKOSHY 2013/11/06 DESCRIPTION	QUALITY SYMBOLS	GENERAL TOLERANCES (UNLESS SPECIFIED)	DIMENSION STYLE	SCALE	DESIGN UNITS	THIRD ANGLE PROJECTION
	∇=0 ∇=0 ∇=0	4 PLACES ± mm ± INCH 3 PLACES ± --- ± --- 2 PLACES ± 0.10 ± --- 1 PLACE ± 0.3 ± --- 0 PLACE ± ±	MM ONLY	4:1	METRIC	DRAWN BY: DGRIFITHS DATE: 05-16-03 CHECKED BY: DGRIFITHS DATE: 05-16-03 APPROVED BY: DGRIFITHS DATE: 05-16-03
DRAFT WHERE APPLICABLE MUST REMAIN WITHIN DIMENSIONS		ANGULAR ± 3 °	SIZE D		SHEET NO. 2 OF 11	

THIS DRAWING CONTAINS INFORMATION THAT IS PROPRIETARY TO MOLEX INCORPORATED AND SHOULD NOT BE USED WITHOUT WRITTEN PERMISSION

BLADE SEALED ASSEMBLY

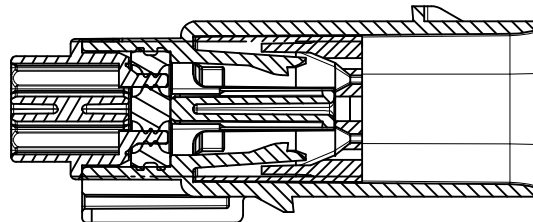


Partial X-X
SCALE 4:1



PRIMARY LOCK REINFORCER (PLR) SHOWN
IN PRE-STAGED POSITION

SECTION Z-Z



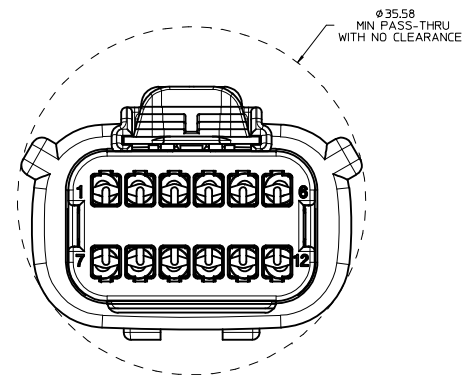
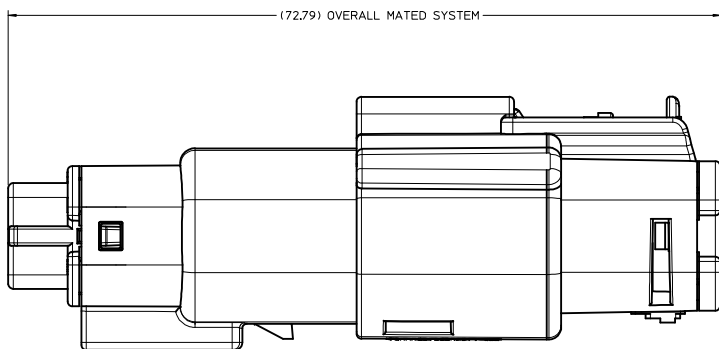
PRIMARY LOCK REINFORCER (PLR) SHOWN
IN FINAL-LOCK POSITION

SECTION Y-Y

ENTER DESCRIPTION IEC NO: UAU2014-076 DRAWN BY: 2003/11/07 CHKD: APPR: WOSHY 2003/11/06	QUALITY SYMBOLS	GENERAL TOLERANCES (UNLESS SPECIFIED)	DIMENSION STYLE	SCALE	DESIGN UNITS	THIRD ANGLE PROJECTION
	∇=0 ∇=0 ∇=0	mm INCH 4 PLACES ± --- ± --- 3 PLACES ± --- ± --- 2 PLACES ± 0.10 ± --- 1 PLACE ± 0.3 ± --- 0 PLACE ± ±	MM ONLY	4:1	METRIC	☉ THIRD ANGLE PROJECTION
	DRAFT WHERE APPLICABLE MUST REMAIN WITHIN DIMENSIONS	ANGULAR ± 3 °	DRAWN BY: DGRIFITHS DATE: 05-16-03 CHECKED BY: DATE: DGRIFITHS 05-16-03 APPROVED BY: DATE: DGRIFITHS 05-16-03	MATERIAL NO: SEE BOM	TITLE: MX150 2X6 BLADE SEALED ASSEMBLY MAT SEAL	DOCUMENT NO: SD-33482-121
	SIZE D	THIS DRAWING CONTAINS INFORMATION THAT IS PROPRIETARY TO MOLEX INCORPORATED AND SHOULD NOT BE USED WITHOUT WRITTEN PERMISSION	SHEET NO. 3 OF 11			

20 19 18 17 16 15 14 13 12 11 10 9 8 7 6 5 4 3 2 1

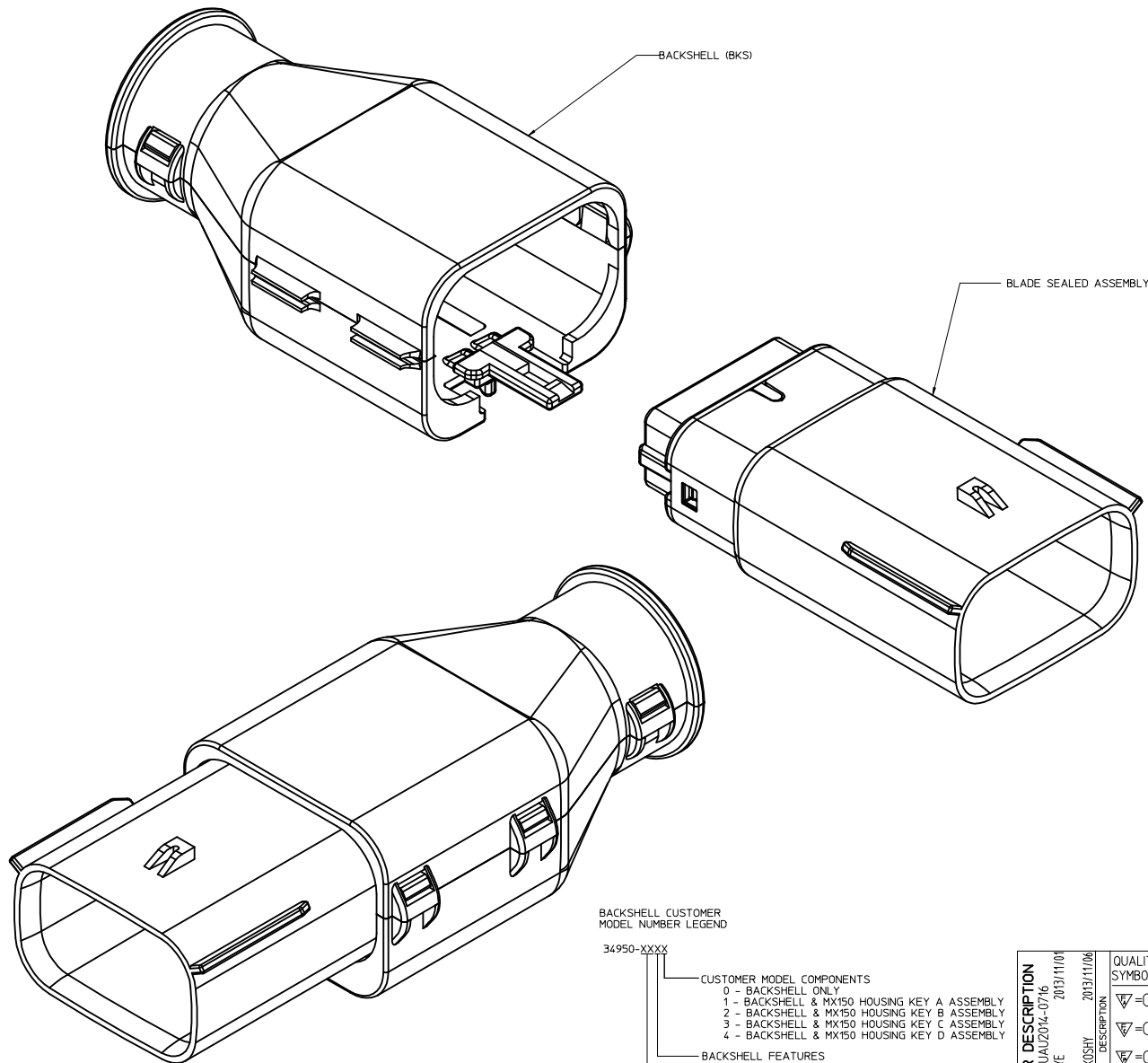
SYSTEM PACKAGING



ENTER DESCRIPTION IEC NO: UAU2014-0716 DRAWN BY: 2013/11/07 CHKD: AB APPR: WKSHY 2013/11/06 DESCRIPTION	QUALITY SYMBOLS	GENERAL TOLERANCES (UNLESS SPECIFIED)	DIMENSION STYLE	SCALE	DESIGN UNITS	THIRD ANGLE PROJECTION
	$\nabla=0$ $\nabla=0$ $\nabla=0$	mm INCH 4 PLACES ± --- ± --- 3 PLACES ± --- ± --- 2 PLACES ± 0.10 ± --- 1 PLACE ± 0.3 ± --- 0 PLACE ± ±	MM ONLY	4:1	METRIC	
	DRAFT WHERE APPLICABLE MUST REMAIN WITHIN DIMENSIONS	DRAWN BY: DGRIFITHS DATE: 05-16-03 CHECKED BY: DATE: APPROVED BY: DATE: DGRIFITHS 05-16-03	MATERIAL NO: SEE BOM	TITLE: MX150 2X6 BLADE SEALED ASSEMBLY MAT SEAL	DOCUMENT NO: SD-33482-121	SHEET NO: 4 OF 11
	SIZE D	THIS DRAWING CONTAINS INFORMATION THAT IS PROPRIETARY TO MOLEX INCORPORATED AND SHOULD NOT BE USED WITHOUT WRITTEN PERMISSION				

19 18 17 16 15 14 13 12 11 10 9 8 7 6 5 4 3 2 1

BACKSHELL NOTES



BACKSHELL NOTES: VALID UNLESS OTHERWISE SPECIFIED

1. GENERAL:
 a. APPLICATION SPECIFICATION SEE: AS-34951-001
 -DESIGNED TO MATE WITH BLADE SEALED ASSEMBLY SPECIFIED IN MOLEX DRAWING SD-33482-121.
 -SYSTEM TO BE USED WITH WIRE WITHIN DIAMETER RANGE OF 1.2mm TO 2.69mm.
 -COMPONENTS ARE OPTIONAL AND MUST BE PURCHASED SEPARATELY.
 -BACKSHELL DESIGN IS OWNED BY SCHLEMMER.
 -FOR ADDITIONAL INFORMATION SEE THE BACKSHELL COMPONENT DRAWING SD-34950-0001.

BACKSHELL CUSTOMER MODEL NUMBER LEGEND

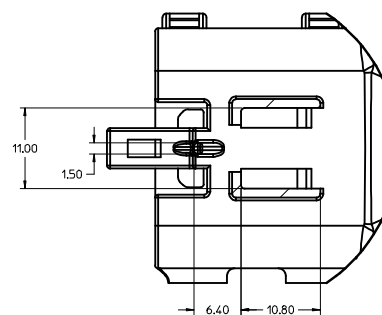
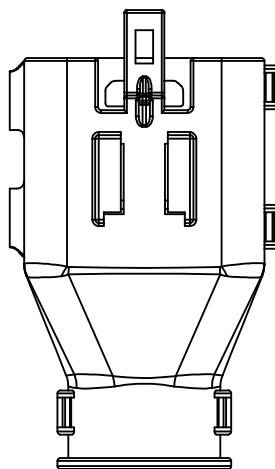
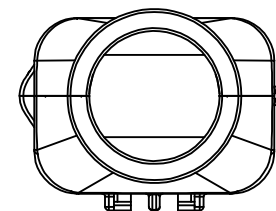
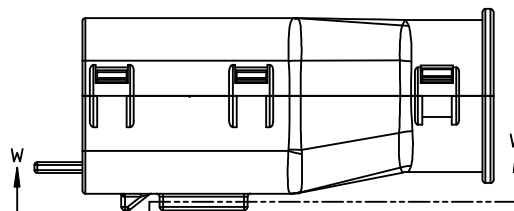
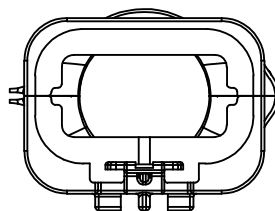
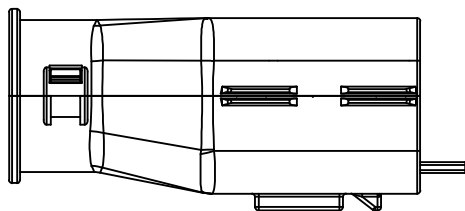
- 34950-XXXX
- CUSTOMER MODEL COMPONENTS
 - 0 - BACKSHELL ONLY
 - 1 - BACKSHELL & MX150 HOUSING KEY A ASSEMBLY
 - 2 - BACKSHELL & MX150 HOUSING KEY B ASSEMBLY
 - 3 - BACKSHELL & MX150 HOUSING KEY C ASSEMBLY
 - 4 - BACKSHELL & MX150 HOUSING KEY D ASSEMBLY
 - BACKSHELL FEATURES
 - 1 - WITH RIBS
 - 2 - WITHOUT RIBS

- MX150 CIRCUIT SIZE 04, 06, 08, 12, 16, 20

ENTER DESCRIPTION IEC NO: JAU2014-0716 DRAWN BY: 2013/11/06 CHKD: APPR: WOSHY AB	QUALITY SYMBOLS ▽=0 ▽=0 ▽=0	GENERAL TOLERANCES (UNLESS SPECIFIED) mm INCH 4 PLACES ± --- ± --- 3 PLACES ± --- ± --- 2 PLACES ± 0.10 ± --- 1 PLACE ± 0.3 ± --- 0 PLACE ± ±	DIMENSION STYLE MM ONLY DRAWN BY: DGRIFITHS DATE: 05-16-03 CHECKED BY: DATE DGRIFITHS 05-16-03 APPROVED BY: DATE DGRIFITHS 05-16-03	SCALE 2:1 DESIGN UNITS METRIC THIRD ANGLE PROJECTION	TITLE MX150 2X6 BLADE SEALED ASSEMBLY MAT SEAL molex	MATERIAL NO: SEE BOM	DOCUMENT NO: SD-33482-121	SHEET NO: 5 OF 11
	DRAFT WHERE APPLICABLE MUST REMAIN WITHIN DIMENSIONS ANGULAR ± 3 ° SIZE D		THIS DRAWING CONTAINS INFORMATION THAT IS PROPRIETARY TO MOLEX INCORPORATED AND SHOULD NOT BE USED WITHOUT WRITTEN PERMISSION					

20 19 18 17 16 15 14 13 12 11 10 9 8 7 6 5 4 3 2 1

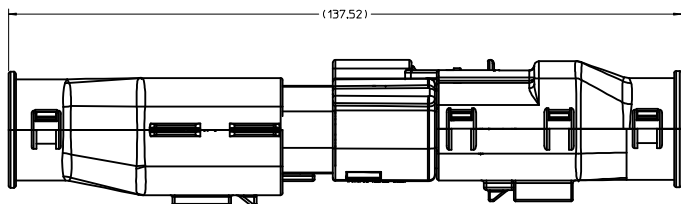
BACKSHELL
 THE VIEWS ON THIS SHEET ARE
 IN THE CLOSED UN-ASSEMBLED POSITION



Partial W-W
 SCALE 3:1

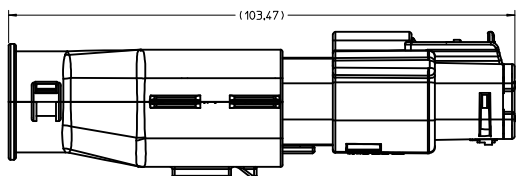
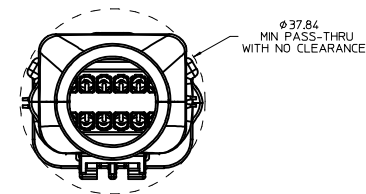
ENTER DESCRIPTION IEC NO: UAU2014-0716 DRAWN BY: 2013/11/07 CHKD: AB APPR: WJOSHY REV: DESCRIPTION	QUALITY SYMBOLS	GENERAL TOLERANCES (UNLESS SPECIFIED)	DIMENSION STYLE	SCALE	DESIGN UNITS	THIRD ANGLE PROJECTION
	∇=0 ∇=0 ∇=0	mm INCH 4 PLACES ± --- ± --- 3 PLACES ± --- ± --- 2 PLACES ± 0.10 ± --- 1 PLACE ± 0.3 ± --- 0 PLACE ± ±	MM ONLY	3:1	METRIC	DRAWN BY: DGRIFITHS DATE: 05-16-03 CHECKED BY: DGRIFITHS DATE: 05-16-03 APPROVED BY: DGRIFITHS DATE: 05-16-03
	ANGULAR ± 3 ° DRAFT WHERE APPLICABLE MUST REMAIN WITHIN DIMENSIONS	MATERIAL NO: SEE BOM	TITLE: MX150 2X6 BLADE SEALED ASSEMBLY MAT SEAL molex	DOCUMENT NO: SD-33482-121	SHEET NO: 6 OF 11	
	THIS DRAWING CONTAINS INFORMATION THAT IS PROPRIETARY TO MOLEX INCORPORATED AND SHOULD NOT BE USED WITHOUT WRITTEN PERMISSION					

19 18 17 16 15 14 13 12 11 10 9 8 7 6 5 4 3 2 1

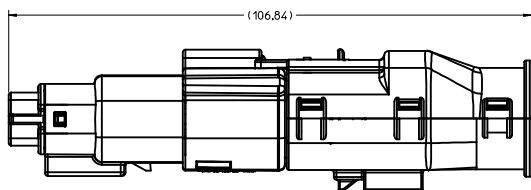
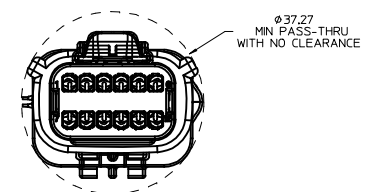


OVERALL MATED SYSTEM WITH BLADE AND RECEPTACLE BACKSHELL

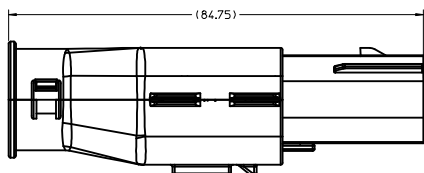
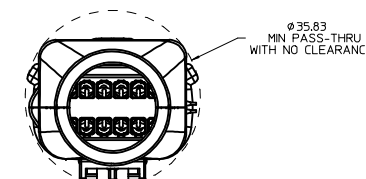
BACKSHELL CONFIGURATIONS



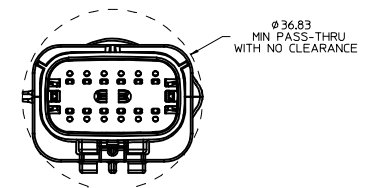
OVERALL MATED SYSTEM WITH BLADE BACKSHELL



OVERALL MATED SYSTEM WITH RECEPTACLE BACKSHELL



BLADE SEALED ASSEMBLY WITH BLADE BACKSHELL



ENTER DESCRIPTION IEC NO: UAU2014-0716 DRAWN BY: 2003/11/07 CHKD: APPR: WOSHY 2003/11/06 DESCRIPTION	QUALITY SYMBOLS	GENERAL TOLERANCES (UNLESS SPECIFIED)	DIMENSION STYLE	SCALE	DESIGN UNITS	THIRD ANGLE PROJECTION
	▽=0	mm INCH	MM ONLY	1:1	METRIC	☉
	▽=0	4 PLACES ± --- ± ---	DRAWN BY DATE			
	▽=0	3 PLACES ± 0.10 ± ---	DGRIF ITHS 05-16-03			
	2 PLACES ± 0.3 ± ---	CHECKED BY DATE				
	1 PLACE ± --- ± ---	DGRIF ITHS 05-16-03				
	0 PLACE ± --- ± ---	APPROVED BY DATE				
		DGRIF ITHS 05-16-03				
		ANGULAR ± 3 °	MATERIAL NO.	DOCUMENT NO.		
		DRAFT WHERE APPLICABLE MUST REMAIN WITHIN DIMENSIONS	SEE BOM	SD-33482-121		
			SIZE D			
			THIS DRAWING CONTAINS INFORMATION THAT IS PROPRIETARY TO MOLEX INCORPORATED AND SHOULD NOT BE USED WITHOUT WRITTEN PERMISSION			

MX150 2X6 BLADE SEALED ASSEMBLY MAT SEAL

molex

SHEET NO. 7 OF 11

ASSEMBLY DESCRIPTION	ASSEMBLY PART NUMBER	A	B	C	D	C	D	1	2	3	4	5	6	7	8	9	10	11	12	STATUS	COMMENTS	BACKSHELL WITH RIBS	BACKSHELL WITHOUT RIBS
KEY A, BLACK	33482-1240	A							2	3					8	9	10	11			34950-1210	34950-1220	
KEY A, BLACK	33482-1239	A						1				5	6	7	8							34950-1210	34950-1220
KEY B, LIGHT GRAY	33482-1238	B							2								9	10				34950-1210	34950-1220
KEY A, BLACK	33482-1237	A							2													34950-1210	34950-1220
KEY B, LIGHT GRAY	33482-1236	B						1				5	6	7	8	9	10					34950-1210	34950-1220
KEY A, BLACK	33482-1235	A							2	3			6	7	8		10	11				34950-1210	34950-1220
KEY A, BLACK	33482-1234	A											6	7								34950-1210	34950-1220
KEY A, BLACK	33482-1233	A							2	3		5	6	7	8				11			34950-1210	34950-1220
KEY A, BLACK	33482-1232	A							2	3					8			11				34950-1210	34950-1220
VOID KEY	33482-1231																						
KEY D, GREEN	33482-1230				D			1	2	3	4	5	6	7	8	9	10	11	12	NOT RECOMMENDED	SEE P/N 33482-1264	34950-1210	34950-1220
KEY C, BROWN	33482-1229				C			1	2	3	4	5	6	7	8	9	10	11	12	NOT RECOMMENDED	SEE P/N 33482-1263	34950-1210	34950-1220
KEY B, LIGHT GRAY	33482-1228				B			1	2	3	4	5	6	7	8	9	10	11	12			34950-1210	34950-1220
KEY A, BLACK	33482-1227	A						1	2	3	4	5	6	7	8	9	10	11	12			34950-1210	34950-1220
KEY A, BLACK	33482-1226	A											6						12			34950-1210	34950-1220
VOID KEY	33482-1225																						
KEY D, GREEN	33482-1224				D			1					6	7					12	NOT RECOMMENDED		34950-1210	34950-1220
KEY C, BROWN	33482-1223				C			1					6	7					12	NOT RECOMMENDED		34950-1210	34950-1220
KEY B, LIGHT GRAY	33482-1222				B			1					6	7					12			34950-1210	34950-1220
KEY A, BLACK	33482-1221	A						1					6	7					12			34950-1210	34950-1220
VOID KEY	33482-1220																						
KEY D, GREEN	33482-1219				D			1					6	7						NOT RECOMMENDED		34950-1210	34950-1220
KEY C, BROWN	33482-1218				C			1					6	7						NOT RECOMMENDED		34950-1210	34950-1220
KEY B, LIGHT GRAY	33482-1217				B			1					6	7								34950-1210	34950-1220
KEY A, BLACK	33482-1216	A						1					6	7								34950-1210	34950-1220
VOID KEY	33482-1215																						
KEY D, GREEN	33482-1214				D								6	7						NOT RECOMMENDED		34950-1210	34950-1220
KEY C, BROWN	33482-1213				C								6	7						NOT RECOMMENDED		34950-1210	34950-1220
KEY B, LIGHT GRAY	33482-1212				B								6	7								34950-1210	34950-1220
KEY A, BLACK	33482-1211	A											6	7								34950-1210	34950-1220
VOID KEY	33482-1210																						
KEY D, GREEN	33482-1209				D								6							NOT RECOMMENDED		34950-1210	34950-1220
KEY C, BROWN	33482-1208				C								6							NOT RECOMMENDED		34950-1210	34950-1220
KEY B, LIGHT GRAY	33482-1207				B								6									34950-1210	34950-1220
KEY A, BLACK	33482-1206	A											6									34950-1210	34950-1220
VOID KEY	33482-1205																						
KEY D, GREEN	33482-1204				D															NOT RECOMMENDED	SEE P/N 33482-1262	34950-1210	34950-1220
KEY C, BROWN	33482-1203				C															NOT RECOMMENDED	SEE P/N 33482-1261	34950-1210	34950-1220
KEY B, LIGHT GRAY	33482-1202				B																	34950-1210	34950-1220
KEY A, BLACK	33482-1201	A																				34950-1210	34950-1220

BLOCKED TERMINAL
 CAVITY WITH A NUMBER INDICATES BLOCKED TERMINAL POSITION
 CAVITY WITHOUT A NUMBER INDICATES OPEN TERMINAL POSITION

STANDARD PLR	NATURAL	SPS/NYLON GF20
MAT SEAL	BURNT ORANGE	INHERENTLY LUBRICATED SILICONE
GROMMET CAP	BLACK	SPS/NYLON GF20
HOUSING KEYING OPTION D	STONE GRAY	SPS/NYLON GF20
HOUSING KEYING OPTION C	DARK GRAY	SPS/NYLON GF20
HOUSING KEYING OPTION D	GREEN	SPS/NYLON GF20
HOUSING KEYING OPTION C	BROWN	SPS/NYLON GF20
HOUSING KEYING OPTION B	LIGHT GRAY	SPS/NYLON GF20
HOUSING KEYING OPTION A	BLACK	SPS/NYLON GF20
DESCRIPTION	COLOR	MATERIAL

BOM/APPLICABLE COMPONENTS TABLE

ABREVIATION	COMPONENT
A	HOUSING KEY A
B	HOUSING KEY B
C	HOUSING KEY C
D	HOUSING KEY D
GC	GROMMET CAP
M	MAT SEAL
P	PLR, STANDARD
BKS	BACKSHELL

ENTER DESCRIPTION IEC NO. UAU2014-0716 DRAWN BY CHYK APPR: VKSHY 2013/11/06 REV: AB	QUALITY SYMBOLS ∇=0 ∇=0 ∇=0	GENERAL TOLERANCES (UNLESS SPECIFIED) 4 PLACES ± mm ± INCH 3 PLACES ± 0.10 ± --- 2 PLACES ± 0.3 ± --- 1 PLACE ± 0.3 ± --- 0 PLACE ± ±	DIMENSION STYLE MM ONLY	SCALE DESIGN UNITS METRIC	THIRD ANGLE PROJECTION	
	DRAFT WHERE APPLICABLE MUST REMAIN WITHIN DIMENSIONS	MATERIAL NO. SEE BOM	DATE DGR1FF ITHS 05-16-03 DATE DGR1FF ITHS 05-16-03 DATE DGR1FF ITHS 05-16-03	TITLE MX150 2X6 BLADE SEALED ASSEMBLY MAT SEAL	DOCUMENT NO. SD-33482-121	SHEET NO. 8 OF 11
	THIS DRAWING CONTAINS INFORMATION THAT IS PROPRIETARY TO MOLEX INCORPORATED AND SHOULD NOT BE USED WITHOUT WRITTEN PERMISSION					

KEY C, BROWN	33482-1322		C			1	2			5	6									NOT RECOMMENDED	SEE P/N 33482-1329	34950-1210	34950-1220
KEY C, BROWN	33482-1321		C			1	2	3	4	5	6									NOT RECOMMENDED	SEE P/N 33482-1328	34950-1210	34950-1220
KEY C, DARK GRAY	33482-1320			C		1					6	7									34950-1210	34950-1220	
KEY A, BLACK	33482-1319	A				1	2	3	4	5	6	7	8	9								34950-1210	34950-1220
KEY A, BLACK	33482-1318	A				1	2	3	4	5	6	7	8									34950-1210	34950-1220
KEY A, BLACK	33482-1317	A				1	2															34950-1210	34950-1220
KEY A, BLACK	33482-1316	A								5	6	7	8			11						34950-1210	34950-1220
KEY A, BLACK	33482-1315	A									6	7	8	9								34950-1210	34950-1220
KEY A, BLACK	33482-1314	A						3			6	7	8	9	10							34950-1210	34950-1220
KEY A, BLACK	33482-1313	A						3	4	5	6		8	9	10	11						34950-1210	34950-1220
KEY A, BLACK	33482-1312	A											8	9								34950-1210	34950-1220
KEY A, BLACK	33482-1311	A					1	2		4	5	6	7	9	10	11	12					34950-1210	34950-1220
KEY A, BLACK	33482-1310	A					1			4						11						34950-1210	34950-1220
KEY A, BLACK	33482-1309	A					1							8	10	11						34950-1210	34950-1220
KEY A, BLACK	33482-1308	A											7	8	9	10	11	12				34950-1210	34950-1220
KEY A, BLACK	33482-1307	A					1	2	3	4	5	7	8									34950-1210	34950-1220
KEY B, LIGHT GRAY	33482-1306	B					1	2	3	4	5	6	7		10	11	12					34950-1210	34950-1220
KEY B, LIGHT GRAY	33482-1305	B														10	11	12				34950-1210	34950-1220
KEY A, BLACK	33482-1304	A					1	2	3	4			7	8	9	10						34950-1210	34950-1220
KEY A, BLACK	33482-1303	A					1	2	3	4			7	8	9	10	12					34950-1210	34950-1220
KEY B, LIGHT GRAY	33482-1302	B														10	11					34950-1210	34950-1220
KEY A, BLACK	33482-1301	A					1	2					7	8			12					34950-1210	34950-1220
KEY A, BLACK	33482-1300	A					1	2	3					8	10	11	12					34950-1210	34950-1220
KEY A, BLACK	33482-1299	A					1	2					7	8								34950-1210	34950-1220
KEY A, BLACK	33482-1298	A									6					11	12					34950-1210	34950-1220
KEY A, BLACK	33482-1297	A							4		6					10	11	12				34950-1210	34950-1220
KEY A, BLACK	33482-1296	A					1	2	3	4	5	6	7	8	9	10						34950-1210	34950-1220
KEY A, BLACK	33482-1295	A					1	2			5	6	7	8			11	12				34950-1210	34950-1220
KEY A, BLACK	33482-1294	A					1	2			5	6	7	8								34950-1210	34950-1220
KEY A, BLACK	33482-1293	A							3	4					9	10	11	12				34950-1210	34950-1220
KEY A, BLACK	33482-1292	A													9							34950-1210	34950-1220
KEY A, BLACK	33482-1291	A					1	2	3	4	5	6	7	8	9	10	11	12				34950-1210	34950-1220
KEY A, BLACK	33482-1290	A					1						7				12					34950-1210	34950-1220
KEY A, BLACK	33482-1289	A					1	2	3	4	5	6		8								34950-1210	34950-1220
KEY A, BLACK	33482-1288	A					1				6											34950-1210	34950-1220
KEY A, BLACK	33482-1287	A					1						7									34950-1210	34950-1220
KEY A, BLACK	33482-1286	A						2	3					8	9							34950-1210	34950-1220
KEY D, STONE GRAY	33482-1285				D	1					6	7										34950-1210	34950-1220
KEY A, BLACK	33482-1284	A				1		3	4	5	6	7	8		9	10	11	12				34950-1210	34950-1220
KEY A, BLACK	33482-1283	A									6				9	10	11	12				34950-1210	34950-1220
KEY A, BLACK	33482-1282	A				1	2	3	4	5	6				9	10	11	12				34950-1210	34950-1220
KEY A, BLACK	33482-1281	A					2		4	5	6			8		10	11					34950-1210	34950-1220
ASSEMBLY DESCRIPTION	ASSEMBLY PART NUMBER	A	B	C	D	C	D	1	2	3	4	5	6	7	8	9	10	11	12	STATUS	COMMENTS	BACKSHELL WITH RIBS	BACKSHELL WITHOUT RIBS

BLOCKED TERMINAL
 CAVITY WITH A NUMBER INDICATES BLOCKED TERMINAL POSITION
 CAVITY WITHOUT A NUMBER INDICATES OPEN TERMINAL POSITION

STANDARD PLR	NATURAL	SPS/NYLON GF20
MAT SEAL	BURNT ORANGE	INHERENTLY LUBRICATED SILICONE
GROMMET CAP	BLACK	SPS/NYLON GF20
HOUSING KEYING OPTION D	STONE GRAY	SPS/NYLON GF20
HOUSING KEYING OPTION C	DARK GRAY	SPS/NYLON GF20
HOUSING KEYING OPTION D	GREEN	SPS/NYLON GF20
HOUSING KEYING OPTION C	BROWN	SPS/NYLON GF20
HOUSING KEYING OPTION B	LIGHT GRAY	SPS/NYLON GF20
HOUSING KEYING OPTION A	BLACK	SPS/NYLON GF20
DESCRIPTION	COLOR	MATERIAL

BOM/APPLICABLE COMPONENTS TABLE

ABBREVIATION	COMPONENT
A	HOUSING KEY A
B	HOUSING KEY B
C	HOUSING KEY C
D	HOUSING KEY D
GC	GROMMET CAP
M	MAT SEAL
P	PLR, STANDARD
BKS	BACKSHELL

ENTER DESCRIPTION IEC NO. UAU2014-0716 DRAWN BY CHYD APPR:VKOSHY 2013/11/06 2013/11/06	QUALITY SYMBOLS ▽=0 ▽=0 ▽=0	GENERAL TOLERANCES (UNLESS SPECIFIED) mm INCH 4 PLACES ±.010 ±.0004 3 PLACES ±.010 ±.0004 2 PLACES ±.010 ±.0004 1 PLACE ±.010 ±.0004 0 PLACE ±.010 ±.0004	DIMENSION STYLE MM ONLY	SCALE METRIC	DESIGN UNITS METRIC	THIRD ANGLE PROJECTION
	DRAWN BY DATE DGRIF ITHS 05-16-03 CHECKED BY DATE DGRIF ITHS 05-16-03 APPROVED BY DATE DGRIF ITHS 05-16-03	MATERIAL NO. SEE BOM	DOCUMENT NO. SD-33482-121	SHEET NO. 10 OF 11		

MX150 2X6 BLADE
 SEALED ASSEMBLY
 MAT SEAL
molex

ASSEMBLY DESCRIPTION	ASSEMBLY PART NUMBER	A	B	C	D	BLOCKED TERMINAL												STATUS	COMMENTS	BACKSHELL WITH RIBS	BACKSHELL WITHOUT RIBS
						1	2	3	4	5	6	7	8	9	10	11	12				
KEY A, BLACK	33482-1331	A																	34950-1210	34950-1220	
KEY A, BLACK	33482-1330	A																	34950-1210	34950-1220	
KEY C, DK.GRAY	33482-1329			C															34950-1210	34950-1220	
KEY C, DK.GRAY	33482-1328			C															34950-1210	34950-1220	
KEY A, BLACK	33482-1327	A																	34950-1210	34950-1220	
KEY A, BLACK	33482-1326	A																	34950-1210	34950-1220	
KEY A, BLACK	33482-1325	A																	34950-1210	34950-1220	
KEY A, BLACK	33482-1324	A																	34950-1210	34950-1220	
KEY A, BLACK	33482-1323	A																	34950-1210	34950-1220	

STANDARD PLR	NATURAL	SPS/NYLON GF20
MAT SEAL	BURNT ORANGE	INHERENTLY LUBRICATED SILICONE
GROMMET CAP	BLACK	SPS/NYLON GF20
HOUSING KEYING OPTION D	STONE GRAY	SPS/NYLON GF20
HOUSING KEYING OPTION C	DARK GRAY	SPS/NYLON GF20
HOUSING KEYING OPTION D	GREEN	SPS/NYLON GF20
HOUSING KEYING OPTION C	BROWN	SPS/NYLON GF20
HOUSING KEYING OPTION B	LIGHT GRAY	SPS/NYLON GF20
HOUSING KEYING OPTION A	BLACK	SPS/NYLON GF20
DESCRIPTION	COLOR	MATERIAL

BOM/APPLICABLE COMPONENTS TABLE

ABBREVIATION	COMPONENT
A	HOUSING KEY A
B	HOUSING KEY B
C	HOUSING KEY C
D	HOUSING KEY D
GC	GROMMET CAP
M	MAT SEAL
P	PLR, STANDARD
BKS	BACKSHELL

ENTER DESCRIPTION IEC NO. UAU2014-0716 DRAWN BY 2013/11/06 CHKD: APPR:VKOSHY 2013/11/06 REVISIONS:	QUALITY SYMBOLS ▽=0 ▽=0 ▽=0	GENERAL TOLERANCES (UNLESS SPECIFIED) mm INCH 4 PLACES ± --- ± --- 3 PLACES ± --- ± --- 2 PLACES ± 0.10 ± --- 1 PLACE ± 0.3 ± --- 0 PLACE ± ±	DIMENSION STYLE MM ONLY DRAWN BY DATE DGRIF ITHS 05-16-03 CHECKED BY DATE DGRIF ITHS 05-16-03 APPROVED BY DATE DGRIF ITHS 05-16-03	SCALE 2:1 DESIGN UNITS METRIC THIRD ANGLE PROJECTION	TITLE MX150 2X6 BLADE SEALED ASSEMBLY MAT SEAL molex MATERIAL NO. SEE BOM DOCUMENT NO. SD-33482-121	SHEET NO. 11 OF 11
	DRAFT WHERE APPLICABLE MUST REMAIN WITHIN DIMENSIONS					
	THIS DRAWING CONTAINS INFORMATION THAT IS PROPRIETARY TO MOLEX INCORPORATED AND SHOULD NOT BE USED WITHOUT WRITTEN PERMISSION					