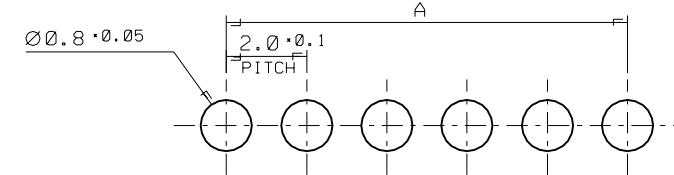
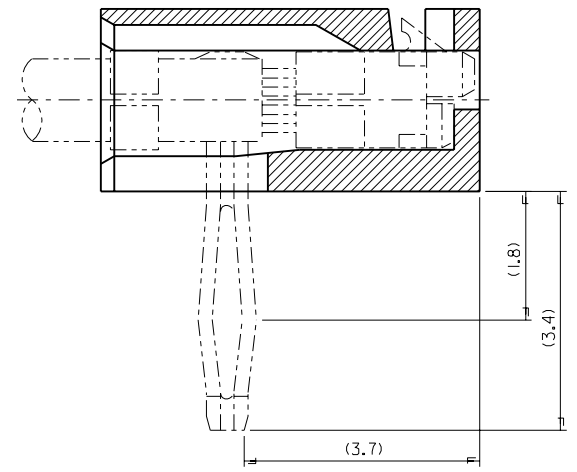
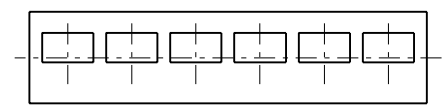
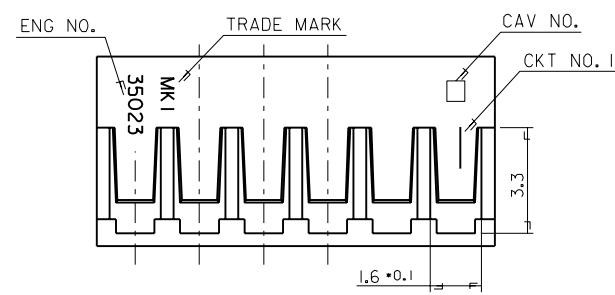
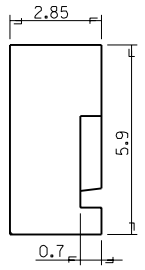
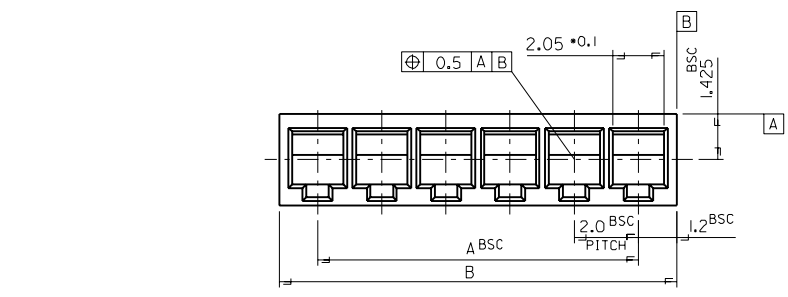


DWG. NO. SD 35023-*0**
 SIMILAR ITEM 35023-*0**
 PROJECT NO.
 DO NOT SCALE DRAWING DIMENSION IN METRIC



P.C. BOARD LAY OUT
(THK. : 1.6T)

- NOTE
- MATERIAL : NYLON 66 UL94V-0
 - APPLIED TERMINAL : 35021-I201/I301
 - PRODUCT SPECIFICATION : PS-35023

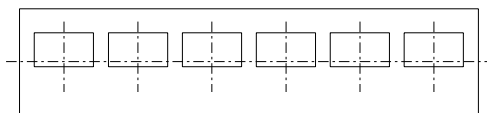
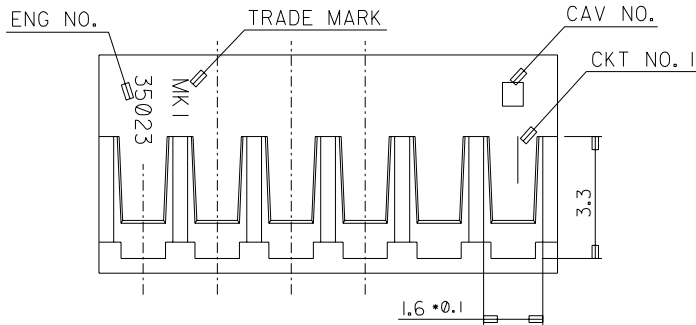
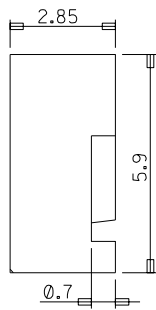
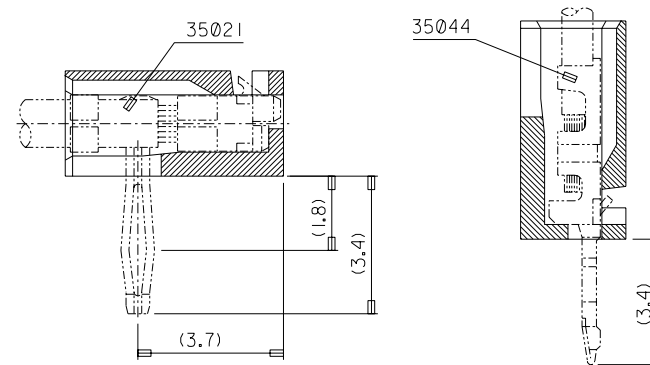
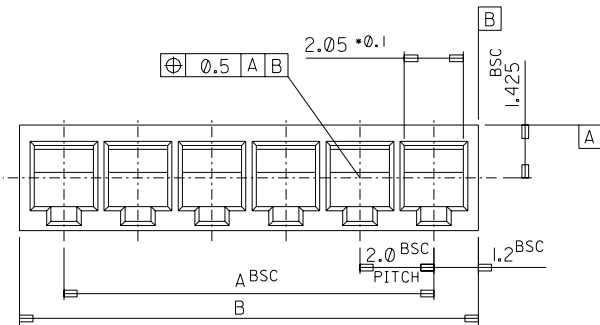
LEGEND

35023 - *0 ** CKT.(02,03,04....)

COLOR : 0 --- NATURAL
1 --- BLACK

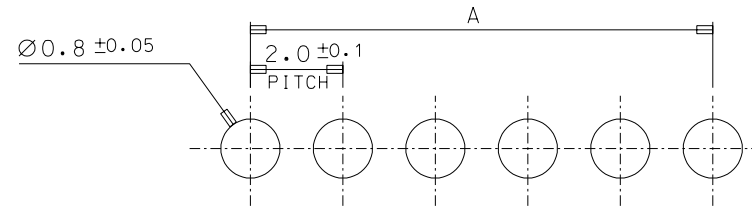
32.4	30.0	35023-*016	16	18.4	16.0	-*009	9	
30.4	28.0		-*015	15	14.4	12.0	-*008	8
28.4	26.0		-*014	14	12.4	10.0	-*006	6
26.4	24.0		-*013	13	10.4	8.0	-*005	5
24.4	22.0		-*012	12	8.4	6.0	-*004	4
22.4	20.0		-*011	11	6.4	4.0	-*003	3
20.4	18.0	-*010	10	4.4	2.0	35023-*002	2	
B	A	ENG NO.	CKT NO.	B	A	ENG NO.	CKT NO.	

REVISED EC NO. KOR.999-0007 DRWN: K.S.KIM(990111) CHK: J.K.OH APPR: C.W.LEE	QUALITY SYMBOLS MAJOR CRITICAL	GENERAL TOLERANCES: (UNLESS SPECIFIED)		SCALE 7-1	DESIGN UNITS <input checked="" type="checkbox"/> mm <input type="checkbox"/> INCH	DIMENSIONS: <input type="checkbox"/> mm <input type="checkbox"/> INCH <input checked="" type="checkbox"/> mm ONLY		SHT	REV
		4 PLACES	±0.	±.	DRAWN BY & DATE H.S.SHIN(931026)		TITLE: 2.0mm PITCH B-IN CONN. HOUSING(S/T)		
		3 PLACES	±0.	±.	CHECKED BY & DATE J.K.OH				
		2 PLACES	±0.	±.	APPROVED BY & DATE C.W.LEE		MOLEX INCORPORATED KOREA		SHEET NO. IOF1
1 PLACE	±0.3	±.	CAD FILENAME SD35023.DGN		MATERIAL NO. 35023-*0**				
REV		DESCRIPTION		DRAFT WHERE APPLICABLE MUST REMAIN WITHIN DIMENSIONS		THIS DRAWING CONTAINS INFORMATION THAT IS PROPRIETARY TO MOLEX INCORPORATED AND SHOULD NOT BE USED WITHOUT WRITTEN PERMISSION.		SIZE B	



RIGHT ANGLE TYPE

STRAIGHT TYPE



P.C. BOARD LAY OUT
(THK. : 1.6+)

NOTE

1. MATERIAL : NYLON 66 UL94V-0
2. APPLIED TERMINAL : 35021-1201/1301,35044
3. PRODUCT SPECIFICATION : PS-35023

LEGEND

35023 - *Ø**
 ———— CKT.(02,03,04....)
 ———— COLOR : Ø --- NATURAL
 |----- BLACK

REVISED
 KOR2004-0016
 K.S.KIM(030721)
 J.K.OH
 C.W.LEE

				18.4	16.0		-*009	9
32.4	30.0	35023-*016	16	16.4	14.0		-*008	8
30.4	28.0	-*015	15	14.4	12.0		-*007	7
28.4	26.0	-*014	14	12.4	10.0		-*006	6
26.4	24.0	-*013	13	10.4	8.0		-*005	5
24.4	22.0	-*012	12	8.4	6.0		-*004	4
22.4	20.0	-*011	11	6.4	4.0		-*003	3
20.4	18.0	-*010	10	4.4	2.0		35023-*002	2
B	A	ENG NO.	CKT NO.	B	A		ENG NO.	CKT NO.

7-1 X

H.S.SHIN(931026)

J.K.OH

C.W.LEE

SD35023.DGN

35023-00**

2.0mm PITCH
 B-IN CONN. HOUSING(S/T)

SD-35023-001

10F1