

LEGEND

SD-35362-****

CTK NO. _____ COLOR _____

FINAL GOOD (BULK) — 5 : SELECTIVE KINK (LEAD FREE)
 — 6 : NONE KINK (LEAD FREE)

SUB ASSY (TUBE) — 7 : SELECTIVE KINK (LEAD FREE)
 — 8 : NONE KINK (LEAD FREE)

COLOR

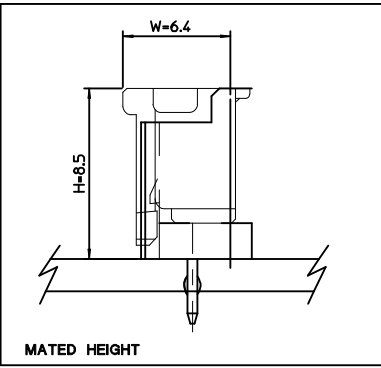
- 0 : NATURAL
- 1 : BLACK
- 2 : RED
- 3 : YELLOW
- 4 : BLUE
- 5 : GREEN
- 6 : TUBE PACKING (Natural Color)
- 7 : TUBE PACKING (Red Color)
- 8 : TUBE PACKING (Blue Color)

NOTES

- MATERIAL : UNFILLED POLYAMIDE, UL94V-0
PIN : BRASS . TIN PLATED
- FINISHES : TERMINAL : Sn 2-3um OVERALL
- PRODUCT SPECIFICATION : PS-35507-003
- MATING HOUSING : 35507-**0*
MATING TERMINAL : 50212-8000
- KINK

CKT NO	1	2	3	4	5	N-2	N-1	N
6 CKT OVER	-	A	B	-	-	B	A	-
5 CKT	A	B	-	B	A			
4 CKT	A	B	B	A				

31.3	28	32.3	3536215**	35362-15**	15
29.3	26	30.3	3536214**	35362-14**	14
27.3	24	28.3	3536213**	35362-13**	13
25.3	22	26.3	3536212**	35362-12**	12
23.3	20	24.3	3536211**	35362-11**	11
21.3	18	22.3	3536210**	35362-10**	10
19.3	16	20.3	3536209**	35362-09**	9
17.3	14	18.3	3536208**	35362-08**	8
15.3	12	16.3	3536207**	35362-07**	7
13.3	10	14.3	3536206**	35362-06**	6
11.3	8	12.3	3536205**	35362-05**	5
9.3	6	10.3	3536204**	35362-04**	4
(C)	B	(A)	ENG. NO.	ENG. NO.	CKT



LEAD FREE

30 over	±0.3
10 over 30 under	±0.25
10 under	±0.2
ANGLE	±3°
GENERAL TOLERANCE	

REVISED

EC NO: KOR2009-0123 2009/03/09
 DRWN:HJEONG
 CHKD:YSOOKIM 2009/03/10
 APPR:YUNJIKIM 2009/03/11

QUALITY SYMBOLS

▽=0
 ◁=0

GENERAL TOLERANCES (UNLESS SPECIFIED)

	mm	INCH
4 PLACES	±---	±---
3 PLACES	±---	±---
2 PLACES	±---	±---
1 PLACE	±---	±---

ANGULAR ±---°

DRAFT WHERE APPLICABLE MUST REMAIN WITHIN DIMENSIONS

DIMENSION STYLE MM ONLY

DRAWN BY YSOOKIM DATE 1996/09/11

CHECKED BY YSOOKIM DATE 1996/09/11

APPROVED BY CWLEE DATE 1996/09/11

MATERIAL NO. SEE TABLEE

SCALE 5:1

DESIGN UNITS METRIC

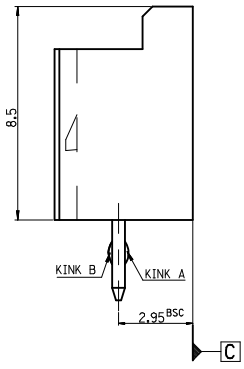
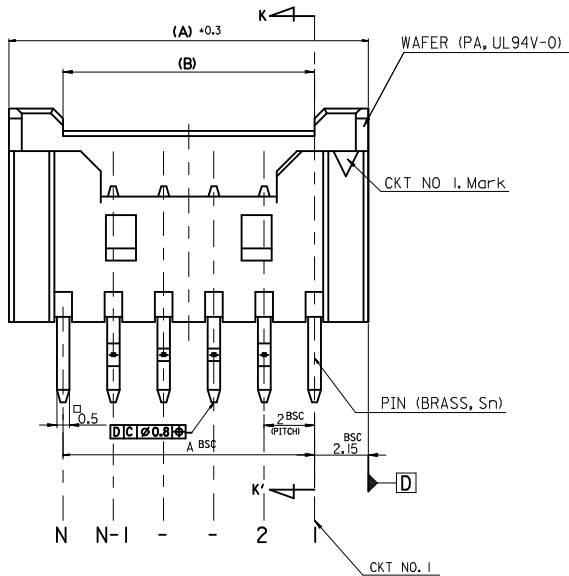
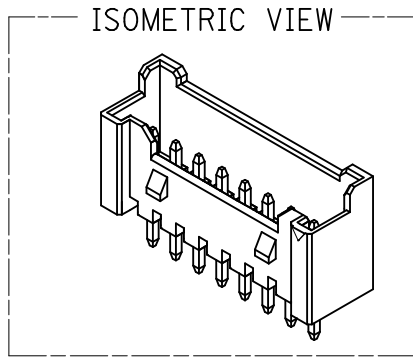
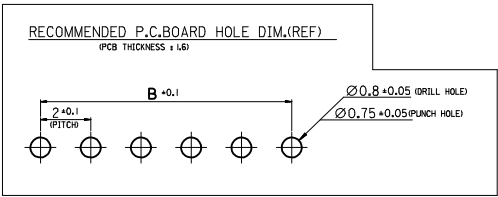
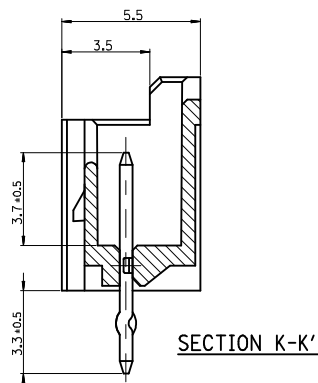
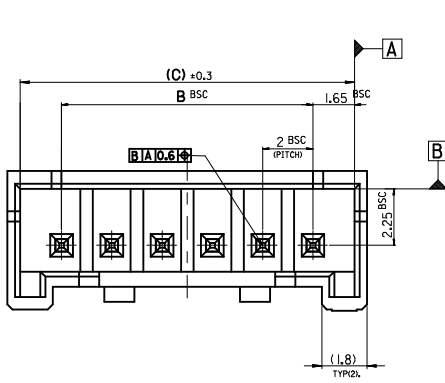
THIRD ANGLE PROJECTION

TITLE 2.0 W/B WAFER ASS'Y -LEAD FREE-

MOLEX MOLEX INCORPORATED

DOCUMENT NO. SD-35362-002 SHEET NO. 1 OF 3

THIS DRAWING CONTAINS INFORMATION THAT IS PROPRIETARY TO MOLEX INCORPORATED AND SHOULD NOT BE USED WITHOUT WRITTEN PERMISSION



LEGEND

SD-35362-***
 CKT NO. — COLOR

- 0 : NATURAL
- 1 : BLACK
- 2 : RED
- 3 : YELLOW
- 4 : BLUE
- 5 : GREEN
- 6 : TUBE PACKING (Natural Color)
- 7 : TUBE PACKING (Red Color)
- 8 : TUBE PACKING (Blue Color)

FINAL GOOD (BULK) — 5 : SELECTIVE KINK (LEAD FREE)
 — 6 : NONE KINK (LEAD FREE)

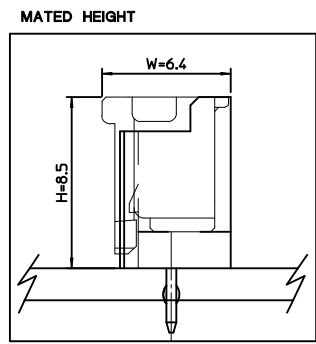
SUB ASSY (TUBE) — 7 : SELECTIVE KINK (LEAD FREE)
 — 8 : NONE KINK (LEAD FREE)

NOTES

- MATERIAL : WAFER : UNFILLED POLYAMIDE, UL94V-0
PIN : BRASS
- FINISHES : TERMINAL : Sn 2.3um OVERALL
- PRODUCT SPECIFICATION : PS-35507-003
- MATING HOUSING : 35507-***0*
MATING TERMINAL : 50212-8000
- KINK

CKT	CKT NO	1	2	3	-	N-2	N-1	N
		A	B	-	-	B	A	-
16±20	CKT	-	A	B	-	-	B	A

41.3	38	42.3	3536220**	35362-20**	20
39.3	36	40.3	3536219**	35362-19**	19
37.3	34	38.3	3536218**	35362-18**	18
35.3	32	36.3	3536217**	35362-17**	17
33.3	30	34.3	3536216**	35362-16**	16
(C)	B	(A)	MATERIAL NO.	ENG. NO.	CKT



LEAD FREE

30 over	±0.3
10 over 30 under	±0.25
10 under	±0.2
ANGLE	±3°
GENERAL TOLERANCE	

REVISED
 EC NO: KOR2009-0123
 DRWN:HJEONG 2009/03/09
 CHKD:YSOOKIM 2009/03/10
 APPR:YUNS IKKIM 2009/03/11

QUALITY SYMBOLS
 ▽=0
 ▽=0

GENERAL TOLERANCES (UNLESS SPECIFIED)

	mm	INCH
4 PLACES	±---	±---
3 PLACES	±---	±---
2 PLACES	±---	±---
1 PLACE	±---	±---
ANGULAR	±---°	

DRAFT WHERE APPLICABLE MUST REMAIN WITHIN DIMENSIONS

DIMENSION STYLE
MM ONLY

SCALE
5:1

DESIGN UNITS
METRIC

THIRD ANGLE PROJECTION

DRAWN BY
 YSOOKIM 1996/09/11

CHECKED BY
 JKOH 1996/09/11

APPROVED BY
 CWLEE 1996/09/11

MATERIAL NO.
SEE TABLE

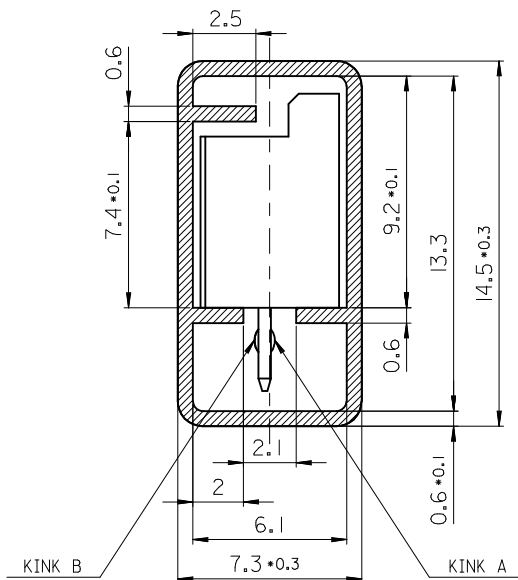
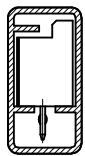
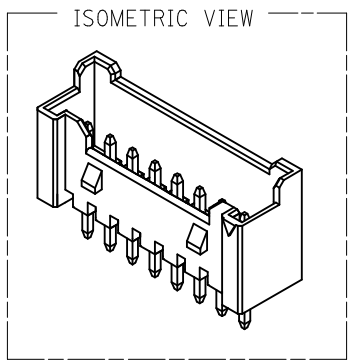
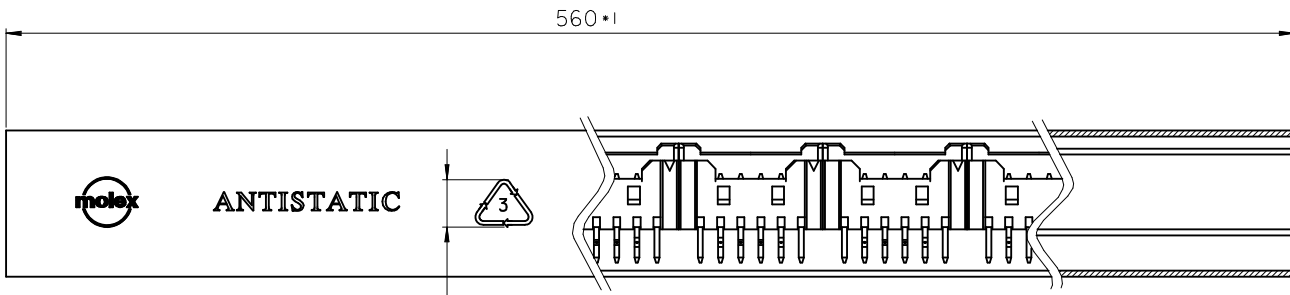
TITLE
2.0 W/B WAFER ASS'Y -LEAD FREE-

MOLEX INCORPORATED

DOCUMENT NO.
SD-35362-002

SHEET NO.
3 OF 3

THIS DRAWING CONTAINS INFORMATION THAT IS PROPRIETARY TO MOLEX INCORPORATED AND SHOULD NOT BE USED WITHOUT WRITTEN PERMISSION



LEGEND.

E-35362-*** **

2-20 Circuits [CKT NO.]

Final GOOD (Bulk) [5 : SELECTIVE KINK, 6 : NONE KINK]

Sub Assy (Tube) [7 : SELECTIVE KINK, 8 : NONE KINK]

[KINK]

COLOR & PACKING

- 0 : NATURAL
- 1 : BLACK
- 2 : RED
- 3 : YELLOW
- 4 : BLUE
- 5 : GREEN
- 6 : TUBE PACKING (Natural Color)
- 7 : TUBE PACKING (RED Color)
- 8 : TUBE PACKING (BLUE Color)

[B]

NOTES

- MATERIAL : TUBE - TRANSLUCENT P.V.C (P-1000)
Wafer - POLYAMIDE, UL94V-0
PIN - BRASS SQ 0.5mm
- BOW(CAMBER): 1.0mm MAX/Total Length
- DIMENSIONS GIVEN ACROSS CENTER LINES ARE SYMMETRICAL ABOUT THOSE CENTER LINES WITH HALF THE TOTAL LENGTH.
- TOTAL TUBE LENGTH : 560mm + -1mm
- TWIST : 5° MAX./Total Length
- BURRS : 0.2mm MAX.
- SKREW : PRODUCTS MUST BE FLOWED SMOOTHLY WHEN THIS STICK IS PLACES 30° ANGLE.
- THICKNESS : 0.6mm + -0.1mm
- ARTWORK : PER E-35900-0434 (SILK SCREEN COLOR : RED)
- APPLICABLE STOPPER(RUBBER) : 35900-0435

TABLE

10	20**	-20**	20
10	19**	-19**	19
10	18**	-18**	18
10	17**	-17**	17
15	16**	-16**	16
15	15**	-15**	15
15	14**	-14**	14
15	13**	-13**	13
15	12**	-12**	12
20	11**	-11**	11
20	10**	-10**	10
25	09**	-09**	9
25	08**	-08**	8
30	07**	-07**	7
35	06**	-06**	6
40	05**	-05**	5
50	04**	-04**	4
60	03**	-03**	3
70	3536202**	35362-02**	2
QT'y	Material NO.	ENG. NO.	CKT

KINK TABLE(FOR 35362-****)

CKT NO	1	2	3	4	5	N-2	N-1	N
6 CKT OVER	-	A	B	-	-	B	A	-
5 CKT	A	B	-	B	A			
4 CKT	A	B	B	A				
3 CKT	A	B	A					
2 CKT	-							

** 35362-0287 IS ONLY KINKED 2P

CKT NO	1	2
35362-0287	A	B

LEAD FREE

REVISED EC NO: KOR2009-0123 DRWN:HJEONG 2009/03/09 CHKD:YSOOKIM 2009/03/10 APPR:YUNSIKKIM 2009/03/11	QUALITY SYMBOLS ▽=0 ◻=0	GENERAL TOLERANCES (UNLESS SPECIFIED)		DIMENSION STYLE MM ONLY		SCALE 5:1	DESIGN UNITS METRIC	THIRD ANGLE PROJECTION	
		mm	INCH	DRAWN BY YSOOKIM	DATE 2000/12/11	TITLE 2.0 W/B WAFER ASS'Y TUBE PACKING -LEAD FREE-			
REV B	DESCRIPTION	4 PLACES	± ---	± ---	CHECKED BY JKOH	DATE 2000/12/11	MOLEX INCORPORATED		
		3 PLACES	± ---	± ---	APPROVED BY CWLEE	DATE 2000/12/11	DOCUMENT NO. SD-35362-003		SHEET NO. 1 OF 1
		2 PLACES	± ---	± ---	SEE TABLE				
		1 PLACE	± 0.2	± ---	THIS DRAWING CONTAINS INFORMATION THAT IS PROPRIETARY TO MOLEX INCORPORATED AND SHOULD NOT BE USED WITHOUT WRITTEN PERMISSION				
		ANGULAR ± 1°							
		DRAFT WHERE APPLICABLE MUST REMAIN WITHIN DIMENSIONS							