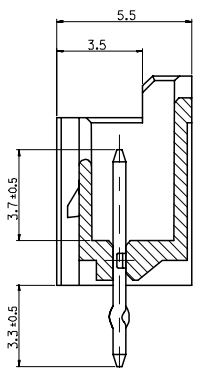
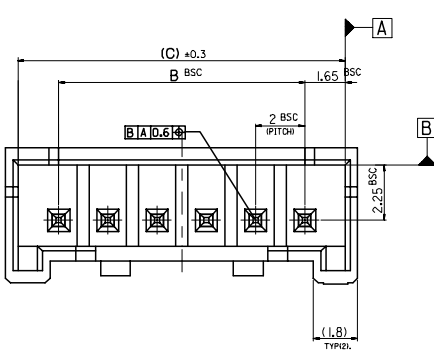
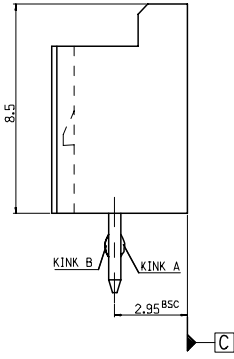
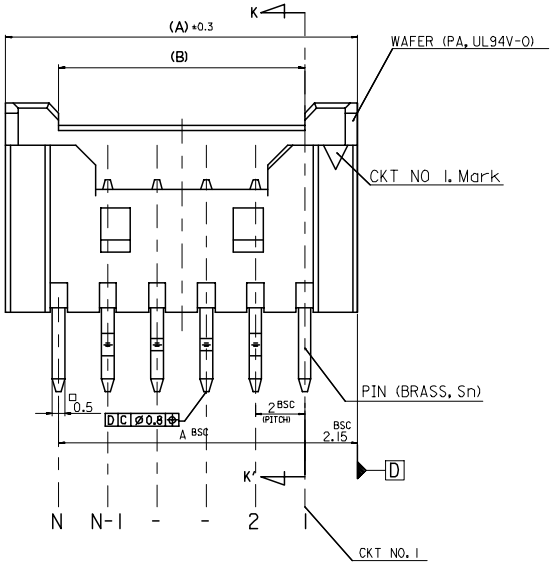
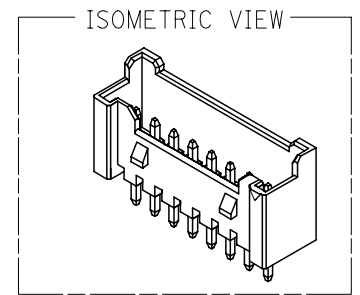
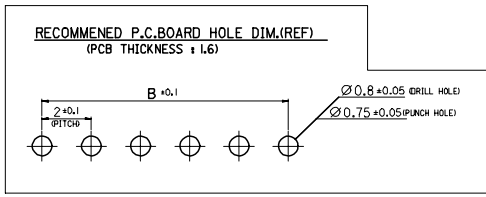


10 9 8 7 6 5 4 3 2 1



SECTION K-K'



**LEGEND**

SD-35362-\*\*\*\*

CTK NO. \_\_\_\_\_ COLOR \_\_\_\_\_

FINAL GOOD (BULK) 5 : SELECTIVE KINK (LEAD FREE)  
6 : NONE KINK (LEAD FREE)

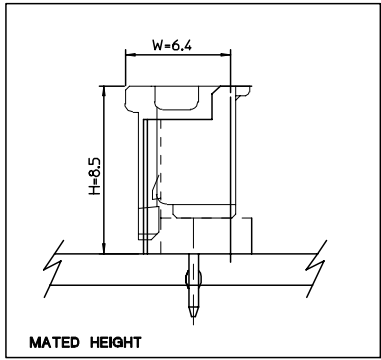
SUB ASSY (TUBE) 7 : SELECTIVE KINK (LEAD FREE)  
8 : NONE KINK (LEAD FREE)

0 : NATURAL  
1 : BLACK  
2 : RED  
3 : YELLOW  
4 : BLUE  
5 : GREEN  
6 : TUBE PACKING (Natural Color)  
7 : TUBE PACKING (Red Color)  
8 : TUBE PACKING (Blue Color)

- NOTES**
1. MATERIAL : UNFILLED POLYAMIDE, UL94V-0  
PIN : BRASS, TIN PLATED
  2. FINISHES : TERMINAL : Sn 2-3um OVERALL
  3. PRODUCT SPECIFICATION : PS-35507-003
  4. MATING HOUSING : 35507-\*\*\*0  
MATING TERMINAL : 50212-8000
  5. KINK

CKT NO	1	2	3	4	5	N-2	N-1	N
6 CKT OVER	-	A	B	-	-	B	A	-
5 CKT	A	B	-	B	A			
4 CKT	A	B	B	A				

31.3	28	32.3	3536215**	35362-15**	15
29.3	26	30.3	3536214**	35362-14**	14
27.3	24	28.3	3536213**	35362-13**	13
25.3	22	26.3	3536212**	35362-12**	12
23.3	20	24.3	3536211**	35362-11**	11
21.3	18	22.3	3536210**	35362-10**	10
19.3	16	20.3	3536209**	35362-09**	9
17.3	14	18.3	3536208**	35362-08**	8
15.3	12	16.3	3536207**	35362-07**	7
13.3	10	14.3	3536206**	35362-06**	6
12.3	8	12.3	3536205**	35362-05**	5
9.3	6	10.3	3536204**	35362-04**	4
.	.	.	ENG. NO.	ENG. NO.	CKT



**LEAD FREE**

30 over	±0.3
10 over 30 under	±0.25
10 under	±0.2
ANGLE	±3°
GENERAL TOLERANCE	

REVISED  
EC NO: KOR2007-0144  
DRWN:HJEONG 2007/05/11  
CHKD:YSOOKIM 2007/05/22  
APPR:YUNSIKKIM 2007/05/29

QUALITY SYMBOLS  
▽=0  
△=0

GENERAL TOLERANCES (UNLESS SPECIFIED)

	mm	INCH
4 PLACES	±---	±---
3 PLACES	±---	±---
2 PLACES	±---	±---
1 PLACE	±---	±---
ANGULAR		±---°

DRAFT WHERE APPLICABLE  
MUST REMAIN WITHIN DIMENSIONS

DIMENSION STYLE  
MM ONLY

DRAWN BY YSOOKIM DATE 1996/09/11  
CHECKED BY DATE  
YSOOKIM 1996/09/11  
APPROVED BY DATE  
CWLEE 1996/09/11

MATERIAL NO.  
ENTER PART

SIZE A3

SCALE 5:1  
DESIGN UNITS METRIC  
THIRD ANGLE PROJECTION

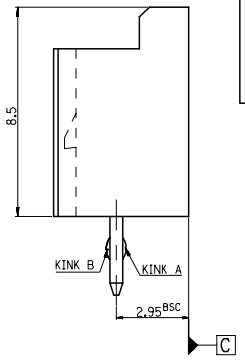
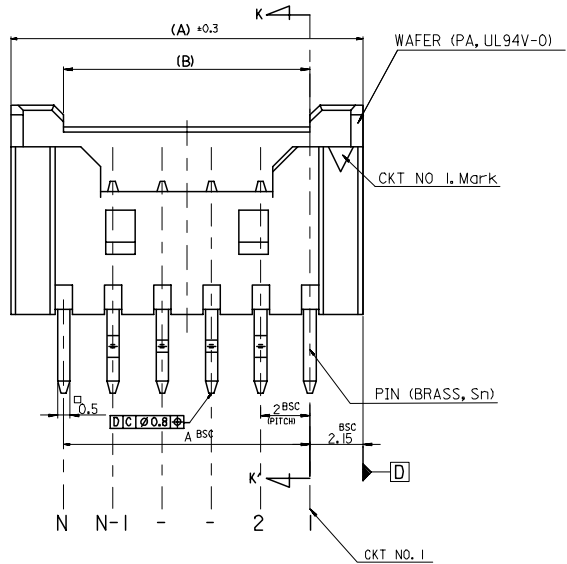
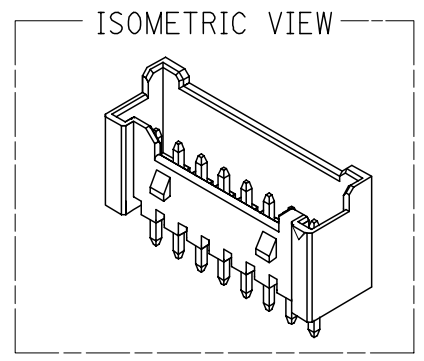
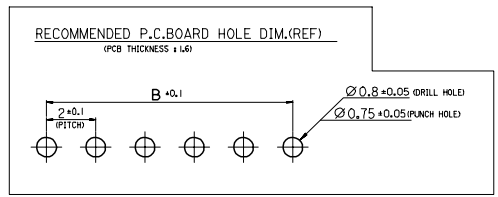
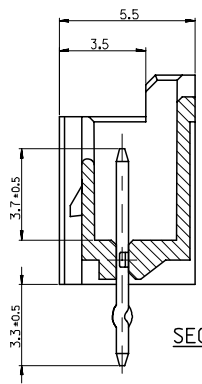
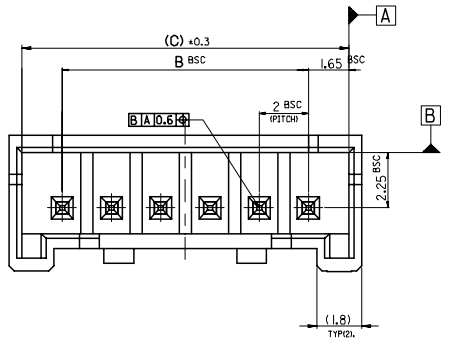
TITLE 2.0 W/B WAFER ASS'Y -LEAD FREE-

MOLEX MOLEX INCORPORATED

DOCUMENT NO. SD-35362-002 SHEET NO. 1 OF 3

THIS DRAWING CONTAINS INFORMATION THAT IS PROPRIETARY TO MOLEX INCORPORATED AND SHOULD NOT BE USED WITHOUT WRITTEN PERMISSION

9 8 7 6 5 4 3 2 1



**LEGEND**

SD-35362-\*\*\*\*

CKT NO. COLOR

FINAL GOOD (BULK) 5 : SELECTIVE KINK (LEAD FREE)  
6 : NONE KINK (LEAD FREE)

SUB ASSY (TUBE) 7 : SELECTIVE KINK (LEAD FREE)  
8 : NONE KINK (LEAD FREE)

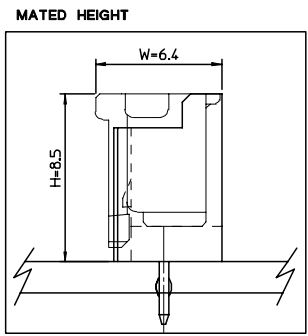
0 : NATURAL  
1 : BLACK  
2 : RED  
3 : YELLOW  
4 : BLUE  
5 : GREEN  
6 : TUBE PACKING (Natural Color)  
7 : TUBE PACKING (Red Color)  
8 : TUBE PACKING (Blue Color)

**NOTES**

- 1. MATERIAL : WAFER : UNFILLED POLYAMIDE, UL94V-0  
PIN : BRASS
- 2. FINISHES : TERMINAL : Sn 2.3um OVERALL
- 3. PRODUCT SPECIFICATION : PS-35507-003
- 4. MATING HOUSING : 35507-\*\*0\*  
MATING TERMINAL : 50212-8000
- 5. KINK

CKT	CKT NO	1	2	3	-	-	N-2	N-1	N
16±20 CKT	-	A	B	-	-	-	B	A	-

41.3	38	42.3	3536220**	35362-20**	20
39.3	36	40.3	3536219**	35362-19**	19
37.3	34	38.3	3536218**	35362-18**	18
35.3	32	36.3	3536217**	35362-17**	17
33.3	30	34.3	3536216**	35362-16**	16
(C)	.	.	MATERIAL NO.	ENG. NO.	CKT



**LEAD FREE**

30 over	±0.3
10 over 30 under	±0.25
10 under	±0.2
ANGLE	±3°
<b>GENERAL TOLERANCE</b>	

REVISED EC NO: KOR2007-0144  
 DRWN:HJEONG 2007/05/11  
 CHKD:YSOOKIM 2007/05/22  
 APPR:YUNSIKKIM 2007/05/30

QUALITY SYMBOLS  
 ▽=0  
 ▽=0

**GENERAL TOLERANCES (UNLESS SPECIFIED)**

	mm	INCH
4 PLACES	±---	±---
3 PLACES	±---	±---
2 PLACES	±---	±---
1 PLACE	±---	±---
ANGULAR	±---°	

DRAFT WHERE APPLICABLE MUST REMAIN WITHIN DIMENSIONS

**DIMENSION STYLE MM ONLY**

DRAWN BY YSOOKIM DATE 1996/09/11  
 CHECKED BY JKOH DATE 1996/09/11  
 APPROVED BY CWLEE DATE 1996/09/11

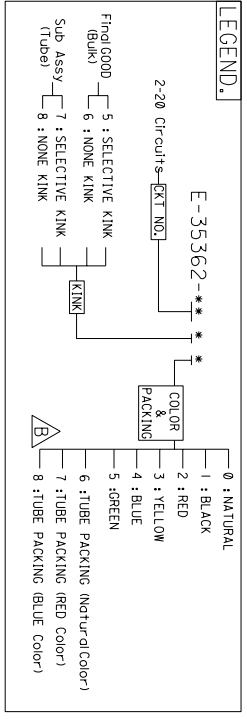
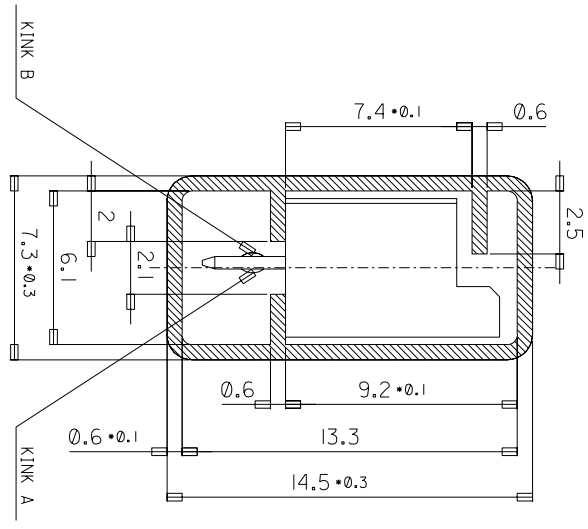
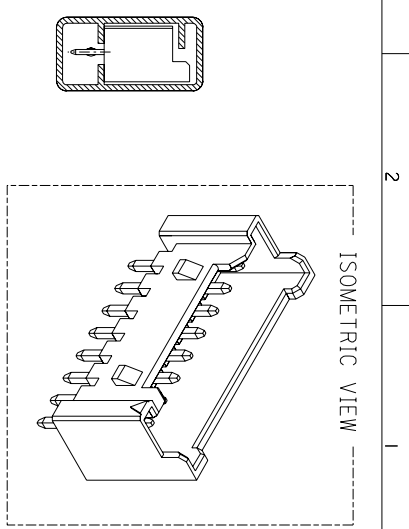
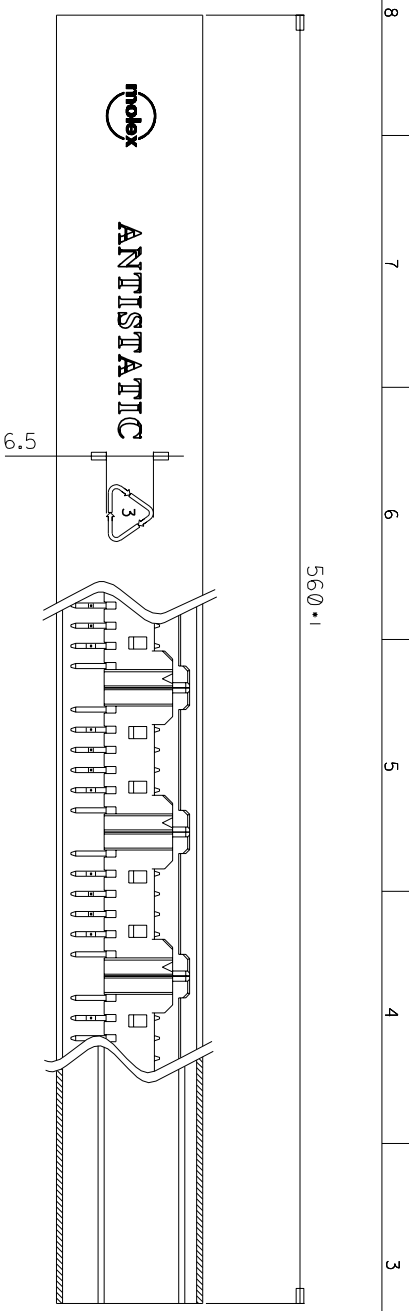
SCALE 5:1  
 DESIGN UNITS METRIC  
 THIRD ANGLE PROJECTION

2.0 W/B WAFER ASS'Y -LEAD FREE-

**MOLEX INCORPORATED**

ENTER PART SD-35362-002 SHEET NO. 3 OF 3

THIS DRAWING CONTAINS INFORMATION THAT IS PROPRIETARY TO MOLEX INCORPORATED AND SHOULD NOT BE USED WITHOUT WRITTEN PERMISSION



NOTES

1. MATERIAL : TUBE - TRANSLUCENT P.V.C (P-1000)  
Water - POLYAMIDE, UL94V-0  
PIN - BRASS SQ 0.5mm
2. BOW/CAMBER : 1.0mm MAX./Total length
3. DIMENSIONS GIVEN ACROSS CENTER LINES ARE SYMMETRICAL ABOUT THOSE CENTER LINES WITH HALF THE TOTAL LENGTH.
4. TOTAL TUBE LENGTH : 560mm ± 1mm
5. TWIST : 5° MAX./Total Length
6. BURRS : 0.2mm MAX.
7. SKEW : PRODUCTS MUST BE FLOWED SMOOTHLY WHEN THIS STICK IS PLACES 30° ANGLE.
8. THICKNESS : 0.6mm ± 0.1mm
9. ARTWORK : PER E-35900-0434 (SILK SCREEN COLOR : RED)
10. APPLICABLE STOPPER(RUBBER) : 35900-0435

LEAD FREE

KINK TABLE(FOR 35362-\*\*\*\*)

CKT NO	1	2	3	4	5	N-2	N-1	N
6 CKT OVER	-	A	B	-	-	B	A	-
5 CKT	A	B	-	B	A	-	-	-
4 CKT	A	B	B	A	-	-	-	-
3 CKT	A	B	A	-	-	-	-	-
2 CKT	None Kink	-	-	-	-	-	-	-

RELEASED  
EC NO. KOR2004-0137  
DRWN: YSookIM 04/02/25  
CHK: YUNSIKIM  
APPR: C.W.LEE

REV	DESCRIPTION
A	

QUALITY SYMBOLS	GENERAL TOLERANCES: (UNLESS SPECIFIED)
MAJOR =	MM INCH
CRITICAL =	MM INCH
	ANGULAR: ± 1 °

SCALE	DESIGN UNITS
5 : 1	<input checked="" type="checkbox"/> MM <input type="checkbox"/> INCH
DRAWN BY & DATE	CHECKED BY & DATE
Y.SOOKIM 00/12/11	J.K.OH
APPROVED BY & DATE	CAD FILENAME
C.W.LEE	SD35362-003.DGN

TITLE:	MATERIAL NO.	DRAWING NO.	SHT	REV
TUBE PACKAGING FOR 35362-****(LEAD FREE)	MOLEX	SD-35362-003	1 of 1	B

TABLE

OT'y	Material NO.	ENG. NO.	CKT
10	20***	-20***	20
10	19***	-19***	19
10	18***	-18***	18
10	17***	-17***	17
15	16***	-16***	16
15	15***	-15***	15
15	14***	-14***	14
15	13***	-13***	13
15	12***	-12***	12
20	11***	-11***	11
20	10***	-10***	10
25	09***	-09***	9
25	08***	-08***	8
30	07***	-07***	7
35	06***	-06***	6
40	05***	-05***	5
50	04***	-04***	4
60	03***	-03***	3
70	3536202**	35362-02**	2