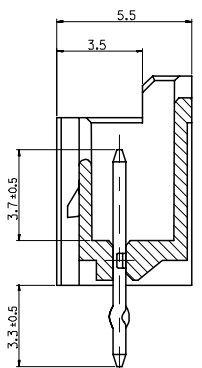
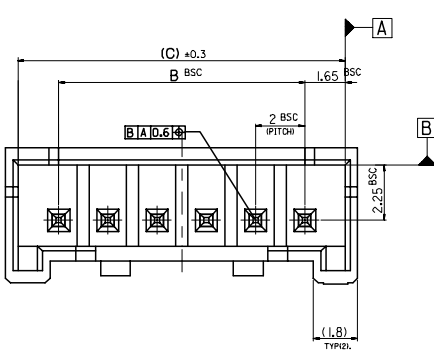
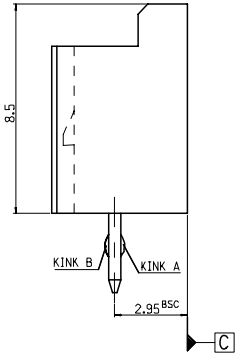
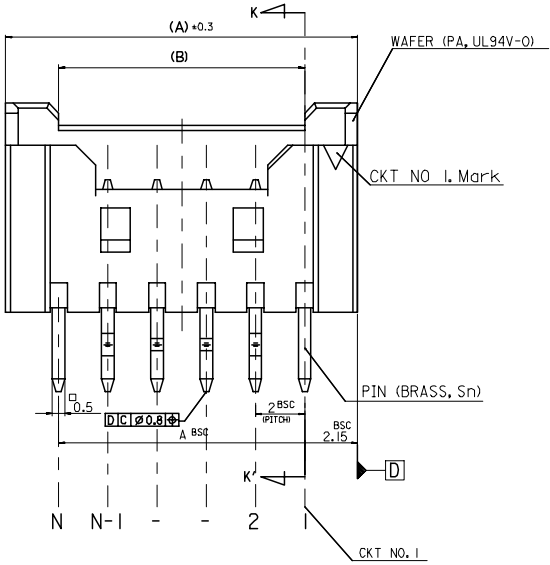
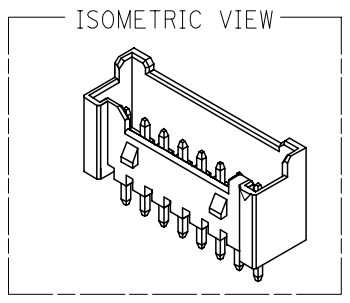
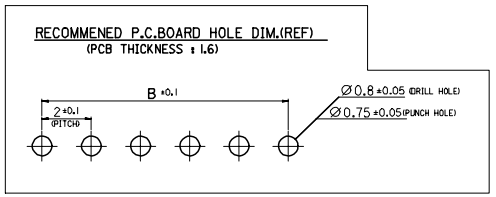


10 9 8 7 6 5 4 3 2 1



SECTION K-K'



LEGEND

SD-35362-****

CKT NO. COLOR

- 0 : NATURAL
- 1 : BLACK
- 2 : RED
- 3 : YELLOW
- 4 : BLUE
- 5 : GREEN
- 6 : TUBE PACKING (Natural Color)
- 7 : TUBE PACKING (Red Color)
- 8 : TUBE PACKING (Blue Color)

FINAL GOOD (BULK) 5 : SELECTIVE KINK (LEAD FREE)
6 : NONE KINK (LEAD FREE)

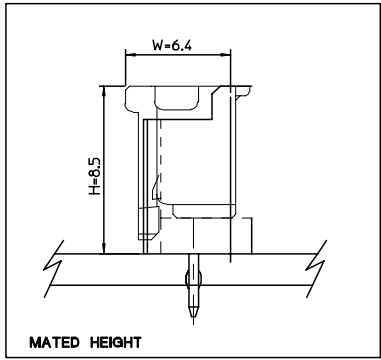
SUB ASSY (TUBE) 7 : SELECTIVE KINK (LEAD FREE)
8 : NONE KINK (LEAD FREE)

NOTES

1. MATERIAL : UNFILLED POLYAMIDE, UL94V-0
PIN : BRASS, TIN PLATED
2. FINISHES : TERMINAL : Sn 2-3um OVERALL
3. PRODUCT SPECIFICATION : PS-35507-003
4. MATING HOUSING : 35507-***0
MATING TERMINAL : 50212-8000
5. KINK

CKT NO	1	2	3	4	5	N-2	N-1	N
6 CKT OVER	-	A	B	-	-	B	A	-
5 CKT	A	B	-	B	A			
4 CKT	A	B	B	A				

31.3	28	32.3	3536215**	35362-15**	15
29.3	26	30.3	3536214**	35362-14**	14
27.3	24	28.3	3536213**	35362-13**	13
25.3	22	26.3	3536212**	35362-12**	12
23.3	20	24.3	3536211**	35362-11**	11
21.3	18	22.3	3536210**	35362-10**	10
19.3	16	20.3	3536209**	35362-09**	9
17.3	14	18.3	3536208**	35362-08**	8
15.3	12	16.3	3536207**	35362-07**	7
13.3	10	14.3	3536206**	35362-06**	6
12.3	8	12.3	3536205**	35362-05**	5
9.3	6	10.3	3536204**	35362-04**	4
.	.	.	ENG. NO.	ENG. NO.	CKT



LEAD FREE

30 over	±0.3
10 over 30 under	±0.25
10 under	±0.2
ANGLE	±3°
GENERAL TOLERANCE	

REVISED
EC NO: KOR2007-0144
DRWN:HJEONG 2007/05/11
CHKD:YSOOKIM 2007/05/22
APPR:YUNSIKKIM 2007/05/29

QUALITY SYMBOLS
▽=0
△=0

GENERAL TOLERANCES (UNLESS SPECIFIED)

	mm	INCH
4 PLACES	±---	±---
3 PLACES	±---	±---
2 PLACES	±---	±---
1 PLACE	±---	±---
ANGULAR ±---°		

DRAFT WHERE APPLICABLE
MUST REMAIN WITHIN DIMENSIONS

DIMENSION STYLE
MM ONLY

DRAWN BY YSOOKIM DATE 1996/09/11
CHECKED BY DATE 1996/09/11
APPROVED BY CWLEE DATE 1996/09/11

MATERIAL NO.
ENTER PART

SCALE 5:1
DESIGN UNITS METRIC
THIRD ANGLE PROJECTION

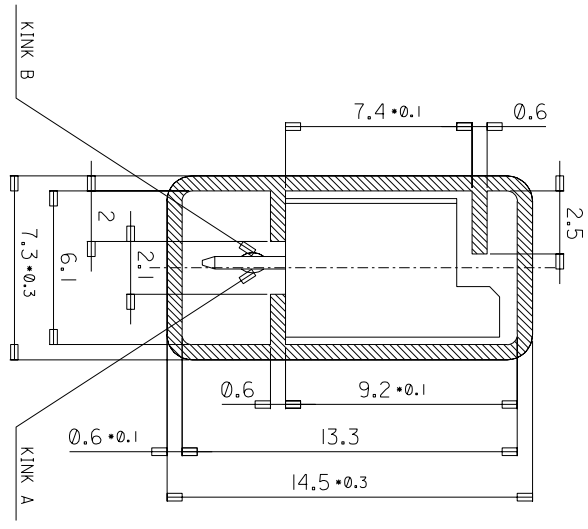
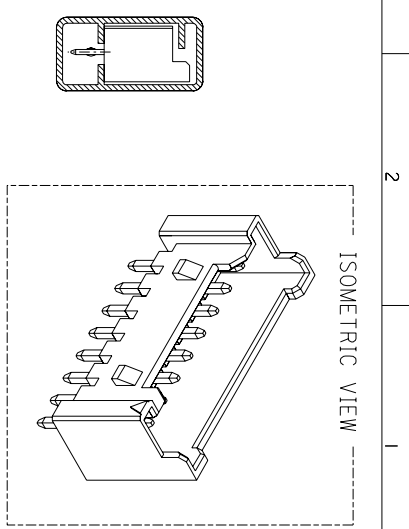
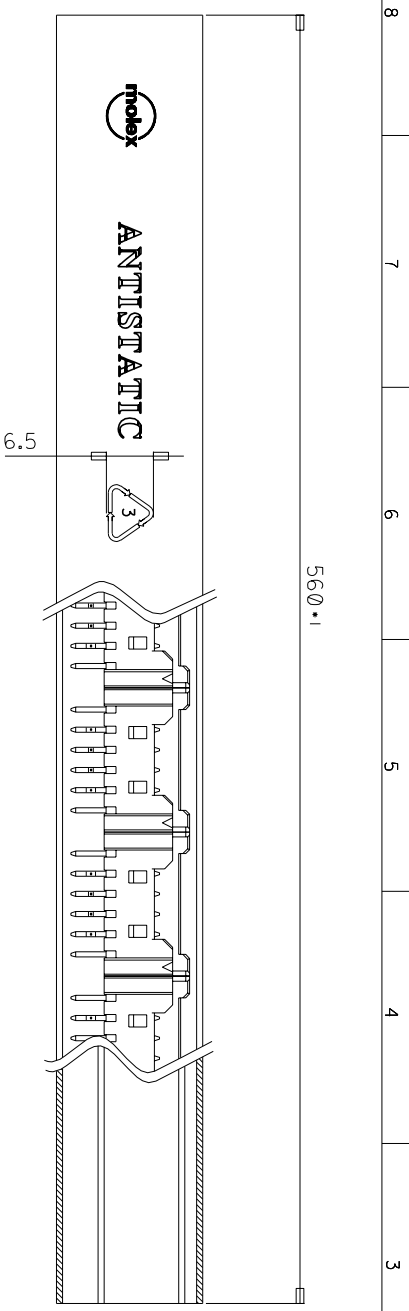
TITLE 2.0 W/B WAFER ASS'Y -LEAD FREE-

MOLEX MOLEX INCORPORATED

DOCUMENT NO. SD-35362-002 SHEET NO. 1 OF 3

THIS DRAWING CONTAINS INFORMATION THAT IS PROPRIETARY TO MOLEX INCORPORATED AND SHOULD NOT BE USED WITHOUT WRITTEN PERMISSION

9 8 7 6 5 4 3 2 1



LEGEND.

E-35362-***

2-20 Circuit KTK NO.

Final Color (Bulk) 5 : SELECTIVE KINK
6 : NONE KINK
Sud Assy (Tube) 7 : SELECTIVE KINK
8 : NONE KINK

COLOR & PACKING

0 : NATURAL
1 : BLACK
2 : RED
3 : YELLOW
4 : BLUE
5 : GREEN
6 : TUBE PACKING (natural color)
7 : TUBE PACKING (RED color)
8 : TUBE PACKING (BLUE color)

NOTES

- MATERIAL : TUBE - TRANSLUCENT P.V.C (P-1000)
Water - POLYAMIDE, UL94V-0
PIN - BRASS SQ 0.5mm
- BOW/CAMBER : 1.0mm MAX./Total length
- DIMENSIONS GIVEN ACROSS CENTER LINES ARE SYMMETRICAL ABOUT THOSE CENTER LINES WITH HALF THE TOTAL LENGTH.
- TOTAL TUBE LENGTH : 560mm ± 1mm
- TWIST : 5° MAX./Total Length
- BURRS : 0.2mm MAX.
- SKEW : PRODUCTS MUST BE FLOWED SMOOTHLY WHEN THIS STICK IS PLACES 30° ANGLE.
- THICKNESS : 0.6mm ± 0.1mm
- ARTWORK : PER E-35900-0434
(SILK SCREEN COLOR : RED)
- APPLICABLE STOPPER(RUBBER) : 35900-0435

LEAD FREE

KINK TABLE(FOR 35362-****)

CKT NO	1	2	3	4	5	N-2	N-1	N
6 CKT OVER	-	A	B	-	-	B	A	-
5 CKT	A	B	-	B	A	-	-	-
4 CKT	A	B	B	A	-	-	-	-
3 CKT	A	B	A	-	-	-	-	-
2 CKT	None Kink	-	-	-	-	-	-	-

RELEASED
EC NO. KOR2004-0137
DRWN: YSOOKIM 04/02/25
CHK: YUNSIKKIM
APPR: C.W.LEE

REV	DESCRIPTION	QUALITY SYMBOLS	GENERAL TOLERANCES: (UNLESS SPECIFIED)	SCALE	DESIGN UNITS	TITLE:	MATERIAL NO.	DRAWING NO.	SHT	REV
A		MAJOR = CRITICAL =	MM INCH ±0.1 ±0.1 ±0.1 ±0.1 ±0.2 ±0.1 ANGULAR: ± 1 °	5 : 1	MM INCH <input checked="" type="checkbox"/> MM <input type="checkbox"/> INCH	TUBE PACKAGING FOR 35362-****(LEAD FREE)	MOLEX SEE TABLE	SD-35362-003	2	B

TABLE

OT'y	Material NO.	ENG. NO.	CKT
10	20***	-20***	20
10	19***	-19***	19
10	18***	-18***	18
10	17***	-17***	17
15	16***	-16***	16
15	15***	-15***	15
15	14***	-14***	14
15	13***	-13***	13
15	12***	-12***	12
20	11***	-11***	11
20	10***	-10***	10
25	09***	-09***	9
25	08***	-08***	8
30	07***	-07***	7
35	06***	-06***	6
40	05***	-05***	5
50	04***	-04***	4
60	03***	-03***	3
70	3536202**	35362-02**	2