

LEAD FREE

DWG. NO. SD-35363-002

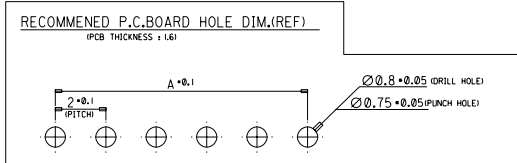
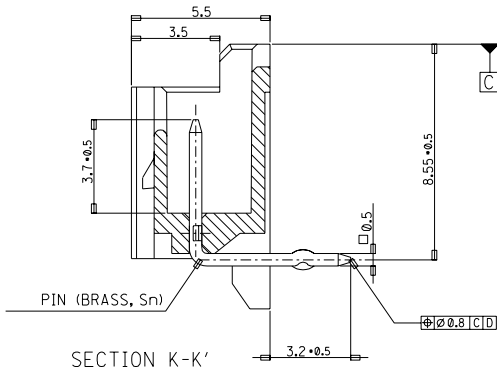
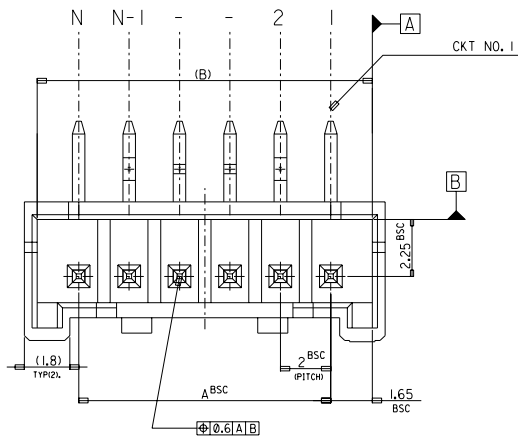
SIMILAR ITEM

PROJECT NO.

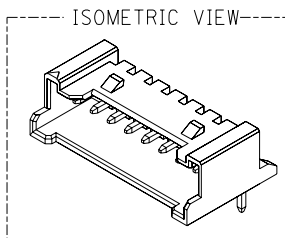
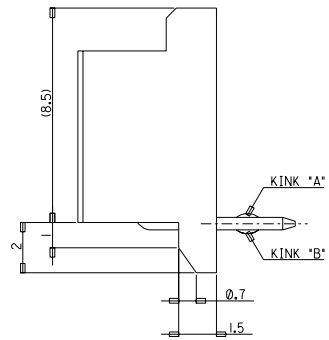
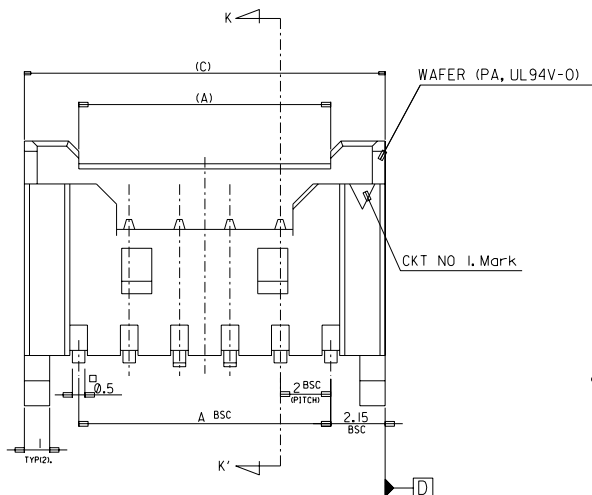
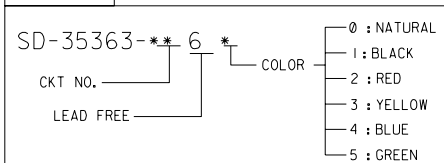
C

B

DO NOT SCALE DRAWING  
DIMENSION IN METRIC



LEGEND



32.3	31.3	28	-156*	-156*	15
30.3	29.3	26	-146*	-146*	14
28.3	27.3	24	-136*	-136*	13
26.3	25.3	22	-126*	-126*	12
24.3	23.3	20	-116*	-116*	11
22.3	21.3	18	-106*	-106*	10
20.3	19.3	16	-096*	-096*	9
18.3	17.3	14	-086*	-086*	8
16.3	15.3	12	-076*	-076*	7
14.3	13.3	10	-066*	-066*	6
12.3	12.3	8	-056*	-056*	5
10.3	9.3	6	35363046*	35363-046*	4
(C)	(B)	A	MATERIAL NO.	ENG. NO.	CKT

- NOTES
- MATERIAL : WAFER : POLYAMIDE(PA), NO GLASS, UL94V-0  
PIN : BRASS
  - FINISHES : TERMINAL : Sn 2\*3um OVERALL
  - PRODUCT SPECIFICATION : PS-35507-003
  - MATING HOUSING : 35507-\*\*-0\*  
MATING TERMINAL : 50212-8000
  - KINK

CKT NO	1	2	3	4	5	N-2	N-1	N
6 CKT OVER	-	A	B	-	-	B	A	-
5 CKT	A	B	-	B	A	-	-	-
4 CKT	A	B	B	A	-	-	-	-

30 over	±0.3
10 over 30 under	±0.25
10 under	±0.2
ANGLE	±3°
GENERAL TOLERANCE	A

Release	KOR2004-037
EC NO.	KOR2004-037
DRWN:	YSOOKIM 04/02/24
CHK:	JKOH
APPR:	CWLEE
DESCRIPTION	
REV	A

QUALITY SYMBOLS	MAJOR =
	CRITICAL =

GENERAL TOLERANCES: (UNLESS SPECIFIED)	mm	INCH
4 PLACES	±0.	±.
3 PLACES	±0.	±.
2 PLACES	±0.	±.
1 PLACE	±0.	±.
ANGULAR:	±	
DRAFT WHERE APPLICABLE MUST REMAIN WITHIN DIMENSIONS		

SCALE	1 : 1
DESIGN UNITS	<input checked="" type="checkbox"/> mm <input type="checkbox"/> INCH
DRAWN BY & DATE	YSOOKIM 96/09/11
CHECKED BY & DATE	J.K.Oh 96/09/11
APPROVED BY & DATE	C.W.Lee 96/09/11
CAD FILENAME	SD35363-002S1.DGN

DIMENSIONS:	<input type="checkbox"/> mm <input type="checkbox"/> INCH	<input checked="" type="checkbox"/> mm ONLY
SHT	REV	
TITLE: NEW 2.0 W/B CONN WAFER ASSY (R/A) (LEAD FREE)		
MOLEX INCORPORATED		
MATERIAL NO.	DRAWING NO.	SHEET NO.
SEE NOTE	SD-35363-002	1 OF 3
THIS DRAWING CONTAINS INFORMATION THAT IS PROPRIETARY TO MOLEX INCORPORATED AND SHOULD NOT BE USED WITHOUT WRITTEN PERMISSION.		
SIZE	B	

A

MX-A3

DWG. NO. SD-35363-002

SIMILAR ITEM

PROJECT NO.

C

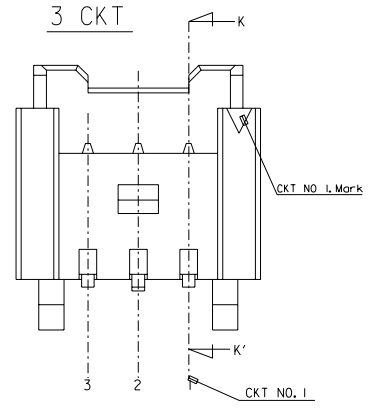
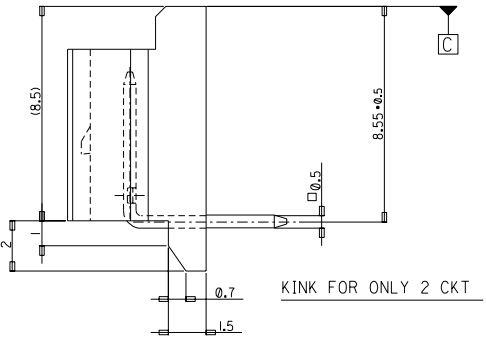
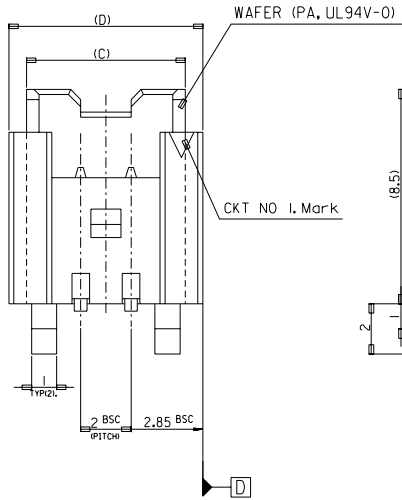
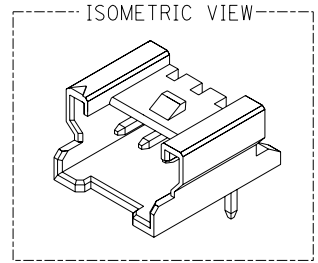
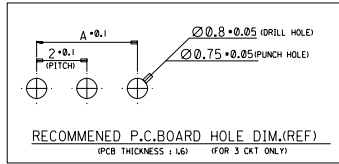
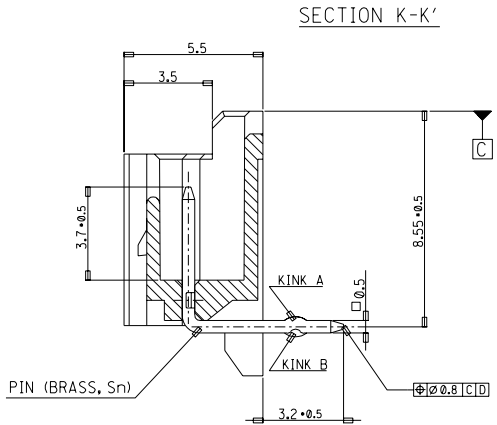
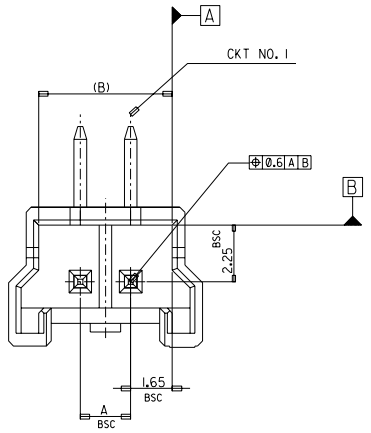
B

DO NOT SCALE DRAWING  
DIMENSION IN METRIC

8 7 6 5 4 3 2 1

LEAD FREE

FOR 2 & 3 CKTS.



LEGEND	
SD-35363-***6*	COLOR
CKT NO. _____	_____
LEAD FREE _____	_____
0	NATURAL
1	BLACK
2	RED
3	YELLOW
4	BLUE
5	GREEN

9.7	8.3	7.3	4	35363036*	-036*	3
(D)	(C)	(B)	A	MATERIAL NO.	ENG. NO.	CKT
7.7	6.3	5.3	2	35363026*	35363-026*	2

- NOTES
- MATERIAL : WAFER : POLYAMIDE(PA), NO GLASS, UL94V-0  
PIN : BRASS
  - FINISHES : TERMINAL : Sn 2+3um OVERALL
  - PRODUCT SPECIFICATION : PS-35507-003
  - MATING HOUSING : 35507-\*\*\*0\*  
MATING TERMINAL : 50212-8000
  - KINK

CKT NO	1	2	3
2 CKT	NONE	KINK	
3 CKT	A	B	A

30 over	±0.3
10 over 30 under	±0.25
10 under	±0.2
ANGLE	±3°
GENERAL TOLERANCE	A

Release	KOR2004-0137
EC NO.	KOR2004-0137
DRWN:	YSOOKIM 04/02/24
CHK:	JKOH
APPR:	CWLEE
DESCRIPTION	MAJOR
	CRITICAL
REV	

QUALITY SYMBOLS	
MAJOR	▲
CRITICAL	▼

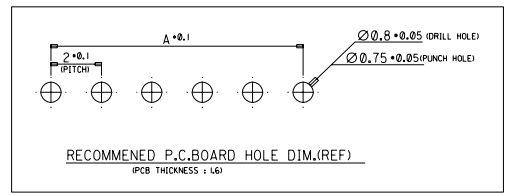
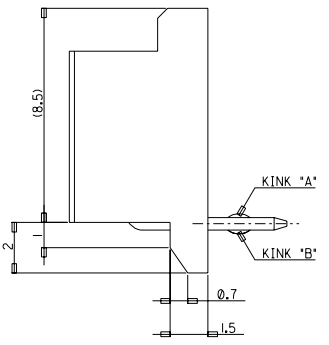
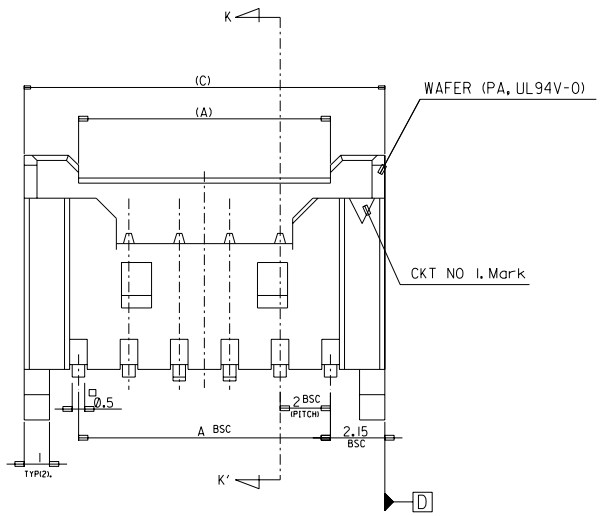
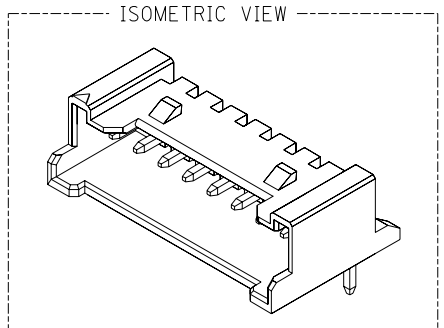
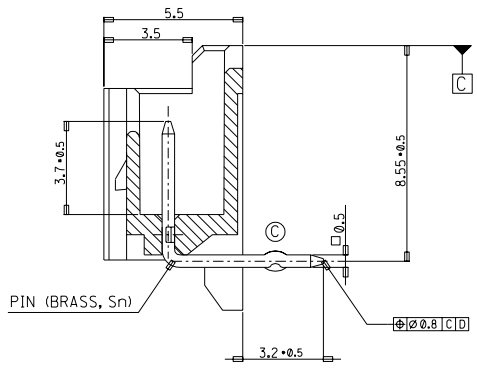
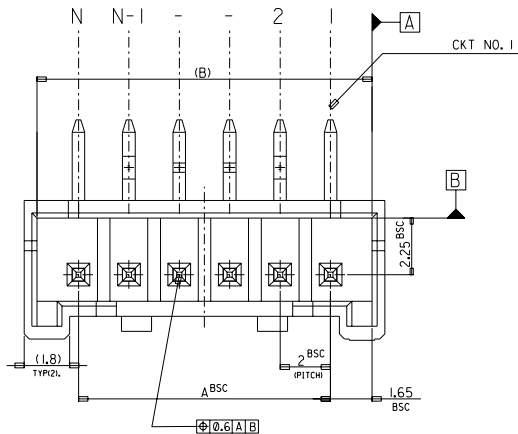
GENERAL TOLERANCES: (UNLESS SPECIFIED)	
4 PLACES	±0.1
3 PLACES	±0.15
2 PLACES	±0.2
1 PLACE	±0.3
ANGULAR:	±

SCALE	DESIGN UNITS	THIRD ANGLE PROJECTION
1 : 1	<input checked="" type="checkbox"/> mm <input type="checkbox"/> INCH	<input type="checkbox"/> THIRD ANGLE <input checked="" type="checkbox"/> FIRST ANGLE

DIMENSIONS:		SHT	REV
<input type="checkbox"/> mm <input type="checkbox"/> INCH	<input checked="" type="checkbox"/> mm <input type="checkbox"/> ONLY		REVISE ON CAD ONLY
DRAWN BY & DATE		TITLE:	
YSOOKIM 96/09/11		NEW 2.0 W/B CONN	
CHECKED BY & DATE		WAFER ASSY (R/A) (LEAD FREE)	
J.K.Oh 96/09/11		MOLEX INCORPORATED	
APPROVED BY & DATE		MATERIAL NO.	DRAWING NO.
C.W.Lee 96/09/11		SEE NOTE	SD-35363-002
CAD FILENAME	MATERIAL NO.	DRAWING NO.	SHEET NO.
SD35363-00IS2.DGN			2 OF 3
THIS DRAWING CONTAINS INFORMATION THAT IS PROPRIETARY TO MOLEX INCORPORATED AND SHOULD NOT BE USED WITHOUT WRITTEN PERMISSION.			SIZE B

8 7 6 5 4 3 2 1 MX-A3

LEAD FREE



LEGEND	
SD-35363-**-**6	COLOR
0	NATURAL
1	BLACK
2	RED
3	YELLOW
4	BLUE
5	GREEN

42.3	41.3	38	35363206*	35363-206*	20
(C)	(B)	A	MATERIAL NO.	ENG. NO.	CKT

- NOTES
- MATERIAL : WAFER : POLYAMIDE(PA), NO GLASS, UL94V-0  
PIN : BRASS
  - FINISHES : TERMINAL : Sn 2±3um OVERALL
  - PRODUCT SPECIFICATION : PS-35507-003
  - MATING HOUSING : 35507-\*\*-\*\*0  
MATING TERMINAL : 50212-8000
  - KINK

CKT NO	1	2	3	4	N-3	N-2	N-1	N
20	-	A	B	-	-	B	A	-

30 over	±0.3
10 over 30 under	±0.25
10 under	±0.2
ANGLE	±3°
GENERAL TOLERANCE	A

Release EC NO. KOR2004-0137 DRWN: YSOOKIM 04/02/24 CHK: JKOH APPR: CWLEE	QUALITY SYMBOLS MAJOR = CRITICAL =	GENERAL TOLERANCES: (UNLESS SPECIFIED) <table border="1"> <tr> <th></th> <th>mm</th> <th>INCH</th> </tr> <tr> <td>4 PLACES</td> <td>±0.</td> <td>±.</td> </tr> <tr> <td>3 PLACES</td> <td>±0.</td> <td>±.</td> </tr> <tr> <td>2 PLACES</td> <td>±0.</td> <td>±.</td> </tr> <tr> <td>1 PLACE</td> <td>±0.</td> <td>±.</td> </tr> </table> ANGULAR: ±		mm	INCH	4 PLACES	±0.	±.	3 PLACES	±0.	±.	2 PLACES	±0.	±.	1 PLACE	±0.	±.	SCALE 1:1 DESIGN UNITS <input checked="" type="checkbox"/> mm <input type="checkbox"/> INCH THIRD ANGLE PROJECTION <input checked="" type="checkbox"/>	DIMENSIONS: <input type="checkbox"/> mm <input type="checkbox"/> INCH <input checked="" type="checkbox"/> mm ONLY	SHT REV
				mm	INCH															
4 PLACES	±0.	±.																		
3 PLACES	±0.	±.																		
2 PLACES	±0.	±.																		
1 PLACE	±0.	±.																		
DRAWN BY & DATE YSOOKIM 98/04/23 CHECKED BY & DATE J.K.Oh 98/04/23 APPROVED BY & DATE C.W.Lee 98/04/23 CAD FILENAME SD35363-002S3.DGN	TITLE: NEW 2.0 W/B CONN WAFER ASSY (R/A) (LEAD FREE)	MOLEX INCORPORATED	MATERIAL NO. SEE NOTE	DRAWING NO. SD-35363-002	SHEET NO. 3 OF 3															

THIS DRAWING CONTAINS INFORMATION THAT IS PROPRIETARY TO MOLEX INCORPORATED AND SHOULD NOT BE USED WITHOUT WRITTEN PERMISSION.

DWG. NO. SD-35363-002  
 PROJECT NO.  
 SIMILAR ITEM  
 DO NOT SCALE DRAWING DIMENSION IN METRIC