

DO NOT SCALE DRAWING DIMENSION IN METRIC

DWG. NO. SD-35507-001

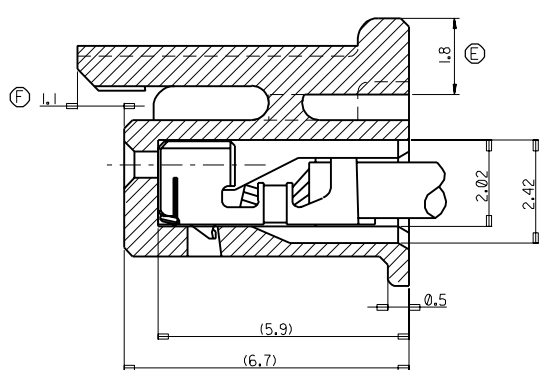
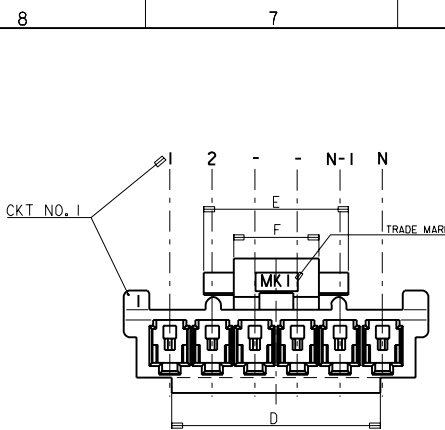
SIMILAR ITEM

PROJECT NO.

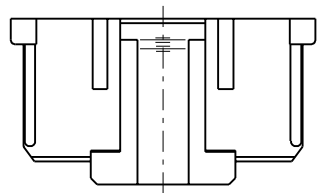
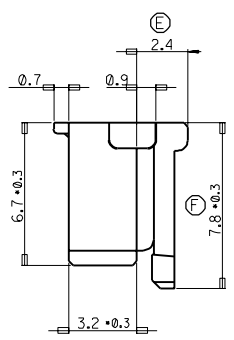
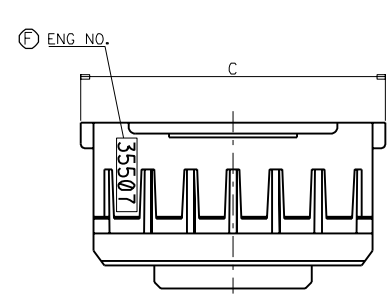
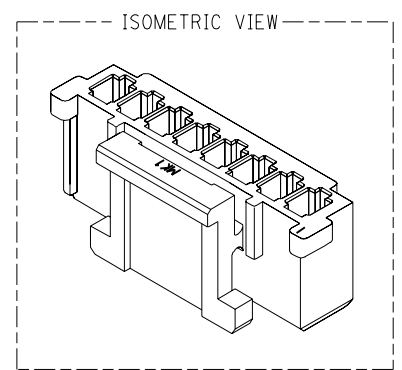
C

B

A

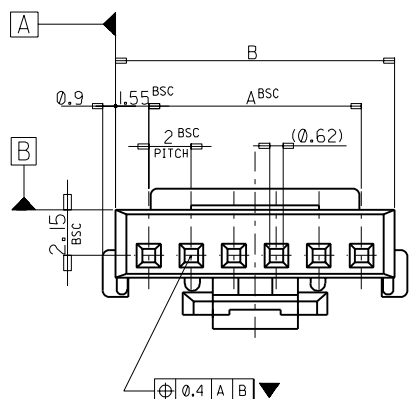


TERMINAL INSERTED DRAWING  
SCALE 2:1



NOTES

1. MATERIAL : POLYESTER, UL94V-0
- ② 2. FINISH : VARIABLE COLOR (SEE LEGEND)
3. PRODUCT SPECIFICATION NO : PS-35507-001
4. APPLICABLE TERMINAL : 50212-8000
5. MATES WITH : 35362-\*\*\*, 35363-\*\*\*



③ LEGEND

CKT NO. → \*#0\*

COLOR →

- 0 : NATURAL
- 1 : BLACK
- 2 : RED
- 3 : YELLOW
- 4 : BLUE
- ⑤ 5 : GREEN

4	4	27.8	32.3	31.1	28	-150*	15
		25.8	30.3	29.1	26	-140*	14
		23.8	28.3	27.1	24	-130*	13
		21.8	26.3	25.1	22	-120*	12
		19.8	24.3	23.1	20	-110*	11
		17.8	22.3	21.1	18	-100*	10
7	7	15.8	20.3	19.1	16	-090*	9
8.0	10.8	13.8	18.3	17.1	14	-080*	8
4	4	11.8	16.3	15.1	12	-070*	7
		9.8	14.3	13.1	10	-060*	6
		7.8	12.3	11.1	8	-050*	5
410	618	5.8	10.3	9.1	6	35507-040*	4
F	E	D	C	B	A	ENG NO.	CKT

30 over	±0.3
10 over 30 under	±0.25
10 under	±0.2
ANGLE	±3°
GENERAL TOLERANCE	

REVISED	EC NO. KOR 2002-0043
REV	DRWN: Y500KIM(20011123)
	CHK: YSIKKim
	APPR: CWLEE
DESCRIPTION	MAJOR
	CRITICAL
	C

QUALITY SYMBOLS	GENERAL TOLERANCES: (UNLESS SPECIFIED)
MAJOR	mm INCH
CRITICAL	mm INCH
C	mm INCH
REV	ANGULAR: ± / °
	DRAFT WHERE APPLICABLE MUST REMAIN WITHIN DIMENSIONS

SCALE 1:1	DESIGN UNITS
	mm INCH
DRAWN BY & DATE	
Y.S.Kim 960911	
CHECKED BY & DATE	
Y.Sik.Kim	
APPROVED BY & DATE	
C.W.Lee	
CAD FILENAME	
SD35507.S01	

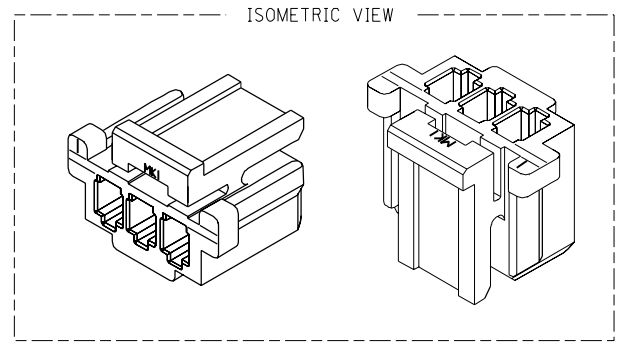
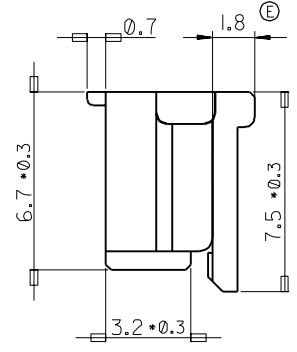
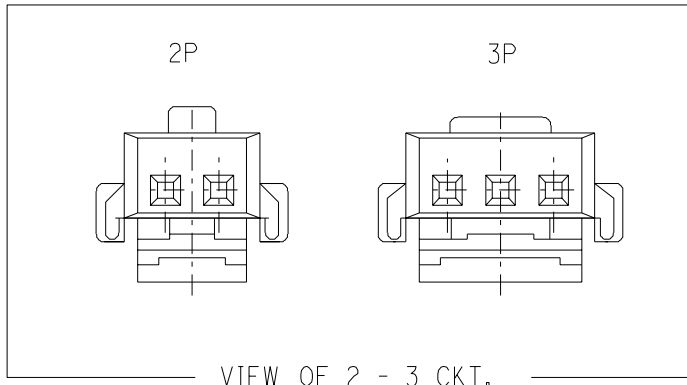
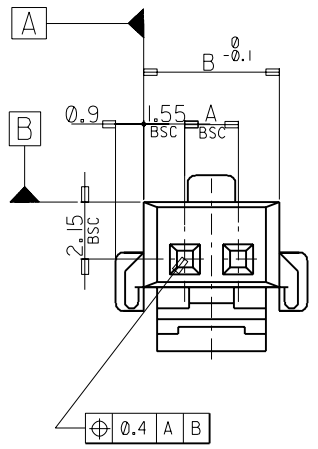
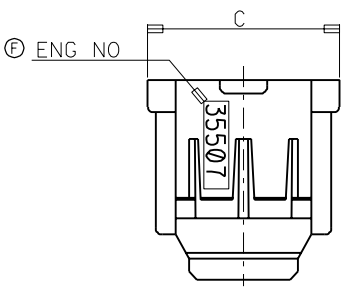
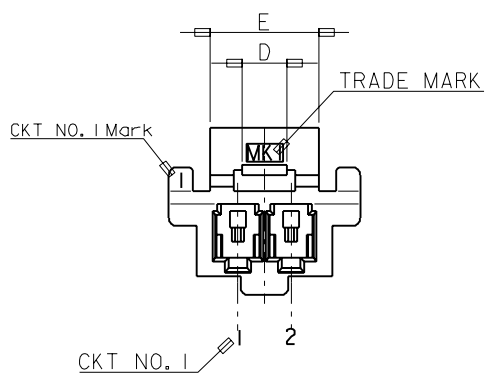
THIRD ANGLE PROJECTION	TITLE:	SHT	REV
mm INCH	NEW 2.0 W/B CONN HOUSING		
mm ONLY			
	MOLEX INCORPORATED KOREA		
MATERIAL NO.	DRAWING NO.	SHEET NO.	
	SD-35507-001	1/3	
THIS DRAWING CONTAINS INFORMATION THAT IS PROPRIETARY TO MOLEX INCORPORATED AND SHOULD NOT BE USED WITHOUT WRITTEN PERMISSION.			SIZE B

DO NOT SCALE DRAWING DIMENSION IN METRIC

PROJECT NO.

SIMILAR ITEM

DWG. NO. SD-35507-001



FOR 2 & 3 CKTS.

LEGEND

CKT NO.	**0*	COLOR	0 : NATURAL
			1 : BLACK
			2 : RED
			3 : YELLOW
			4 : BLUE
			5 : GREEN

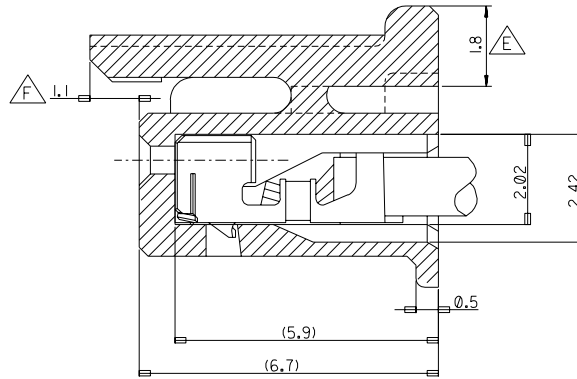
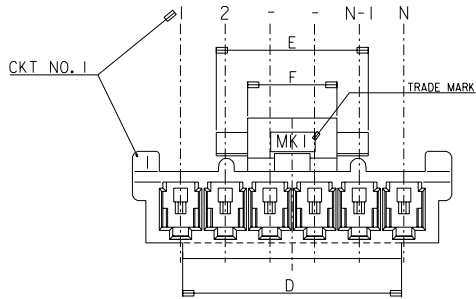
NOTES

1. MATERIAL : POLYESTER, UL94V-0
2. FINISH : VARIABLE COLOR (SEE LEGEND)
3. PRODUCT SPECIFICATION NO : PS-35507-001
4. APPLICABLE TERMINAL : 50212-8000
5. MATES WITH : 35362-\*\*, 35363-\*\*

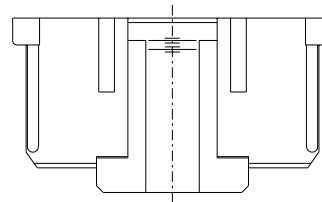
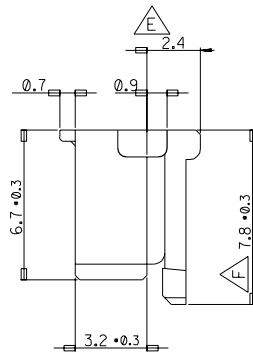
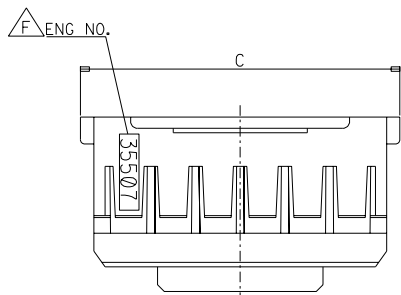
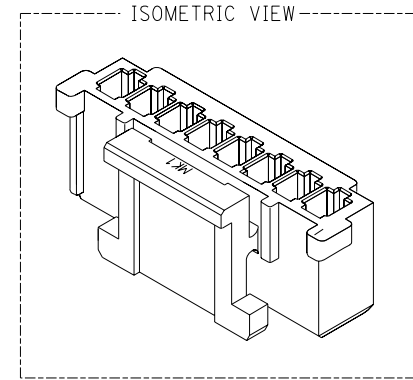
2.5	9.2	7.1	4	-030*	3
1.7	7.2	5.1	2	35507-020*	2
D	C	B	A	ENG NO.	CKT

30 over	+0.3
10 over 30 under	±0.25
10 under	±0.2
ANGLE	±3°
GENERAL TOLERANCE	

REVISED	EC NO. KOR 2002-0043 DRWN: YSOOKIM (20011123) CHK: YSIKIM APPR: CWLEE	QUALITY SYMBOLS MAJOR = CRITICAL =	GENERAL TOLERANCES: (UNLESS SPECIFIED)		SCALE 1:1	DESIGN UNITS <input checked="" type="checkbox"/> mm <input type="checkbox"/> INCH	THIRD ANGLE PROJECTION	DIMENSIONS: <input type="checkbox"/> mm <input type="checkbox"/> INCH <input checked="" type="checkbox"/> mm ONLY		SHT	REV							
			4 PLACES	±0.	±.	3 PLACES	±0.	±.	2 PLACES	±0.	±.	1 PLACE	±0.	±.	DRAWN BY & DATE Y.S.Kim 960911	CHECKED BY & DATE Y.Sik.Kim	APPROVED BY & DATE C.W.Lee	CAD FILENAME SD35507.S02
DESCRIPTION			DRAFT WHERE APPLICABLE MUST REMAIN WITHIN DIMENSIONS			THIS DRAWING CONTAINS INFORMATION THAT IS PROPRIETARY TO MOLEX INCORPORATED AND SHOULD NOT BE USED WITHOUT WRITTEN PERMISSION.						SIZE B						
REV			TITLE: NEW 2.0 W/B CONN HOUSING (2 & 3 CKTS Only)			MOLEX INCORPORATED KOREA						MX-A3						



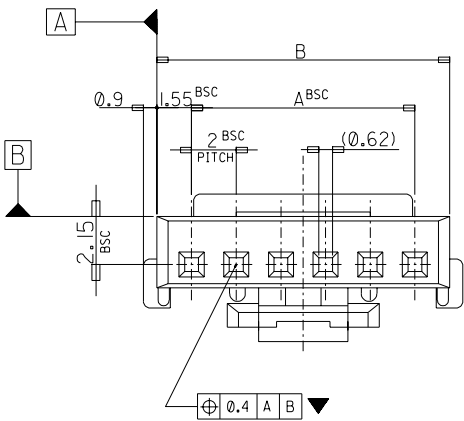
TERMINAL INSERTED DRAWING  
SCALE 8:1



NOTES

1. MATERIAL : POLYESTER, NON GLASS FILLED, UL94V-0
2. FINISH : VARIABLE COLOR (SEE LEGEND)
3. PRODUCT SPECIFICATION : PS-35507-001
4. APPLICABLE TERMINAL : 50212-8000
5. MATES WITH : 35362-\*\*\*, 35363-\*\*\*

LEGEND	
CKT NO. ***0*	COLOR
	0 : NATURAL
	1 : BLACK
	2 : RED
	3 : YELLOW
	4 : BLUE
	5 : GREEN



8.0	10.8	37.8	42.3	41.1	38	35507200•	35507-200•	20
8.0	10.8	35.8	40.3	39.1	36	35507190•	35507-190•	19
8.0	10.8	33.8	38.3	37.1	34	35507180•	35507-180•	18
8.0	10.8	31.8	36.3	35.1	32	35507170•	35507-170•	17
8.0	10.8	29.8	34.3	33.1	30	35507160•	35507-160•	16
F	E	D	C	B	A	MATERIAL NO.	ENG NO.	CKT

REVISED  
KOR2003-0109  
JUNGHKIM 02/10/31  
YUNSIKKIM  
CWLEE

4 : 1 ×  
Y.S.Kim 960911  
Y.Sik.Kim  
C.W.Lee  
2  
3

NEW 2.0 W/B CONN HOUSING