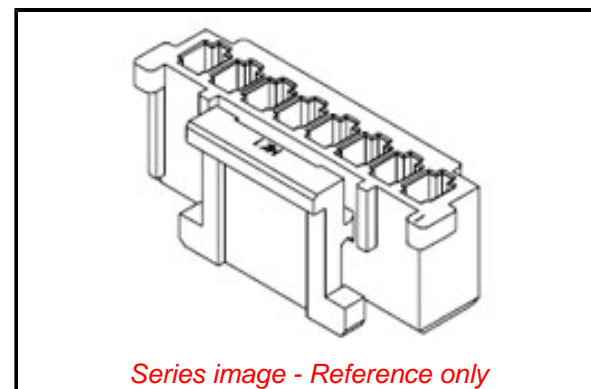


**PLEASE CHECK WWW.MOLEX.COM FOR LATEST PART INFORMATION**

**Part Number:** [0355071400](#)  
**Status:** **Active**  
**Overview:** [Sherlock Connector System](#)  
**Description:** 2.00mm Pitch Sherlock Wire-to-Board Housing, Natural, 14 Circuits

**Documents:**

|  |  |
|--|--|
| <a href="#">3D Model</a>                                     | <a href="#">Product Specification PS-35507-003-001 (PDF)</a> |
| <a href="#">Drawing (PDF)</a>                                | <a href="#">Packaging Specification 355070200-100 (PDF)</a>  |
| <a href="#">Product Specification PS-35507-001-001 (PDF)</a> | <a href="#">Packaging Specification PK-35507-001 (PDF)</a>   |
| <a href="#">Product Specification PS-35507-002-001 (PDF)</a> | <a href="#">RoHS Certificate of Compliance (PDF)</a>         |



**Agency Certification**

|     |         |
|-----|---------|
| CSA | LR19980 |
| UL  | E29179  |

**General**

|                |   |
|----------------|---|
| Product Family | Crimp Housings                            |
| Series         | <a href="#">35507</a>                     |
| Application    | Signal, Wire-to-Board                     |
| Overview       | <a href="#">Sherlock Connector System</a> |
| Product Name   | Sherlock                                  |
| UPC            | 800753855885                              |

**Physical**

|                               |                |
|-------------------------------|----------------|
| Circuits (maximum)            | 14             |
| Circuits Detail               | 14             |
| Color - Resin                 | Natural        |
| Flammability                  | 94V-0          |
| Gender                        | Receptacle     |
| Glow-Wire Capable             | No             |
| Keying to Mating Part         | None           |
| Lock to Mating Part           | Yes            |
| Material - Resin              | Polyester      |
| Net Weight                    | 0.546/g        |
| Number of Rows                | 1              |
| Packaging Type                | Bag            |
| Panel Mount                   | No             |
| Pitch - Mating Interface      | 2.00mm         |
| Polarized to Mating Part      | Yes            |
| Stackable                     | No             |
| Temperature Range - Operating | -40° to +105°C |

**Electrical**

|                               |      |
|-------------------------------|------|
| Current - Maximum per Contact | 2.0A |
|-------------------------------|------|

**Material Info**

**Reference - Drawing Numbers**

|                         |   |
|-------------------------|---|
| Packaging Specification | 355070200-100, PK-35507-001                             |
| Product Specification   | PS-35507-001-001, PS-35507-002-001,<br>PS-35507-003-001 |
| Sales Drawing           | SD-35507-001, SD-35507-001-001, SD-35507-001-002        |

**EU ELV**

**Not Relevant**

**EU RoHS**

**Compliant**

**REACH SVHC**

Not Contained Per -  
ED/61/2018 (27 June  
2018)

**Halogen-Free**

**Status**

**Not Low-Halogen**

For more information, please visit [Contact US](#)

China ROHS

ELV

RoHS Phthalates

**China RoHS**

Green Image

Not Relevant

Not Contained

**Search Parts in this Series**

[35507](#) Series

**Mates With**

Sherlock Wire-to-Board Header [35362](#) ,  
[35363](#)

**Use With**

2.00mm Pitch Crimp Terminal [50212](#)