

PLEASE CHECK WWW.MOLEX.COM FOR LATEST PART INFORMATION

Part Number: [35507-1500](#)
Status: **Active**
Overview: [Sherlock™ Connector System](#)
Description: 2.00mm Pitch Sherlock™ Wire-to-Board Housing, Natural, 15 Circuits

Documents:

| | |
|--|--|
| 3D Model | Product Specification PS-35507-002 (PDF) |
| Drawing (PDF) | Packaging Specification PK-35507-001 (PDF) |
| Product Specification PS-35507-001 (PDF) | RoHS Certificate of Compliance (PDF) |

Agency Certification

| | |
|-----|---------|
| CSA | LR19980 |
| UL | E29179 |

General

| | |
|----------------|--|
| Product Family | Crimp Housings |
| Series | 35507 |
| Application | Signal, Wire-to-Board |
| Overview | Sherlock™ Connector System |
| Product Name | Sherlock™ |

Physical

| | |
|-------------------------------|-----------------|
| Circuits (maximum) | 15 |
| Circuits Detail | 15 |
| Color - Resin | Natural |
| Flammability | 94V-0 |
| Gender | Female |
| Glow-Wire Compliant | No |
| Keying to Mating Part | None |
| Lock to Mating Part | Yes |
| Material - Resin | Polyester |
| Number of Rows | 1 |
| Packaging Type | Bag |
| Panel Mount | No |
| Pitch - Mating Interface | 2.00mm |
| Polarized to Mating Part | Yes |
| Stackable | No |
| Temperature Range - Operating | -40°C to +105°C |

Electrical

| | |
|-------------------------------|----|
| Current - Maximum per Contact | 2A |
|-------------------------------|----|

Material Info

Reference - Drawing Numbers

| | |
|-------------------------|--|
| Packaging Specification | PK-35507-001 |
| Product Specification | PS-35507-001, PS-35507-002, RPS-35507-003, RPS-35507-004, RPS-35507-005, RPS-35507-009, RPS-35507-010, RPS-35507-011 |
| Sales Drawing | SD-35507-001 |

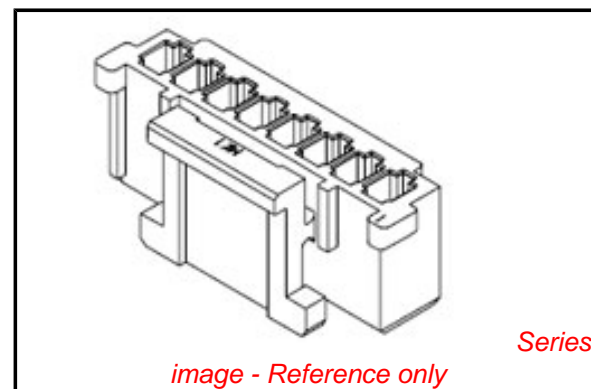


image - Reference only

EU RoHS

ELV and RoHS Compliant
REACH SVHC Contains SVHC: No
Low-Halogen Status
Not Low-Halogen

China RoHS



Need more information on product environmental compliance?

Email productcompliance@molex.com
 For a multiple part number RoHS Certificate of Compliance, [click here](#)

Please visit the [Contact Us](#) section for any non-product compliance questions.

Search Parts in this Series

[35507Series](#)

Mates With

Sherlock™ Wire-to-Board Header [35362](#) ,
[35363](#)

Use With

2.00mm Pitch Crimp Terminal [50212](#) ,
[10440](#)