

PLEASE CHECK WWW.MOLEX.COM FOR LATEST PART INFORMATION

Part Number: **0355072000**
Status: **Active**
Overview: Sherlock™ Connector System
Description: 2.00mm Pitch Sherlock™ Wire-to-Board Housing, Natural, 20 Circuits

Documents:

| | |
|--|--|
| 3D Model | Product Specification PS-35507-003-001 (PDF) |
| Drawing (PDF) | Packaging Specification 355070200-100 (PDF) |
| Product Specification PS-35507-001-001 (PDF) | Packaging Specification PK-35507-001 (PDF) |
| Product Specification PS-35507-002-001 (PDF) | RoHS Certificate of Compliance (PDF) |

Agency Certification

CSA LR19980

General

| | |
|----------------|-----------------------------------|
| Product Family | Crimp Housings |
| Series | <u>35507</u> |
| Application | Signal, Wire-to-Board |
| Overview | <u>Sherlock™ Connector System</u> |
| Product Name | Sherlock™ |
| UPC | 800754852968 |

Physical

| | |
|-------------------------------|-----------------|
| Circuits (maximum) | 20 |
| Circuits Detail | 20 |
| Color - Resin | Natural |
| Flammability | 94V-0 |
| Gender | Receptacle |
| Glow-Wire Compliant | No |
| Keying to Mating Part | None |
| Lock to Mating Part | Yes |
| Material - Resin | Polyester |
| Net Weight | 0.726/g |
| Number of Rows | 1 |
| Packaging Type | Bag |
| Panel Mount | No |
| Pitch - Mating Interface | 2.00mm |
| Polarized to Mating Part | Yes |
| Stackable | No |
| Temperature Range - Operating | -40°C to +105°C |

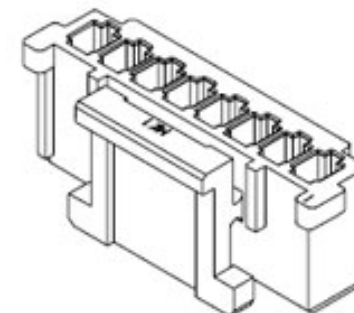
Electrical

Current - Maximum per Contact 2.0A

Material Info

Reference - Drawing Numbers

| | |
|-------------------------|---|
| Packaging Specification | 355070200-100, PK-35507-001 |
| Product Specification | PS-35507-001-001, PS-35507-002-001, PS-35507-003-001 |
| Sales Drawing | SD-35507-001, SD-35507-001-001 |



Series image - Reference only

EU ELV

Not Relevant

EU RoHS

Compliant

REACH SVHC

Not Contained Per -
ED/30/2017 (7 July
2017)

Halogen-Free

Status

Not Low-Halogen

**Need more information on product
environmental compliance?**

Email productcompliance@molex.com
Please visit the [Contact Us](#) section for any
non-product compliance questions.

| | |
|-----------------|---------------|
| China ROHS | Green Image |
| ELV | Not Relevant |
| RoHS Phthalates | Not Contained |

Search Parts in this Series

35507 Series

Mates With

Sherlock™ Wire-to-Board Header 35362 ,
35363

Use With

2.00mm Pitch Crimp Terminal 50212