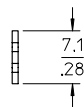
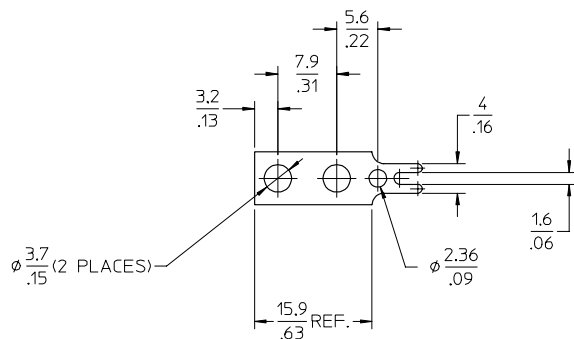
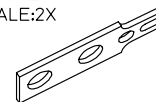


AUX.VIEW
SCALE:2X



NOTES:

1. MATERIAL: SEE TABLE
2. FINISHES: SEE TABLE
3. PRODUCT SPECIFICATION: NOT REQUIRED
4. MATES WITH: NONE

1	1	TERMINAL	BRASS	TIN PLATED
ITEM	QTY.	DESCRIPTION	MATERIAL	FINISH

tb_frame_B
rev. B1 2000/08/01

EC NO: NEO2004-0505
DRAWN BY: R.STONE 2004/02/03
CHKD BY: CHYCHKR 2004/02/10
APPR: G.ROBERT 2004/02/10

QUALITY SYMBOLS	GENERAL TOLERANCES (UNLESS SPECIFIED)		SCALE 2:1	DESIGN UNITS INCH	THIRD ANGLE PROJECTION	REVISE ON CAD ONLY
	4 PLACES	± --- ± .0015	DIMENSION STYLE MM/IN			
▽ 0	3 PLACES	± 0.038 ± .005	DRAWN BY R.STONE	DATE 08-14-03	TITLE TERMINAL, SOLDER TAB CAT.#141	
	2 PLACES	± 0.13 ± .01	CHECKED BY RK	DATE 2-5-04	MOLEX INCORPORATED	
	1 PLACE	± 0.3 ± ---	APPROVED BY GHR	DATE 2-26-04	MATERIAL NO. 380020204	DOCUMENT NO. SD-38002-006
	ANGULAR ±1/2°		SHEET NO. 1 OF 1			
	DRAFT WHERE APPLICABLE MUST REMAIN WITHIN DIMENSIONS		THIS DRAWING CONTAINS INFORMATION THAT IS PROPRIETARY TO MOLEX INCORPORATED AND SHOULD NOT BE USED WITHOUT WRITTEN PERMISSION			