

Distributed by:



[www.Jameco.com](http://www.Jameco.com) ♦ 1-800-831-4242

The content and copyrights of the attached material are the property of its owner.

# Jameco Part Number 307993

## FEATURES AND SPECIFICATIONS

### Features and Benefits

- Crimp terminal for use in all Mini-Fit, Jr., BMI and TPA receptacle housings
- Four gas-tight points of contact on Tin-plated contacts
- HCS offers 3 additional amperes of current

### Reference Information

Packaging: Reel or bag  
 Use With: [5557](#), [30067](#) and [42474](#) housings  
 Designed In: Millimeters

### Electrical

Voltage: 600V  
 Current:  
     Standard—9.0A  
     HCS—12.0A  
 Contact Resistance: 10mΩ max.  
 Dielectric Withstanding Voltage: 1500V  
 Insulation Resistance: 1000 MΩ min.

### Mechanical

Contact Insertion Force: 1.5kg max.  
 Contact Retention to Housing: 3.0kg min.  
 Wire Pull-Out Force: 9.0kg min.  
 Insertion Force to PCB: 5.0kg max.  
 Mating Force: 0.7kg (1.54 lb) max.  
 Unmating Force: 0.35kg (0.7 lb) min.  
 Normal Force: 200g min.  
 Durability: 30 cycles

### Physical

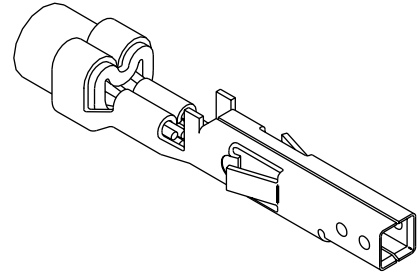
Contact: 5556—Brass or Phosphor Bronze  
           44476—High Copper Alloy  
 \*Plating: See Table  
 Operating Temperature: -40 to 105° C  
 Strip Length: 3.0 (.118) to 3.5mm (.138")



## 4.20mm (.165") Pitch Mini-Fit™ Family Terminal

### 5556/44476

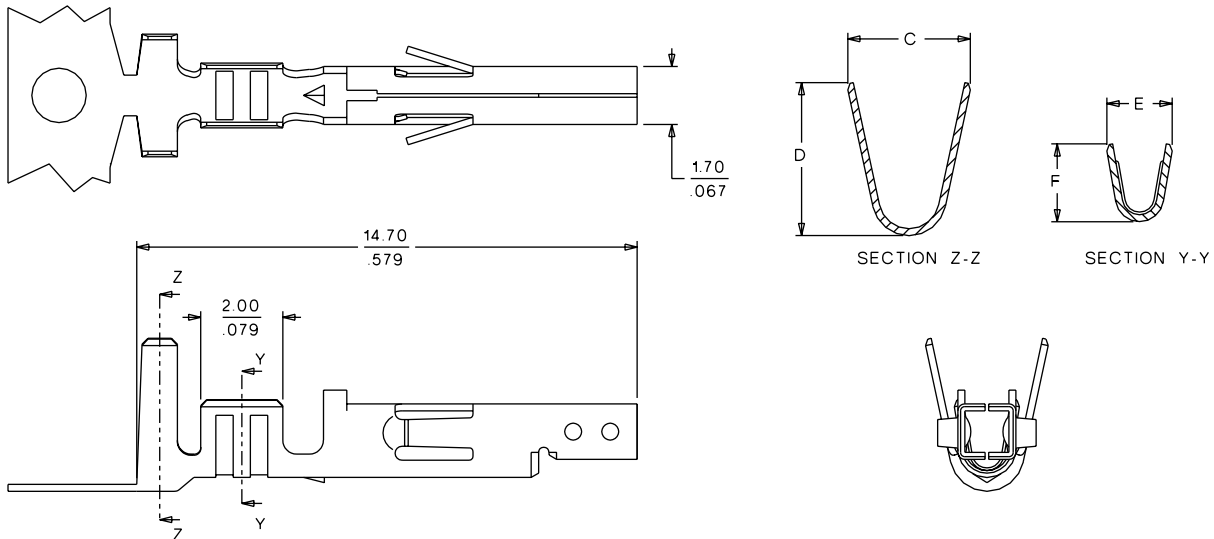
### Crimp, Female



Power Connectors



## CATALOG DRAWING (FOR REFERENCE ONLY)



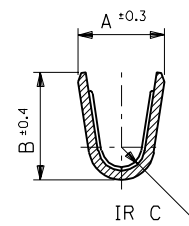
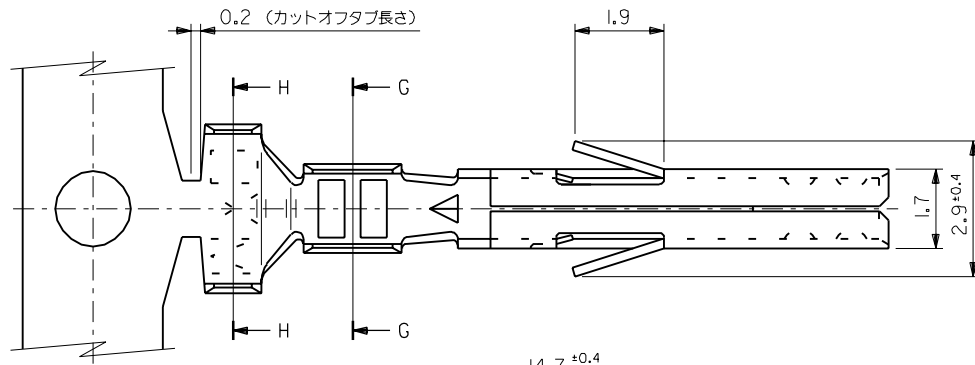
## ORDERING INFORMATION AND DIMENSIONS

Plating*	Wire Size (AWG)	Insulation Range	Order No. 5556		Order No. 44476		Dimension			
			Reel	Bag	Reel	Bag	C	D	E	F
Brass (Pre-plated Tin over Copper)	16	1.80-3.10 (.071-.122)	• 39-00-0077	• 39-00-0078			3.60 (.142)	4.50 (.177)	2.30 (.091)	2.70 (.106)
	18-24	1.30-3.10 (.051-.122)	• 39-00-0038	• 39-00-0039			3.60 (.142)	4.50 (.177)	1.90 (.075)	2.30 (.091)
	22-28	0.90-1.80 (.035-.071)	• 39-00-0046	• 39-00-0047			2.30 (.091)	2.30 (.091)	1.80 (.071)	1.65 (.065)
Brass (Pre-plated Gold over Nickel)	16	1.80-3.10 (.071-.122)	• 39-00-0089	• 39-00-0090			3.60 (.142)	4.50 (.177)	2.30 (.091)	2.70 (.106)
	18-24	1.30-3.10 (.051-.122)	• 39-00-0055	• 39-00-0056			3.60 (.142)	4.50 (.177)	1.90 (.075)	2.30 (.091)
	22-28	0.90-1.80 (.035-.071)	• 39-00-0085	• 39-00-0086			2.30 (.091)	2.30 (.091)	1.80 (.071)	1.65 (.065)
Brass* or Copper† (Post-plated Tin over Nickel)	16	1.80-3.10 (.071-.122)	• 39-00-0211*	• 39-00-0212*	44476-3111	44476-3112	3.60 (.142)	4.50 (.177)	2.30 (.091)	2.70 (.106)
	18-24	1.30-3.10 (.051-.122)	• 39-00-0207*	• 39-00-0208*	44476-1111†	44476-1112†	3.60 (.142)	4.50 (.177)	1.90 (.075)	2.30 (.091)
	22-28	0.90-1.80 (.035-.071)	• 39-00-0209*	• 39-00-0210*			2.30 (.091)	2.30 (.091)	1.80 (.071)	1.65 (.065)
Brass (Post-plated Gold over Nickel)	16	1.80-3.10 (.071-.122)	• 39-00-0167	• 39-00-0168			3.60 (.142)	4.50 (.177)	2.30 (.091)	2.70 (.106)
	18-24	1.30-3.10 (.051-.122)	• 39-00-0163	• 39-00-0164			3.60 (.142)	4.50 (.177)	1.90 (.075)	2.30 (.091)
	22-28	0.90-1.80 (.035-.071)	• 39-00-0165	• 39-00-0166			2.30 (.091)	2.30 (.091)	1.80 (.071)	1.65 (.065)
Phosphor Bronze (Pre-plated Tin)	16	1.80-3.10 (.071-.122)	• 39-00-0079	• 39-00-0080			3.60 (.142)	4.50 (.177)	2.30 (.091)	2.70 (.106)
	18-24	1.30-3.10 (.051-.122)	• 39-00-0059	• 39-00-0060			3.60 (.142)	4.50 (.177)	1.90 (.075)	2.30 (.091)
	22-28	0.90-1.80 (.035-.071)	• 39-00-0065	• 39-00-0066			2.30 (.091)	2.30 (.091)	1.80 (.071)	1.65 (.065)
Phosphor Bronze (Pre-plated Gold over Nickel)	16	1.80-3.10 (.071-.122)	• 39-00-0157	• 39-00-0158			3.60 (.142)	4.50 (.177)	2.30 (.091)	2.70 (.106)
	18-24	1.30-3.10 (.051-.122)	• 39-00-0153	• 39-00-0154			3.60 (.142)	4.50 (.177)	1.90 (.075)	2.30 (.091)
	22-28	0.90-1.80 (.035-.071)	• 39-00-0155	• 39-00-0156			2.30 (.091)	2.30 (.091)	1.80 (.071)	1.65 (.065)
Phosphor Bronze (Post-plated Tin over Nickel)	16	1.80-3.10 (.071-.122)	• 39-00-0217	• 39-00-0218			3.60 (.142)	4.50 (.177)	2.30 (.091)	2.70 (.106)
	18-24	1.30-3.10 (.051-.122)	• 39-00-0213	• 39-00-0214			3.60 (.142)	4.50 (.177)	1.90 (.075)	2.30 (.091)
	22-28	0.90-1.80 (.035-.071)	• 39-00-0215	• 39-00-0216			2.30 (.091)	2.30 (.091)	1.80 (.071)	1.65 (.065)
Phosphor Bronze (Post-plated Gold over Nickel)	16	1.80-3.10 (.071-.122)	• 39-00-0185	• 39-00-0186			3.60 (.142)	4.50 (.177)	2.30 (.091)	2.70 (.106)
	18-24	1.30-3.10 (.051-.122)	• 39-00-0181	• 39-00-0182			3.60 (.142)	4.50 (.177)	1.90 (.075)	2.30 (.091)
	22-28	0.90-1.80 (.035-.071)	• 39-00-0183	• 39-00-0184			2.30 (.091)	2.30 (.091)	1.80 (.071)	1.65 (.065)

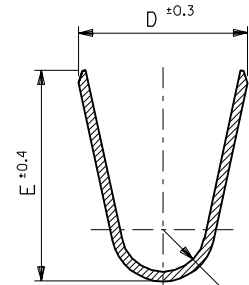
\* US Standard Product, available through Molex franchised distributors

† 18 to 20 AWG

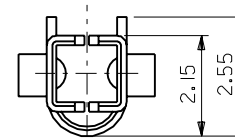
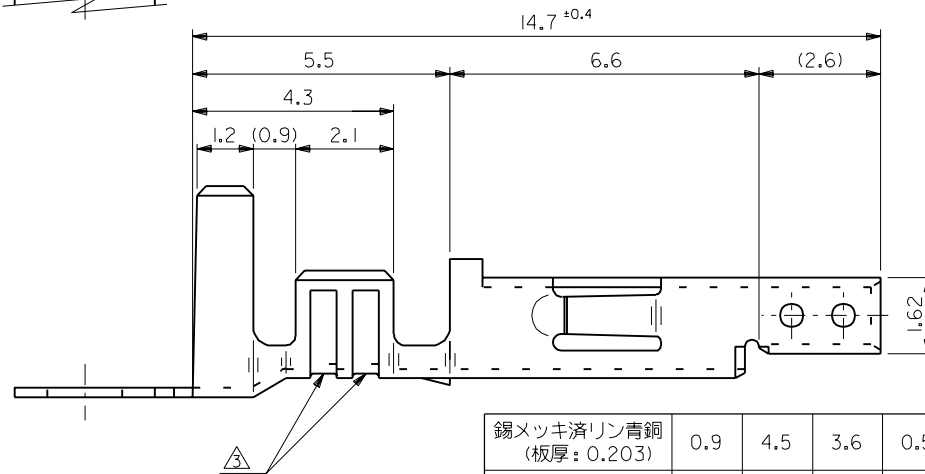
\* Tin-plated terminals have 4 points of contact. Gold plated terminals have 2 points of contact.



SECT. G-G



SECT. H-H



錫メッキ済リン青銅 (板厚: 0.203)	0.9	4.5	3.6	0.5	2.3	1.9	∅ 1.3-3.1	#18-24	39-00-0060	5556 PBTL	バラ状
錫メッキ済黄銅 (板厚: 0.203)	0.6	2.3	2.3	0.4	1.65	1.8	∅ 0.9-1.8	#22-28	-0059	PBT	連鎖状
	0.9	4.5	3.6	0.5	2.3	1.9	∅ 1.3-3.1	#18-24	-0047	T2L	バラ状
									-0046	T2	連鎖状
39-00-0038	5556 T	バラ状									
材料	F	E	D	C	B	A	被覆外径	適用電線	EDP NO.	ENG. NO.	端子形状

注記

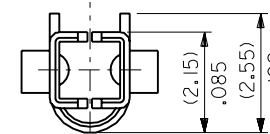
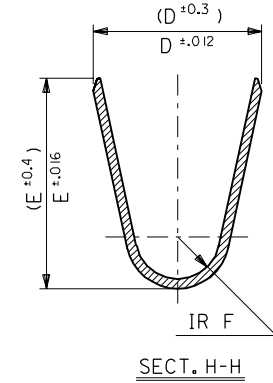
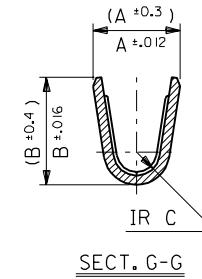
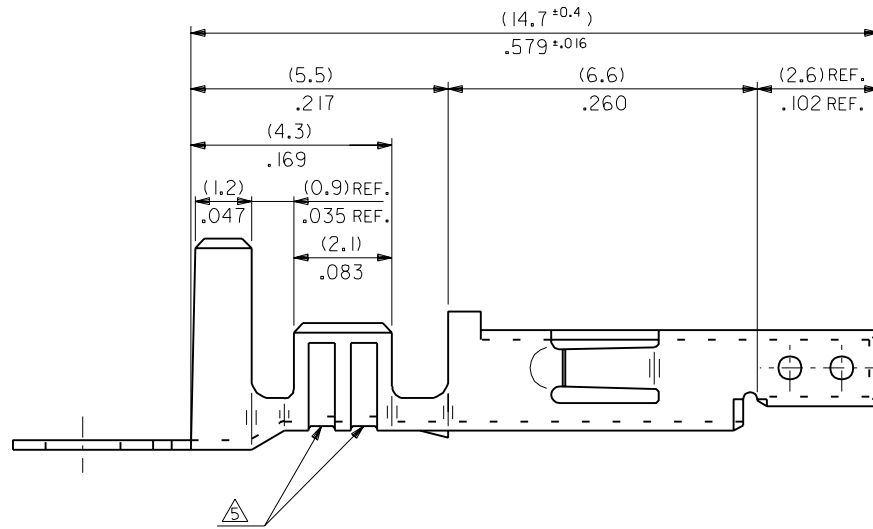
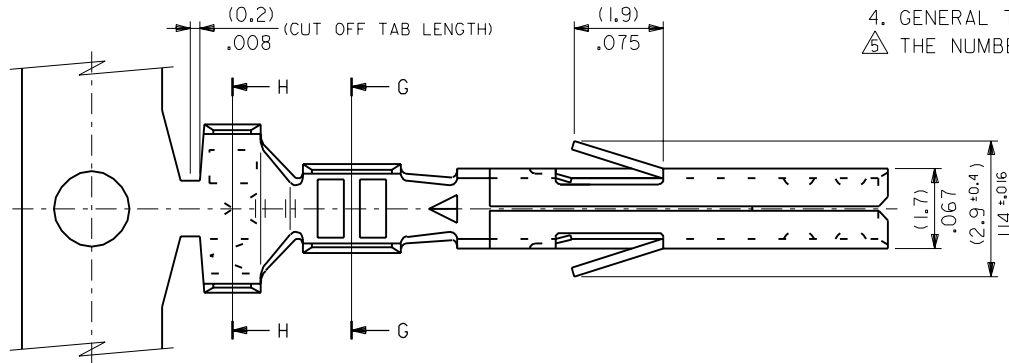
- 適合ハウジング: 5557 シリーズ
- 嵌合相手: 5558, 5566, 5569 シリーズ
- 適用電線が #22-28 の製品のセレーション数は 1 とする。

材料 MATERIAL		表参照		MOLDEX JAPAN CO., LTD. 日本モレックス株式会社	
仕上げ FINISH		—H—		EDP. NO. 39-00-00**	
適用電線範囲 WIRE RANGE		表参照		ENG. NO. SD-5556****	
被覆外径 INS. RANGE		表参照		REV G	
DRAWN BY '91/5/18 H.HIRAMOTO		CHK'D BY '98/11/9 K.I.S.KUNISHI		TITLE 名称 NEW MINI. FIT CONN. CRIMP RECEPTACLE	
APP'D BY '98/11/9 M.FUKUSHIMA		尺 度 SCALE 10 - 1			
角度 ANGLE	±3°	F 変更	(JC90279)	Y.K.	'98/11/6
30 以上 OVER	+0.3	E 変更	(JC90012)	Y.K.	'98/7/6
10 以上 30 未満 OVER UNDER	+0.25	D 変更&再作図	(J10380)	H.H.	'98/5/6
10 未満 UNDER	+0.2	記号 LTR	変更内容 REVISION RECORD	DR. CHK.	日付 DATE
一般公差 GENERAL TOLERANCES		REVISE ONLY ON CAD SYSTEM			

8 7 6 5 4 3 2 1

NOTES

1. APPLICABLE HOUSING : 5557 SERIES.
  2. MATES WITH TERMINAL : 5558, 5566, 5569 SERIES.
  3. (METRIC) VALUES SHOWN GOVERN OVER ENGLISH CONVERSION VALUES.
  4. GENERAL TOLERANCES OF ENGLISH CONVERSION VALUES : ±.008 INCH.
- △ THE NUMBER OF SERRATIONS TO BE ONE FOR WIRE RANGE #22-28.



材料 MATERIAL		SEE SHEET 2 OF 2	moLEX MOLEX-JAPAN CO.,LTD. 日本モレックス株式会社	
J	REVISD (JC90279)	Y.K S.K	98/11/6	仕上げ FINISH SEE SHEET 2 OF 2
H	REVISD (JC90012)	Y.K S.K	98/7/6	適用電線範囲 WIRE RANGE SEE SHEET 2 OF 2
G	REVISD (JC80619)	Y.K S.K	98/5/6	被覆外径 INS. RANGE SEE SHEET 2 OF 2
F	REVISD & REDRAWN (J1038D)	H.H S.K	91/6/25	DRAWN BY 91/5/18 H.HIRAMOTO CHK'D BY 98/11/9 K.T S.KUNISHI
記号 LTR 変更内容 REVISION RECORD		DR. CHK.	日付 DATE	APP'D BY 98/11/9 M.FUKUSHIMA
角度 ANGLE		±3°		
30 以上 OVER		±0.3		
10 以上 30 未満 UNDER		±0.25		
10 未満 UNDER		±0.2		
一般公差 GENERAL TOLERANCES		REVISE ONLY ON CAD SYSTEM		

EDP. NO. SEE SHEET 2 OF 2  
ENG. NO. SHEET 1 OF 2 REV J  
SD-5556\*\*\*\*

TITLE 名称  
NEW MINI. FIT CONN.  
CRIMP RECEPTACLE

THIS DRAWING CONTAINS INFORMATION THAT IS PROPRIETARY TO MOLEX(JAPAN) AND SHOULD NOT BE USED WITHOUT WRITTEN PERMISSION  
本図面は日本モレックス(株)の所有する情報を含むもので 当社の許可なく複製を禁止する。

ENC. NO SHEET 2 OF 2  
SD-5556\*\*\*\*\*

EDP NO. SEE CHART

MM DIMENSIONS IN METRIC DO NOT SCALE DRAWING

8 7 6 5 4 3 2 1

F  
E  
D  
C  
B

MATERIAL	F	E	D	C	B	A	INS. RANGE	WIRE RANGE	EDP NO.	ENG. NO.	FORM
TIN OVER NICKEL PLATED PHOSPHOR BRONZE	(0.9) .035	(4.5) .177	(3.6) .142	(0.6) .024	(2.7) .106	(2.3) .091	∅ (3.1) .122 MAX.	# 16	39-00-0119 ▲ -0118	5556 PBS3L ▲ PBS3	LOOSE CHAIN
	(0.6) .024	(2.3) .091	(2.3) .091	(0.4) .016	(1.65) .065	(1.8) .071	∅ (0.9-1.8) .035-.071	#22-28	-0117 -0116	PBS2L PBS2	LOOSE CHAIN
	(0.9) .035	(4.5) .177	(3.6) .142	(0.5) .020	(2.3) .091	(1.9) .075	∅ (1.3-3.1) .051-.122	# 18-24	-0115 -0114	PBSL PBS	LOOSE CHAIN
	(0.9) .035	(4.5) .177	(3.6) .142	(0.6) .024	(2.7) .106	(2.3) .091	∅ (3.1) .122 MAX.	# 16	-0080 -0079	PBT3L PBT3	LOOSE CHAIN
TIN PLATED PHOSPHOR BRONZE	(0.6) .024	(2.3) .091	(2.3) .091	(0.4) .016	(1.65) .065	(1.8) .071	∅ (0.9-1.8) .035-.071	#22-28	-0066 -0065	PBT2L PBT2	LOOSE CHAIN
	(0.9) .035	(4.5) .177	(3.6) .142	(0.5) .020	(2.3) .091	(1.9) .075	∅ (1.3-3.1) .051-.122	# 18-24	-0060 -0059	PBTL PBT	LOOSE CHAIN
	(0.9) .035	(4.5) .177	(3.6) .142	(0.6) .024	(2.7) .106	(2.3) .091	∅ (3.1) .122 MAX.	# 16	-0113 -0112	S3L S3	LOOSE CHAIN
	(0.6) .024	(2.3) .091	(2.3) .091	(0.4) .016	(1.65) .065	(1.8) .071	∅ (0.9-1.8) .035-.071	#22-28	-0111 -0110	S2L S2	LOOSE CHAIN
TIN OVER NICKEL PLATED BRASS	(0.9) .035	(4.5) .177	(3.6) .142	(0.5) .020	(2.3) .091	(1.9) .075	∅ (1.3-3.1) .051-.122	# 18-24	-0109 -0108	SL S	LOOSE CHAIN
	(0.9) .035	(4.5) .177	(3.6) .142	(0.6) .024	(2.7) .106	(2.3) .091	∅ (3.1) .122 MAX.	# 16	-0078 -0077	T3L T3	LOOSE CHAIN
	(0.6) .024	(2.3) .091	(2.3) .091	(0.4) .016	(1.65) .065	(1.8) .071	∅ (0.9-1.8) .035-.071	#22-28	-0047 -0046	T2L T2	LOOSE CHAIN
	(0.9) .035	(4.5) .177	(3.6) .142	(0.5) .020	(2.3) .091	(1.9) .075	∅ (1.3-3.1) .051-.122	# 18-24	▼ -0039 39-00-0038	▼ TL 5556 T	LOOSE CHAIN

材料 MATERIAL	SEE CHART	MOLEX-JAPAN CO.,LTD. 日本モレックス株式会社
THICKNESS : (0.203)/.008		
J SEE SHEET 1 OF 2	Y.K S.K '98/11/6	EDP. NO.
H SEE SHEET 1 OF 2	Y.K S.K '98/11/6	SEE CHART
G SEE SHEET 1 OF 2	Y.K S.K '98/5/6	適用電線範囲 WIRE RANGE
F SEE SHEET 1 OF 2	H.H '91/6/25	SEE CHART
記号 LTR	変更内容 REVISION RECORD	DR. CHK. DATE
角度 ANGLE	+3°	
30 以上 OVER	+0.3	
10 以上 30 未満 UNDER	+0.25	
10 未満 UNDER	+0.2	
一般公差 GENERAL TOLERANCES		
REVISE ONLY ON CAD SYSTEM		
DRAWN BY '91/5/18 H.HIRAMOTO	CHK'D BY '98/11/9 K.T S.KUNISHI	TITLE 名称 NEW MINI. FIT CONN. CRIMP RECEPTACLE
APP'D BY '98/11/9 M.FUKUSHIMA	尺度 SCALE 10 - 1	ENG. NO. SHEET 2 OF 2 REV J

THIS DRAWING CONTAINS INFORMATION THAT IS PROPRIETARY TO MOLEX(JAPAN) AND SHOULD NOT BE USED WITHOUT WRITTEN PERMISSION  
本図面は日本モレックス(株)の所有する情報を含むもので 当社の許可なく複製を禁止する。 MXJ-8

5556.S32