

錫メッキ済リン青銅 (板厚: 0.203)	0.9	4.5	3.6	0.5	2.3	1.9	∅ 1.3-3.1	#18-24	39-00-0060	5556 PBTL	バラ状
									↑ -0059	↑ PBT	連鎖状
錫メッキ済黄銅 (板厚: 0.203)	0.6	2.3	2.3	0.4	1.65	1.8	∅ 0.9-1.8	#22-28	-0047	T2L	バラ状
									-0046	T2	連鎖状
	0.9	4.5	3.6	0.5	2.3	1.9	∅ 1.3-3.1	#18-24	↓ -0039	↓ TL	バラ状
									39-00-0038	5556 T	連鎖状
材料	F	E	D	C	B	A	被覆外径	適用電線	EDP NO.	ENG. NO.	端子形状

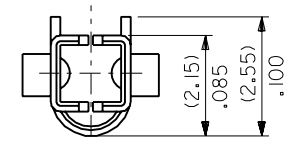
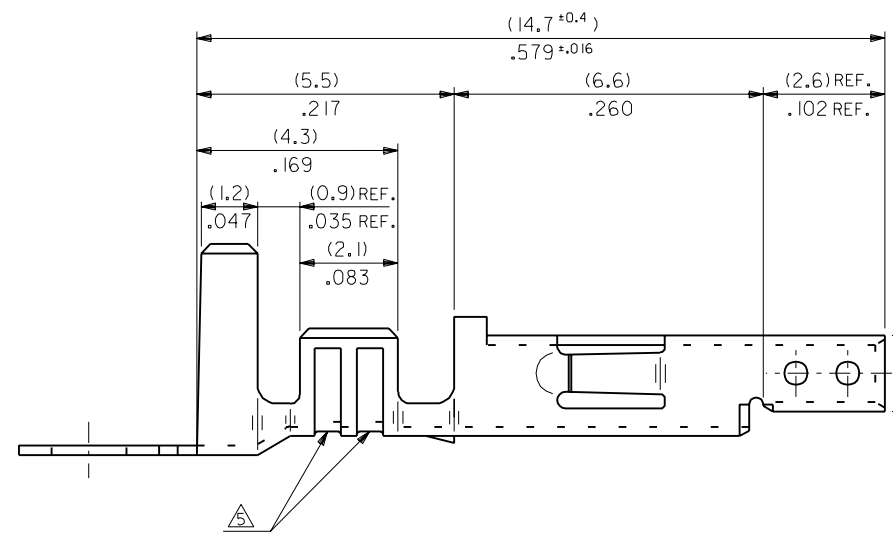
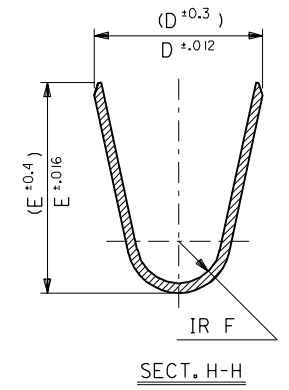
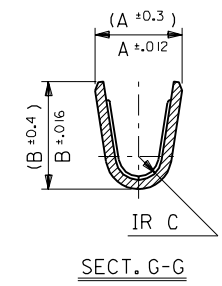
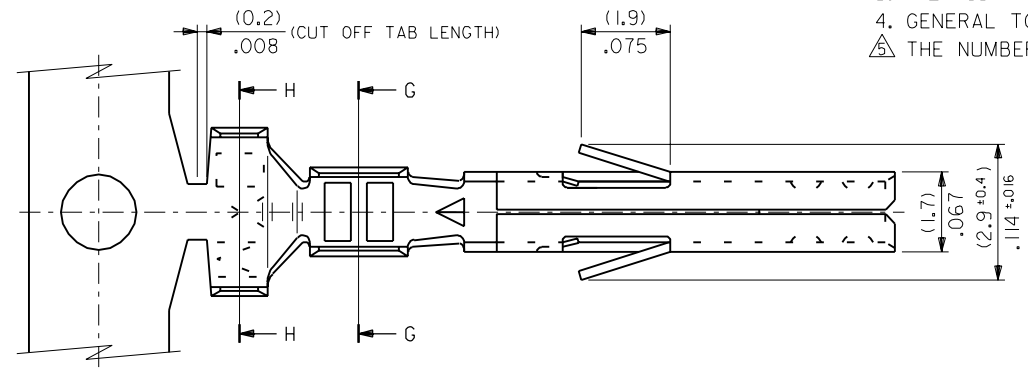
注記

- 適合ハウジング: 5557 シリーズ
 - 嵌合相手: 5558, 5566, 5569 シリーズ
- △ 適用電線が #22-28 の製品のセレーション数は 1 とする。

角度 ANGLE		±3°	F 変更	(JC90279)	Y.K	'98/11/6	材料	表参照	MOLDEX JAPAN CO.,LTD. 日本モレックス株式会社
30 以上 OVER		+0.3	E 変更	(JC80619)	Y.K	'98/5/6	仕上げ FINISH	—H—	
10 以上 30 未満 OVER UNDER		+0.25	D 変更&再作図	(J10380)	H.H	'91/5/21	適用電線範囲 WIRE RANGE	表参照	EDP. NO. 39-00-00**
10 未満 UNDER		+0.2	記号 LTR	変更内容 REVISION RECORD	DR. CHK.	日付 DATE	被覆外径 INS. RANGE	表参照	ENG. NO. SD-5556****
一般公差 GENERAL TOLERANCES			REVISE ONLY ON CAD SYSTEM				DRAWN BY '91/5/18 H.HIRAMOTO	CHK'D BY '98/11/9 K.T.S.KUNISHI	TITLE 名称 NEW MINI. FIT CONN. CRIMP RECEPTACLE
							APP'D BY '98/11/9 M.FUKUSHIMA	尺度 SCALE 10 - 1	REV G

NOTES

1. APPLICABLE HOUSING : 5557 SERIES.
 2. MATES WITH TERMINAL : 5558, 5566, 5569 SERIES.
 3. (METRIC) VALUES SHOWN GOVERN OVER ENGLISH CONVERSION VALUES.
 4. GENERAL TOLERANCES OF ENGLISH CONVERSION VALUES : ±.008 INCH.
- △ THE NUMBER OF SERRATIONS TO BE ONE FOR WIRE RANGE #22-28.




DIMENSIONS IN METRIC DO NOT SCALE DRAWING

				材料 MATERIAL		SEE SHEET 2 OF 2		MOLEX-JAPAN CO.,LTD. 日本モレックス株式会社	
				仕上げ FINISH		SEE SHEET 2 OF 2		EDP. NO.	
				適用電線範囲 WIRE RANGE		SEE SHEET 2 OF 2		SEE SHEET 2 OF 2	
				被覆外径 INS. RANGE		SEE SHEET 2 OF 2		ENG. NO. SHEET 1 OF 2	
				DRAWN BY '91/5/18		CHK'D BY '98/11/9		SD-5556*****	
				REVISED & REDRAWN (JC80619)		'98/5/16		TITLE 名称	
				REVISION RECORD		DATE		NEW MINI. FIT CONN.	
				DR. DATE				CRIMP RECEPTACLE	
				LTR. REVISION RECORD		CHK. DATE		J	
角度 ANGLE ±3° 30以上 OVER ±0.3 10以上 30未滿 UNDER ±0.25 10未滿 UNDER ±0.2 一般公差 GENERAL TOLERANCES		J REVISED (JC90279) '98/11/6 H REVISED (JC90012) '98/7/16 G REVISED (JC80619) '98/5/16 F REVISED & REDRAWN (J1038D) '91/6/25		Y.K. S.K. Y.K. S.K. Y.K. S.K. H.H.		M.FUKUSHIMA M.FUKUSHIMA		SCALE 10 - 1	

THIS DRAWING CONTAINS INFORMATION THAT IS PROPRIETARY TO MOLEX(JAPAN) AND SHOULD NOT BE USED WITHOUT WRITTEN PERMISSION
 本図面は日本モレックス(株)の所有する情報を含むもので 当社の許可なく複製を禁止する。

TIN OVER NICKEL PLATED PHOSPHOR BRONZE	(0.9) .035	(4.5) .177	(3.6) .142	(0.6) .024	(2.7) .106	(2.3) .091	∅ (3.1) MAX. .122	# 16	39-00-0119	5556 PBS3L	LOOSE
									▲ -0118	▲ PBS3	CHAIN
	(0.6) .024	(2.3) .091	(2.3) .091	(0.4) .016	(1.65) .065	(1.8) .071	∅ (0.9-1.8) .035-.071	#22-28	-0116	PBS2L	LOOSE
	(0.9) .035	(4.5) .177	(3.6) .142	(0.5) .020	(2.3) .091	(1.9) .075	∅ (1.3-3.1) .051-.122	# 18-24	-0115	PBSL	LOOSE
								-0114	PBS	CHAIN	
TIN PLATED PHOSPHOR BRONZE	(0.9) .035	(4.5) .177	(3.6) .142	(0.6) .024	(2.7) .106	(2.3) .091	∅ (3.1) MAX. .122	# 16	-0080	PBT3L	LOOSE
									-0079	PBT3	CHAIN
	(0.6) .024	(2.3) .091	(2.3) .091	(0.4) .016	(1.65) .065	(1.8) .071	∅ (0.9-1.8) .035-.071	#22-28	-0066	PBT2L	LOOSE
	(0.9) .035	(4.5) .177	(3.6) .142	(0.5) .020	(2.3) .091	(1.9) .075	∅ (1.3-3.1) .051-.122	# 18-24	-0060	PBTL	LOOSE
								-0059	PBT	CHAIN	
TIN OVER NICKEL PLATED BRASS	(0.9) .035	(4.5) .177	(3.6) .142	(0.6) .024	(2.7) .106	(2.3) .091	∅ (3.1) MAX. .122	# 16	-0113	S3L	LOOSE
									-0112	S3	CHAIN
	(0.6) .024	(2.3) .091	(2.3) .091	(0.4) .016	(1.65) .065	(1.8) .071	∅ (0.9-1.8) .035-.071	#22-28	-0111	S2L	LOOSE
	(0.9) .035	(4.5) .177	(3.6) .142	(0.5) .020	(2.3) .091	(1.9) .075	∅ (1.3-3.1) .051-.122	# 18-24	-0109	SL	LOOSE
								-0108	S	CHAIN	
TIN OVER COPPER PLATED BRASS	(0.9) .035	(4.5) .177	(3.6) .142	(0.6) .024	(2.7) .106	(2.3) .091	∅ (3.1) MAX. .122	# 16	-0078	T3L	LOOSE
									-0077	T3	CHAIN
	(0.6) .024	(2.3) .091	(2.3) .091	(0.4) .016	(1.65) .065	(1.8) .071	∅ (0.9-1.8) .035-.071	#22-28	-0047	T2L	LOOSE
	(0.9) .035	(4.5) .177	(3.6) .142	(0.5) .020	(2.3) .091	(1.9) .075	∅ (1.3-3.1) .051-.122	# 18-24	-0046	T2	CHAIN
								▼ -0039	▼ TL	LOOSE	
								39-00-0038	5556 T	CHAIN	
MATERIAL	F	E	D	C	B	A	INS. RANGE	WIRE RANGE	EDP NO.	ENG. NO.	FORM

材料 MATERIAL		SEE CHART	 MOLEX-JAPAN CO.,LTD. 日本モレックス株式会社
THICKNESS : (0.203)/.008			
J	SEE SHEET 1 OF 2	Y.K. S.K. '98/11/6	EDP. NO.
仕上げ FINISH		SEE CHART	SEE CHART
角度 ANGLE	±3°	H	適用電線範囲 WIRE RANGE
30以上 OVER		G	SEE CHART
10以上 30未滿 UNDER	±0.25	F	SEE CHART
10未滿 UNDER	±0.2	記号 LTR	變更内容 REVISION RECORD
一般公差 GENERAL TOLERANCES		DR. CHK. DATE	被覆外径 INS. RANGE
			DRAWN BY '91/5/18 H.HIRAMOTO
			CHK'D BY '98/11/9 K.T.S.KUNISHI
			APP'D BY '98/11/9 M.FUKUSHIMA
			尺度 SCALE 10 - 1
REVISE ONLY ON CAD SYSTEM			TITLE 名称 NEW MINI. FIT CONN. CRIMP RECEPTACLE