

Distributed by:



[www.Jameco.com](http://www.Jameco.com) ♦ 1-800-831-4242

The content and copyrights of the attached material are the property of its owner.

# Jameco Part Number 304872

## FEATURES AND SPECIFICATIONS

### Features and Benefits

- Crimp terminal for use in all Mini-Fit, Jr., BMI and TPA receptacle housings
- Four gas-tight points of contact on Tin-plated contacts
- HCS offers 3 additional amperes of current

### Reference Information

Packaging: Reel or bag  
 Use With: [5557](#), [30067](#) and [42474](#) housings  
 Designed In: Millimeters

### Electrical

Voltage: 600V  
 Current:  
     Standard—9.0A  
     HCS—12.0A  
 Contact Resistance: 10mΩ max.  
 Dielectric Withstanding Voltage: 1500V  
 Insulation Resistance: 1000 MΩ min.

### Mechanical

Contact Insertion Force: 1.5kg max.  
 Contact Retention to Housing: 3.0kg min.  
 Wire Pull-Out Force: 9.0kg min.  
 Insertion Force to PCB: 5.0kg max.  
 Mating Force: 0.7kg (1.54 lb) max.  
 Unmating Force: 0.35kg (0.7 lb) min.  
 Normal Force: 200g min.  
 Durability: 30 cycles

### Physical

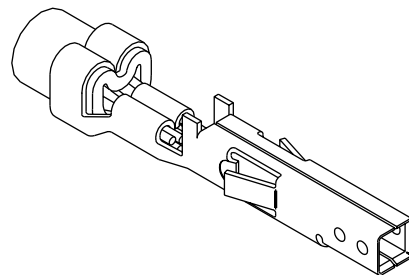
Contact: 5556—Brass or Phosphor Bronze  
           44476—High Copper Alloy  
 \*Plating: See Table  
 Operating Temperature: -40 to 105° C  
 Strip Length: 3.0 (.118) to 3.5mm (.138")



## 4.20mm (.165") Pitch Mini-Fit™ Family Terminal

### 5556/44476

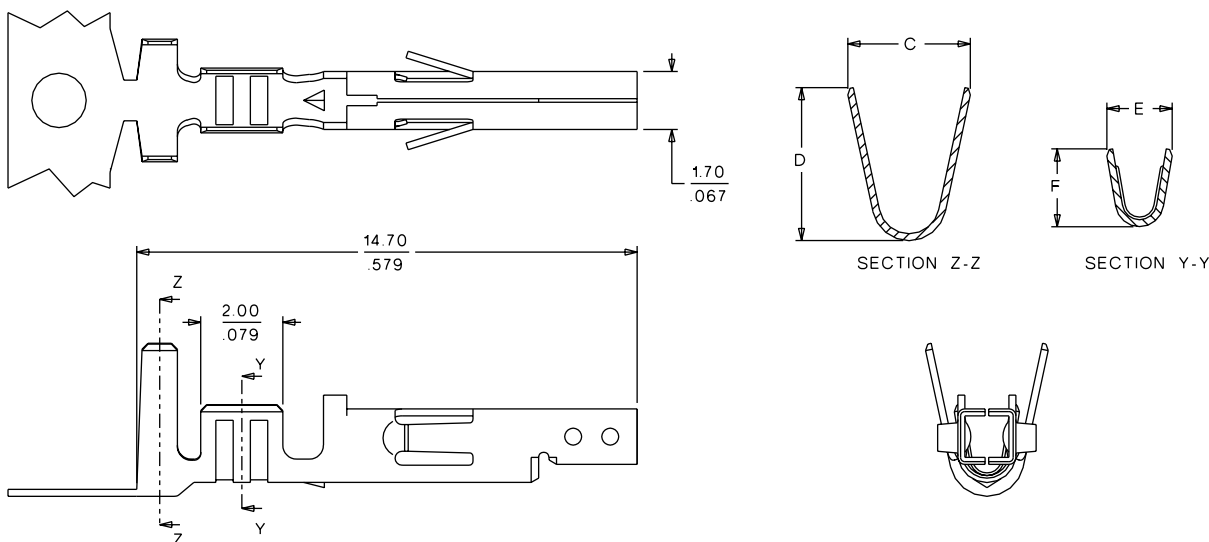
### Crimp, Female



Power Connectors

F

## CATALOG DRAWING (FOR REFERENCE ONLY)



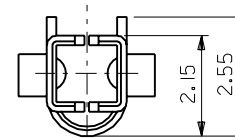
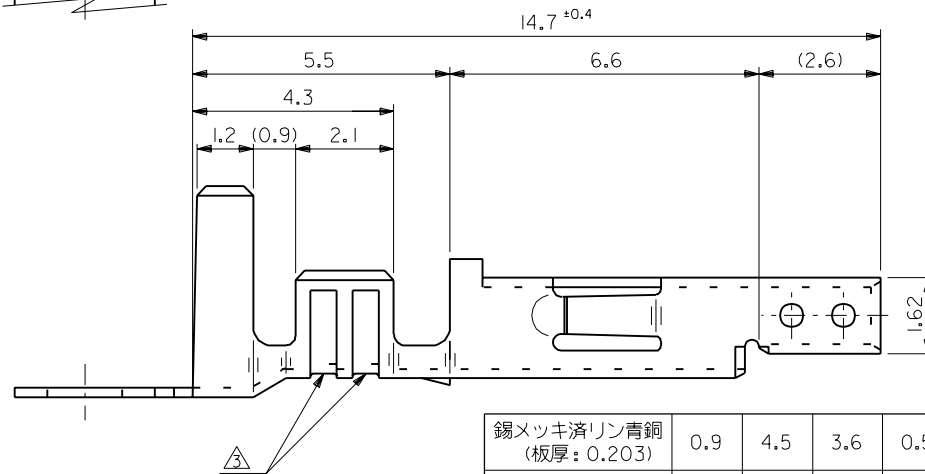
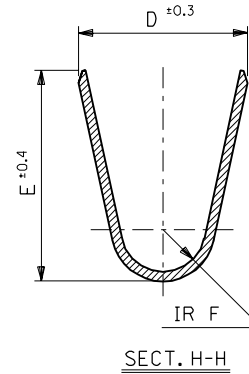
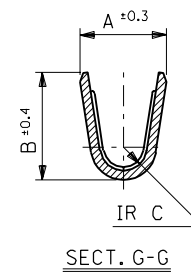
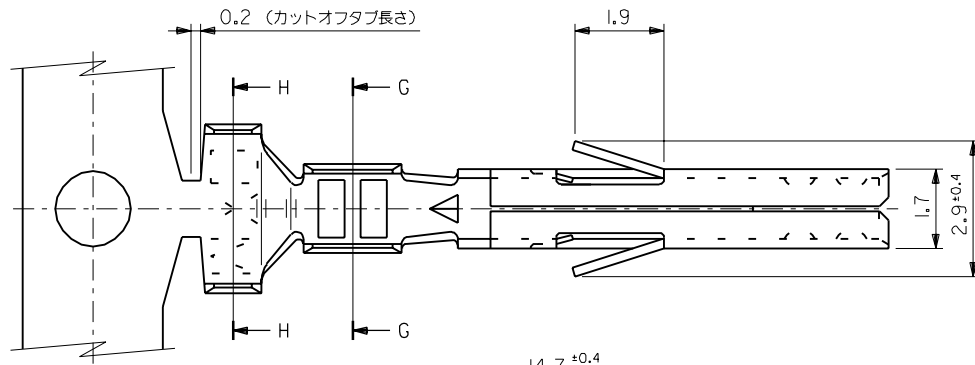
## ORDERING INFORMATION AND DIMENSIONS

Plating*	Wire Size (AWG)	Insulation Range	Order No. 5556		Order No. 44476		Dimension			
			Reel	Bag	Reel	Bag	C	D	E	F
Brass (Pre-plated Tin over Copper)	16	1.80-3.10 (.071-.122)	• 39-00-0077	• 39-00-0078			3.60 (.142)	4.50 (.177)	2.30 (.091)	2.70 (.106)
	18-24	1.30-3.10 (.051-.122)	• 39-00-0038	• 39-00-0039			3.60 (.142)	4.50 (.177)	1.90 (.075)	2.30 (.091)
	22-28	0.90-1.80 (.035-.071)	• 39-00-0046	• 39-00-0047			2.30 (.091)	2.30 (.091)	1.80 (.071)	1.65 (.065)
Brass (Pre-plated Gold over Nickel)	16	1.80-3.10 (.071-.122)	• 39-00-0089	• 39-00-0090			3.60 (.142)	4.50 (.177)	2.30 (.091)	2.70 (.106)
	18-24	1.30-3.10 (.051-.122)	• 39-00-0055	• 39-00-0056			3.60 (.142)	4.50 (.177)	1.90 (.075)	2.30 (.091)
	22-28	0.90-1.80 (.035-.071)	• 39-00-0085	• 39-00-0086			2.30 (.091)	2.30 (.091)	1.80 (.071)	1.65 (.065)
Brass* or Copper† (Post-plated Tin over Nickel)	16	1.80-3.10 (.071-.122)	• 39-00-0211*	• 39-00-0212*	44476-3111	44476-3112	3.60 (.142)	4.50 (.177)	2.30 (.091)	2.70 (.106)
	18-24	1.30-3.10 (.051-.122)	• 39-00-0207*	• 39-00-0208*	44476-1111†	44476-1112†	3.60 (.142)	4.50 (.177)	1.90 (.075)	2.30 (.091)
	22-28	0.90-1.80 (.035-.071)	• 39-00-0209*	• 39-00-0210*			2.30 (.091)	2.30 (.091)	1.80 (.071)	1.65 (.065)
Brass (Post-plated Gold over Nickel)	16	1.80-3.10 (.071-.122)	• 39-00-0167	• 39-00-0168			3.60 (.142)	4.50 (.177)	2.30 (.091)	2.70 (.106)
	18-24	1.30-3.10 (.051-.122)	• 39-00-0163	• 39-00-0164			3.60 (.142)	4.50 (.177)	1.90 (.075)	2.30 (.091)
	22-28	0.90-1.80 (.035-.071)	• 39-00-0165	• 39-00-0166			2.30 (.091)	2.30 (.091)	1.80 (.071)	1.65 (.065)
Phosphor Bronze (Pre-plated Tin)	16	1.80-3.10 (.071-.122)	• 39-00-0079	• 39-00-0080			3.60 (.142)	4.50 (.177)	2.30 (.091)	2.70 (.106)
	18-24	1.30-3.10 (.051-.122)	• 39-00-0059	• 39-00-0060			3.60 (.142)	4.50 (.177)	1.90 (.075)	2.30 (.091)
	22-28	0.90-1.80 (.035-.071)	• 39-00-0065	• 39-00-0066			2.30 (.091)	2.30 (.091)	1.80 (.071)	1.65 (.065)
Phosphor Bronze (Pre-plated Gold over Nickel)	16	1.80-3.10 (.071-.122)	• 39-00-0157	• 39-00-0158			3.60 (.142)	4.50 (.177)	2.30 (.091)	2.70 (.106)
	18-24	1.30-3.10 (.051-.122)	• 39-00-0153	• 39-00-0154			3.60 (.142)	4.50 (.177)	1.90 (.075)	2.30 (.091)
	22-28	0.90-1.80 (.035-.071)	• 39-00-0155	• 39-00-0156			2.30 (.091)	2.30 (.091)	1.80 (.071)	1.65 (.065)
Phosphor Bronze (Post-plated Tin over Nickel)	16	1.80-3.10 (.071-.122)	• 39-00-0217	• 39-00-0218			3.60 (.142)	4.50 (.177)	2.30 (.091)	2.70 (.106)
	18-24	1.30-3.10 (.051-.122)	• 39-00-0213	• 39-00-0214			3.60 (.142)	4.50 (.177)	1.90 (.075)	2.30 (.091)
	22-28	0.90-1.80 (.035-.071)	• 39-00-0215	• 39-00-0216			2.30 (.091)	2.30 (.091)	1.80 (.071)	1.65 (.065)
Phosphor Bronze (Post-plated Gold over Nickel)	16	1.80-3.10 (.071-.122)	• 39-00-0185	• 39-00-0186			3.60 (.142)	4.50 (.177)	2.30 (.091)	2.70 (.106)
	18-24	1.30-3.10 (.051-.122)	• 39-00-0181	• 39-00-0182			3.60 (.142)	4.50 (.177)	1.90 (.075)	2.30 (.091)
	22-28	0.90-1.80 (.035-.071)	• 39-00-0183	• 39-00-0184			2.30 (.091)	2.30 (.091)	1.80 (.071)	1.65 (.065)

\* US Standard Product, available through Molex franchised distributors

† 18 to 20 AWG

\* Tin-plated terminals have 4 points of contact. Gold plated terminals have 2 points of contact.

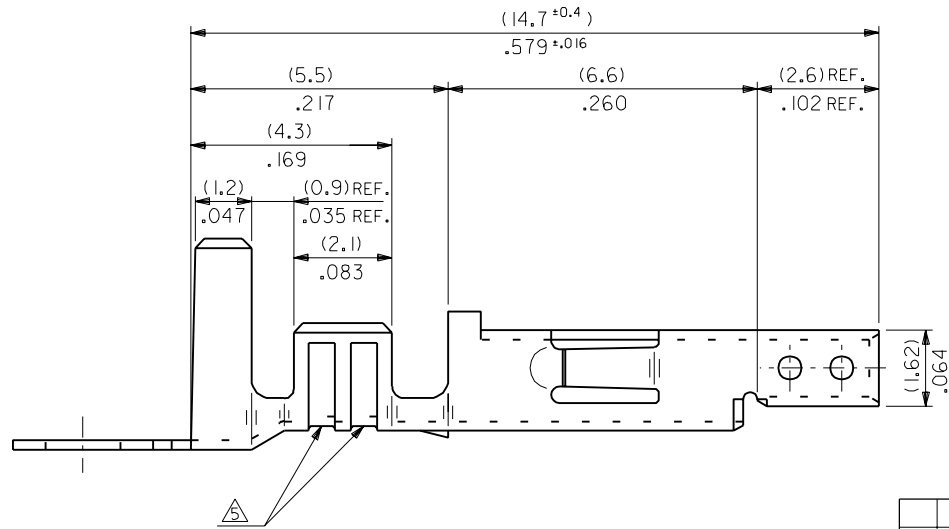
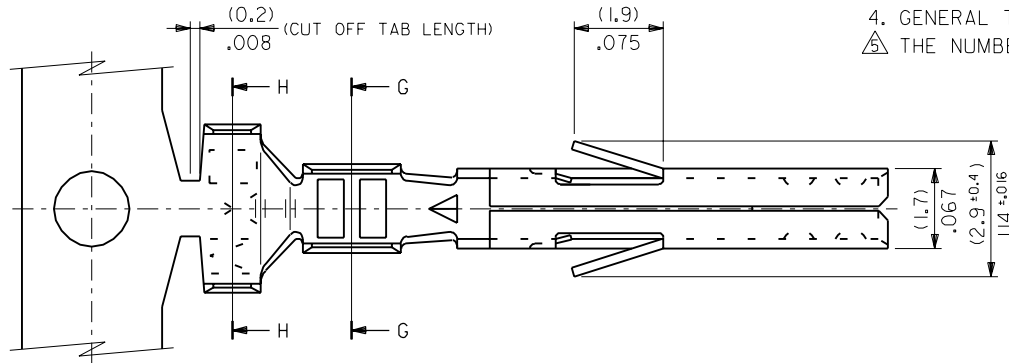


錫メッキ済リン青銅 (板厚: 0.203)	0.9	4.5	3.6	0.5	2.3	1.9	∅ 1.3-3.1	#18-24	39-00-0060	5556 PBTL	バラ状
錫メッキ済黄銅 (板厚: 0.203)	0.6	2.3	2.3	0.4	1.65	1.8	∅ 0.9-1.8	#22-28	-0059	PBT	連鎖状
	0.9	4.5	3.6	0.5	2.3	1.9	∅ 1.3-3.1	#18-24	-0047	T2L	バラ状
									-0046	T2	連鎖状
39-00-0038	5556 T	連鎖状									
材料	F	E	D	C	B	A	被覆外径	適用電線	EDP NO.	ENG. NO.	端子形状

注記

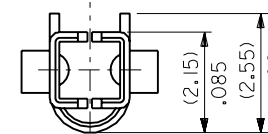
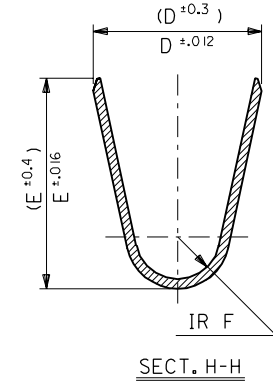
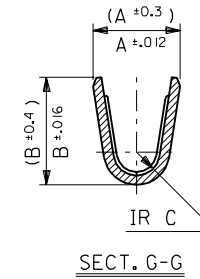
- 適合ハウジング: 5557 シリーズ
- 嵌合相手: 5558, 5566, 5569 シリーズ
- 適用電線が #22-28 の製品のセレーション数は 1 とする。

材料 MATERIAL		表参照		MOLDEX JAPAN CO., LTD. 日本モレックス株式会社	
仕上げ FINISH		—H—		EDP. NO. 39-00-00**	
適用電線範囲 WIRE RANGE		表参照		ENG. NO. SD-5556****	
被覆外径 INS. RANGE		表参照		REV G	
DRAWN BY '91/5/18 H.HIRAMOTO		CHK'D BY '98/11/9 K.T.S.KUNISHI		TITLE 名称 NEW MINI. FIT CONN. CRIMP RECEPTACLE	
APP'D BY '98/11/9 M.FUKUSHIMA		尺 度 SCALE 10 - 1			
角度 ANGLE ±3°		F 変更 (JC90279) Y.K '98/11/6			
30 以上 OVER ±0.3		E 変更 (JC90012) Y.K '98/7/6			
10 以上 30 未満 UNDER ±0.25		D 変更 & 再作図 (J10380) H.H '98/5/6			
10 未満 UNDER ±0.2		記号 LTR 変更内容 DR. CHK. 日付 DATE			
一般公差 GENERAL TOLERANCES		REVISE ONLY ON CAD SYSTEM			



NOTES

1. APPLICABLE HOUSING : 5557 SERIES.
  2. MATES WITH TERMINAL : 5558, 5566, 5569 SERIES.
  3. (METRIC) VALUES SHOWN GOVERN OVER ENGLISH CONVERSION VALUES.
  4. GENERAL TOLERANCES OF ENGLISH CONVERSION VALUES : ±.008 INCH.
- △ THE NUMBER OF SERRATIONS TO BE ONE FOR WIRE RANGE #22-28.



材料 MATERIAL		SEE SHEET 2 OF 2	molex MOLEX-JAPAN CO.,LTD. 日本モレックス株式会社	
J	REVISD (JC90279)	Y.K S.K	98/11/6	仕上げ FINISH SEE SHEET 2 OF 2
H	REVISD (JC90012)	Y.K S.K	98/7/6	適用電線範囲 WIRE RANGE SEE SHEET 2 OF 2
G	REVISD (JC80619)	Y.K S.K	98/5/6	被覆外径 INS. RANGE SEE SHEET 2 OF 2
F	REVISD & REDRAWN (J1038D)	H.H S.K	91/6/25	DRAWN BY 91/5/18 H.HIRAMOTO CHK'D BY 98/11/9 K.T S.KUNISHI
記号 LTR 変更内容 REVISION RECORD		DR. CHK.	日付 DATE	APP'D BY 98/11/9 M.FUKUSHIMA
角度 ANGLE		+3°		
30 以上 OVER		+0.3		
10 以上 30 未満 UNDER		+0.25		
10 未満 UNDER		+0.2		
一般公差 GENERAL TOLERANCES				
REVISE ONLY ON CAD SYSTEM				

EDP NO. SEE SHEET 2 OF 2  
 ENG. NO. SHEET 1 OF 2 REV J  
 SD-5556\*\*\*\*\*


TITLE 名称  
 NEW MINI. FIT CONN.  
 CRIMP RECEPTACLE

EDP NO. SEE CHART  
 ENC. NO SD-5556\*\*\*\*  
 SHEET 2 OF 2  
 :MM DIMENSIONS IN METRIC DO NOT SCALE DRAWING

8 7 6 5 4 3 2 1

F E D C B

MATERIAL	F	E	D	C	B	A	INS. RANGE	WIRE RANGE	EDP NO.	ENG. NO.	FORM
TIN OVER NICKEL PLATED PHOSPHOR BRONZE	(0.9) .035	(4.5) .177	(3.6) .142	(0.6) .024	(2.7) .106	(2.3) .091	∅ (3.1) .122 MAX.	# 16	39-00-0119	5556 PBS3L	LOOSE
	(0.6) .024	(2.3) .091	(2.3) .091	(0.4) .016	(1.65) .065	(1.8) .071	∅ (0.9-1.8) .035-.071	#22-28	▲ -0118	▲ PBS3	CHAIN
	(0.9) .035	(4.5) .177	(3.6) .142	(0.5) .020	(2.3) .091	(1.9) .075	∅ (1.3-3.1) .051-.122	# 18-24	-0117	PBS2L	LOOSE
	(0.6) .024	(2.3) .091	(2.3) .091	(0.4) .016	(1.65) .065	(1.8) .071	∅ (0.9-1.8) .035-.071	#22-28	-0116	PBS2	CHAIN
TIN PLATED PHOSPHOR BRONZE	(0.9) .035	(4.5) .177	(3.6) .142	(0.6) .024	(2.7) .106	(2.3) .091	∅ (3.1) .122 MAX.	# 16	-0115	PBSL	LOOSE
	(0.6) .024	(2.3) .091	(2.3) .091	(0.4) .016	(1.65) .065	(1.8) .071	∅ (0.9-1.8) .035-.071	#22-28	-0114	PBS	CHAIN
	(0.9) .035	(4.5) .177	(3.6) .142	(0.5) .020	(2.3) .091	(1.9) .075	∅ (1.3-3.1) .051-.122	# 18-24	-0080	PBT3L	LOOSE
	(0.6) .024	(2.3) .091	(2.3) .091	(0.4) .016	(1.65) .065	(1.8) .071	∅ (0.9-1.8) .035-.071	#22-28	-0079	PBT3	CHAIN
TIN OVER NICKEL PLATED BRASS	(0.9) .035	(4.5) .177	(3.6) .142	(0.6) .024	(2.7) .106	(2.3) .091	∅ (3.1) .122 MAX.	# 16	-0066	PBT2L	LOOSE
	(0.6) .024	(2.3) .091	(2.3) .091	(0.4) .016	(1.65) .065	(1.8) .071	∅ (0.9-1.8) .035-.071	#22-28	-0065	PBT2	CHAIN
	(0.9) .035	(4.5) .177	(3.6) .142	(0.5) .020	(2.3) .091	(1.9) .075	∅ (1.3-3.1) .051-.122	# 18-24	-0060	PBTL	LOOSE
	(0.6) .024	(2.3) .091	(2.3) .091	(0.4) .016	(1.65) .065	(1.8) .071	∅ (0.9-1.8) .035-.071	#22-28	-0059	PBT	CHAIN
TIN OVER COPPER PLATED BRASS	(0.9) .035	(4.5) .177	(3.6) .142	(0.6) .024	(2.7) .106	(2.3) .091	∅ (3.1) .122 MAX.	# 16	-0113	S3L	LOOSE
	(0.6) .024	(2.3) .091	(2.3) .091	(0.4) .016	(1.65) .065	(1.8) .071	∅ (0.9-1.8) .035-.071	#22-28	-0112	S3	CHAIN
	(0.9) .035	(4.5) .177	(3.6) .142	(0.5) .020	(2.3) .091	(1.9) .075	∅ (1.3-3.1) .051-.122	# 18-24	-0111	S2L	LOOSE
	(0.6) .024	(2.3) .091	(2.3) .091	(0.4) .016	(1.65) .065	(1.8) .071	∅ (0.9-1.8) .035-.071	#22-28	-0110	S2	CHAIN
MATERIAL	(0.9) .035	(4.5) .177	(3.6) .142	(0.6) .024	(2.7) .106	(2.3) .091	∅ (3.1) .122 MAX.	# 16	-0109	SL	LOOSE
	(0.6) .024	(2.3) .091	(2.3) .091	(0.4) .016	(1.65) .065	(1.8) .071	∅ (0.9-1.8) .035-.071	#22-28	-0108	S	CHAIN
	(0.9) .035	(4.5) .177	(3.6) .142	(0.5) .020	(2.3) .091	(1.9) .075	∅ (1.3-3.1) .051-.122	# 18-24	-0078	T3L	LOOSE
	(0.6) .024	(2.3) .091	(2.3) .091	(0.4) .016	(1.65) .065	(1.8) .071	∅ (0.9-1.8) .035-.071	#22-28	-0077	T3	CHAIN
MATERIAL	(0.9) .035	(4.5) .177	(3.6) .142	(0.6) .024	(2.7) .106	(2.3) .091	∅ (3.1) .122 MAX.	# 16	-0047	T2L	LOOSE
	(0.6) .024	(2.3) .091	(2.3) .091	(0.4) .016	(1.65) .065	(1.8) .071	∅ (0.9-1.8) .035-.071	#22-28	-0046	T2	CHAIN
	(0.9) .035	(4.5) .177	(3.6) .142	(0.5) .020	(2.3) .091	(1.9) .075	∅ (1.3-3.1) .051-.122	# 18-24	▼ -0039	▼ TL	LOOSE
	(0.6) .024	(2.3) .091	(2.3) .091	(0.4) .016	(1.65) .065	(1.8) .071	∅ (0.9-1.8) .035-.071	#22-28	39-00-0038	5556 T	CHAIN

材料 MATERIAL		SEE CHART	 MOLEX-JAPAN CO.,LTD. 日本モレックス株式会社
THICKNESS : (0.203)/.008			
仕上げ FINISH		SEE CHART	EDP. NO.
適用電線範囲 WIRE RANGE		SEE CHART	SEE CHART
被覆外径 INS. RANGE		SEE CHART	ENG. NO. SHEET 2 OF 2 REV
DRAWN BY 9/15/18 H.HIRAMOTO		CHK'D BY 98/11/9 K.T.S.KUNISHI	SD-5556**** J
APPR'D BY 98/11/9 M.FUKUSHIMA		尺度 SCALE 10 - 1	TITLE 名称 NEW MINI. FIT CONN. CRIMP RECEPTACLE

角度 ANGLE	+3°	J SEE SHEET 1 OF 2	Y.K. S.K. 98/11/6
30 以上 OVER	+0.3	H SEE SHEET 1 OF 2	Y.K. S.K. 98/11/6
10 以上 30 未満 UNDER	+0.25	G SEE SHEET 1 OF 2	Y.K. S.K. 98/5/6
10 未満 UNDER	+0.2	F SEE SHEET 1 OF 2	H.H. 9/16/25
一般公差 GENERAL TOLERANCES		記号 LTR 変更内容 REVISION RECORD	DR. CHK. DATE

THIS DRAWING CONTAINS INFORMATION THAT IS PROPRIETARY TO MOLEX(JAPAN) AND SHOULD NOT BE USED WITHOUT WRITTEN PERMISSION  
 本図面は日本モレックス(株)の所有する情報を含むもので 当社の許可なく複製を禁止する。 MXJ-8

5556.S32