

Distributed by:

JAMECO[®]
ELECTRONICS

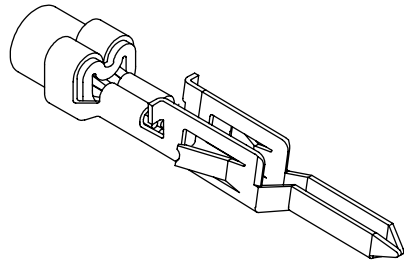
www.Jameco.com ♦ 1-800-831-4242

The content and copyrights of the attached
material are the property of its owner.

Jameco Part Number 1968363

4.20mm (.165") Pitch Mini-Fit Plus™ Terminal

46134
Crimp, Male



Features and Benefits

- Post-plated contacts for superior electrical performance over time
- Locking tangs assure high contact retention to the housing

Reference Information

Packaging: Reel or bag
Use With: 5559, 42475 and 30068 housings

Electrical

Voltage: 600V
Current: When mating 2-circuit connectors

	16 AWG	18 AWG	20 AWG	22 AWG	24 AWG
Brass	9.0A	9.0A	7.0A	5.0A	4.0A
Phosphor Bronze	8.0A	8.0A	6.0A	4.0A	3.0A

Contact Resistance: 10 milliohms max.
Dielectric Withstanding Voltage: 1500V
Insulation Resistance: 1000 Megohms min.

Mechanical

Contact Insertion Force: 1.5kg max.
Contact Retention to Housing: 3.0kg min.
Wire Pull-Out Force: 9.0kg min.
Durability: Tin—75 cycles
Gold—100 cycles

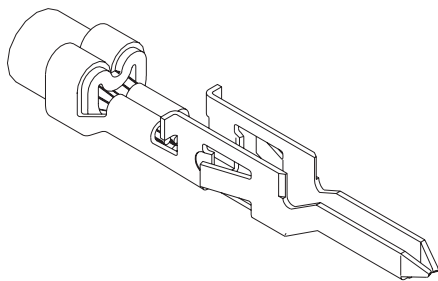
Physical

Contact: Brass or Phosphor Bronze
Plating: Tin or Select Gold
Underplating: Nickel
Operating Temperature: -40 to +105°C

Base Material	Plating	Insulation Range	Wire Range AWG	Reel	Bag	Lead-free
Brass	Tin	2.20-3.15mm	16	46134-3111	46134-3112	Yes
		1.65-2.95mm	18-20	46134-1111	46134-1112	
		1.20-1.80mm	22-24	46134-2111	46134-2112	
	Select Gold	2.20-3.15mm	16	46134-3211	46134-3212	
		1.65-2.95mm	18-20	46134-1211	46134-1212	
		1.20-1.80mm	22-24	46134-2211	46134-2212	
Phosphor Bronze	Tin	2.20-3.15mm	16	46134-3121	46134-3122	
		1.65-2.95mm	18-20	46134-1121	46134-1122	
		1.20-1.80mm	22-24	46134-2121	46134-2122	
	Select Gold	2.20-3.15mm	16	46134-3221	46134-3222	
		1.65-2.95mm	18-20	46134-1221	46134-1222	
		1.20-1.80mm	22-24	46134-2221	46134-2222	

4.20mm (.165") Pitch Mini-Fit® Family Terminal

5558
Crimp, Male



Features and Benefits

- Four gas-tight points of contact on Tin-plated contacts

Reference Information

Packaging: Reel or bag
Use With: 5559, 42475 and 30068 housings
Designed In: Millimeters

Electrical

Voltage: 600V
Current: 16 AWG—9.0A max.
Contact Resistance: 10 milliohms max.
Dielectric Withstanding Voltage: 1500V
Insulation Resistance: 1000 Megohms min.

Mechanical

Contact Insertion Force: 1.5kg max.
Contact Retention to Housing: 3.0kg min.
Wire Pull-Out Force: 9.0kg min.
Durability: 30 cycles

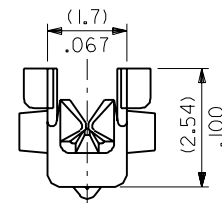
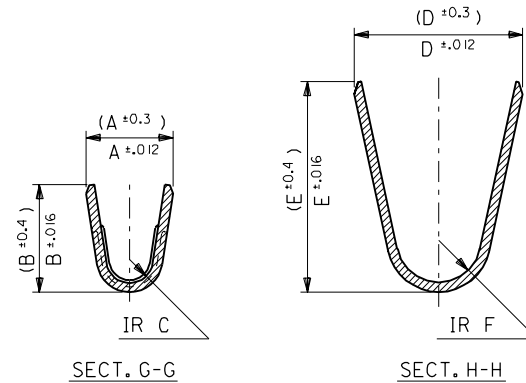
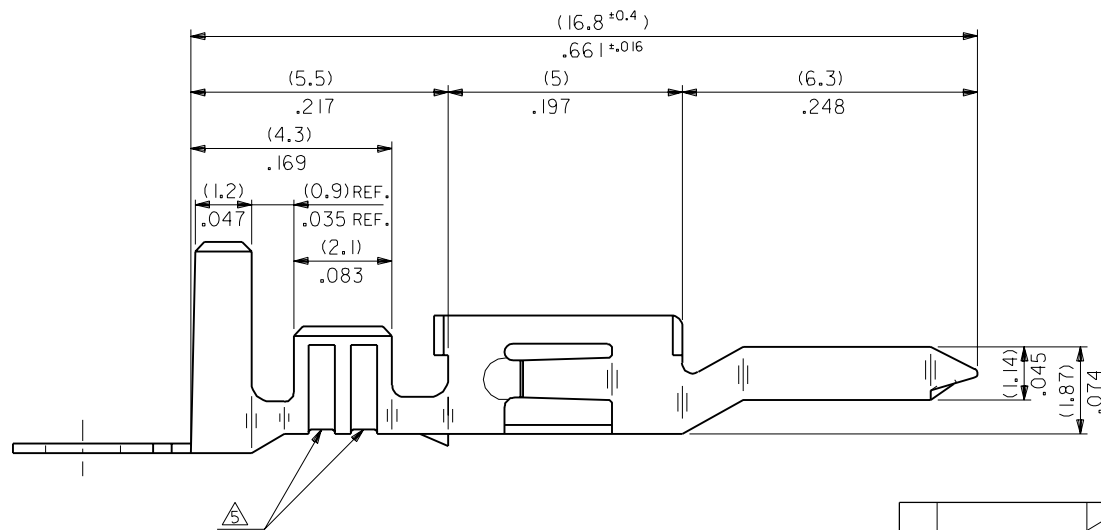
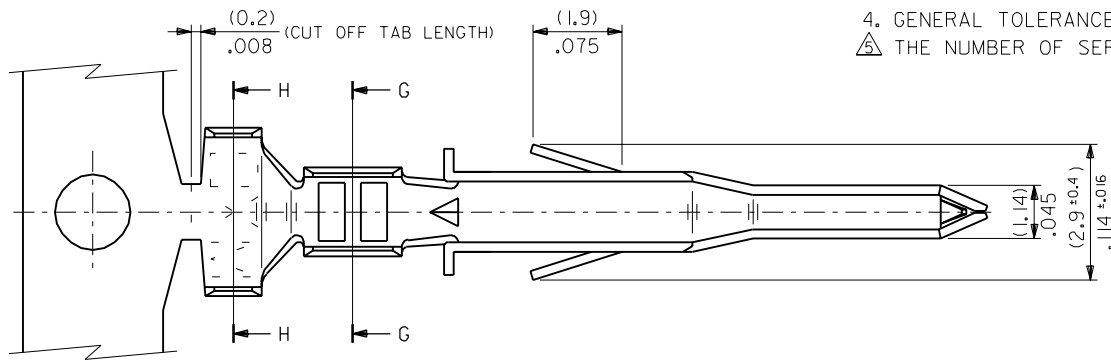
Physical

Contact: Brass or Phosphor Bronze
Plating: Pre-plated Tin
Underplating: Copper
Operating Temperature: -40 to +105°C

Contact Material	Wire Size (AWG)	Order No.		Lead-free
		Reel	Bag	
Brass	16	39-00-0081	39-00-0082	Yes
	18-24	39-00-0040	39-00-0041	
Phosphor Bronze	16	39-00-0083	39-00-0084	
	18-24	39-00-0061	39-00-0062	

NOTES

1. APPLICABLE HOUSING : 5559 SERIES
 2. MATES WITH TERMINAL : 5556 SERIES
 3. (METRIC) VALUES SHOWN GOVERN OVER ENGLISH CONVERSION VALUES.
 4. GENERAL TOLERANCES OF ENGLISH CONVERSION VALUES : ±.008 INCH
- △ THE NUMBER OF SERRATIONS TO BE ONE FOR WIRE RANGE #22-28.



		材料 MATERIAL		SEE SHEET 2 OF 2	MOLEX-JAPAN CO.,LTD. 日本モレックス株式会社
K		REVISED (JC90012)	Y.K. S.K.	'98/7/6	
J		REVISED (JC80619)	Y.K. S.K.	'98/5/6	EDP. NO. SEE SHEET 2 OF 2
H		REVISED (J20428)	H.H. Y.Y.	'92/5/20	適用電線範囲 WIRE RANGE SEE SHEET 2 OF 2
G		REVISED (J10381)	H.H. Y.Y.	'96/6/25	INS. RANGE SEE SHEET 2 OF 2
F		REVISED & REDRAWN (J10202)	H.H. Y.Y.	'94/4/27	被覆外径 INS. RANGE SEE SHEET 2 OF 2
角度 ANGLE ±3° 30以上 OVER ±0.3 10以上 30未満 UNDER ±0.25 10未満 UNDER ±0.2 一般公差 GENERAL TOLERANCES		記号 LTR 変更内容 REVISION RECORD DR. CHK. 日付 DATE		DRAWN BY '91/3/12 H.HIRAMOTO APP'D BY '98/7/7 M.FUKUSHIMA CHK'D BY '98/7/7 K.T.S.KUNISHI 尺度 SCALE 10 - 1	TITLE 名称 NEW MINI. FIT CONN. CRIMP PIN
REVISION RECORD				REVISE ONLY ON CAD SYSTEM	

ENG. NO SD-5558***** SHEET 2 OF 2

EDP NO. SEE CHART

MM DIMENSIONS IN METRIC DO NOT SCALE DRAWING

8

7

6

5

4

3

2

1

F

E

D

C

B

TIN PLATED PHOSPHOR BRONZE	(0.9) .035	(4.5) .177	(3.6) .142	(0.6) .024	(2.7) .106	(2.3) .091	∅ (3.1) .122 MAX.	# 16	39-00-0084	5558 PBT3L	LOOSE
	(0.6) .024	(2.3) .091	(2.3) .091	(0.4) .016	(1.65) .065	(1.8) .071	∅ (0.9-1.8) .035-.071	#22-28	-0083	PBT3	CHAIN
	(0.9) .035	(4.5) .177	(3.6) .142	(0.5) .020	(2.3) .091	(1.9) .075	∅ (1.3-3.1) .051-.122	# 18-24	-0068	PBT2L	LOOSE
TIN OVER COPPER PLATED BRASS	(0.6) .024	(2.3) .091	(2.3) .091	(0.4) .016	(1.65) .065	(1.8) .071	∅ (0.9-1.8) .035-.071	#22-28	-0067	PBT2	CHAIN
	(0.9) .035	(4.5) .177	(3.6) .142	(0.5) .020	(2.3) .091	(1.9) .075	∅ (1.3-3.1) .051-.122	# 18-24	-0062	PBTL	LOOSE
	(0.9) .035	(4.5) .177	(3.6) .142	(0.6) .024	(2.7) .106	(2.3) .091	∅ (3.1) .122 MAX.	# 16	-0061	PBT	CHAIN
MATERIAL	F	E	D	C	B	A	INS. RANGE	WIRE RANGE	EDP NO.	ENG. NO.	FORM

材料 MATERIAL	SEE CHART	moLEX MOLEX-JAPAN CO.,LTD. 日本モレックス株式会社
THICKNESS : (0.203)/.008		
仕上げ FINISH	SEE CHART	EDP. NO.
適用電線範囲 WIRE RANGE	SEE CHART	SEE CHART
被覆外径 INS. RANGE	SEE CHART	ENG. NO. SHEET 2 OF 2 REV SD-5558**** K
DRAWN BY 9/3/02 H.HIRAMOTO	CHK'D BY 9/7/02 K.T.S.KUNISHI	TITLE 名称 NEW MINI. FIT CONN. CRIMP PIN
APP'D BY 9/7/02 M.FUKUSHIMA	尺度 SCALE 10 - 1	

角度 ANGLE	+3°
30 以上 OVER	+0.3
10 以上 30 未満 OVER UNDER	+0.25
10 未満 UNDER	+0.2
一般公差 GENERAL TOLERANCES	

REVISION RECORD
記号 LTR 変更内容 DR. CHK. 日付 DATE

THIS DRAWING CONTAINS INFORMATION THAT IS PROPRIETARY TO MOLEX(JAPAN) AND SHOULD NOT BE USED WITHOUT WRITTEN PERMISSION
本図面は日本モレックス(株)の所有する情報を含むので 当社の許可なく複製を禁止する。 MXJ-8

5558.S32 A