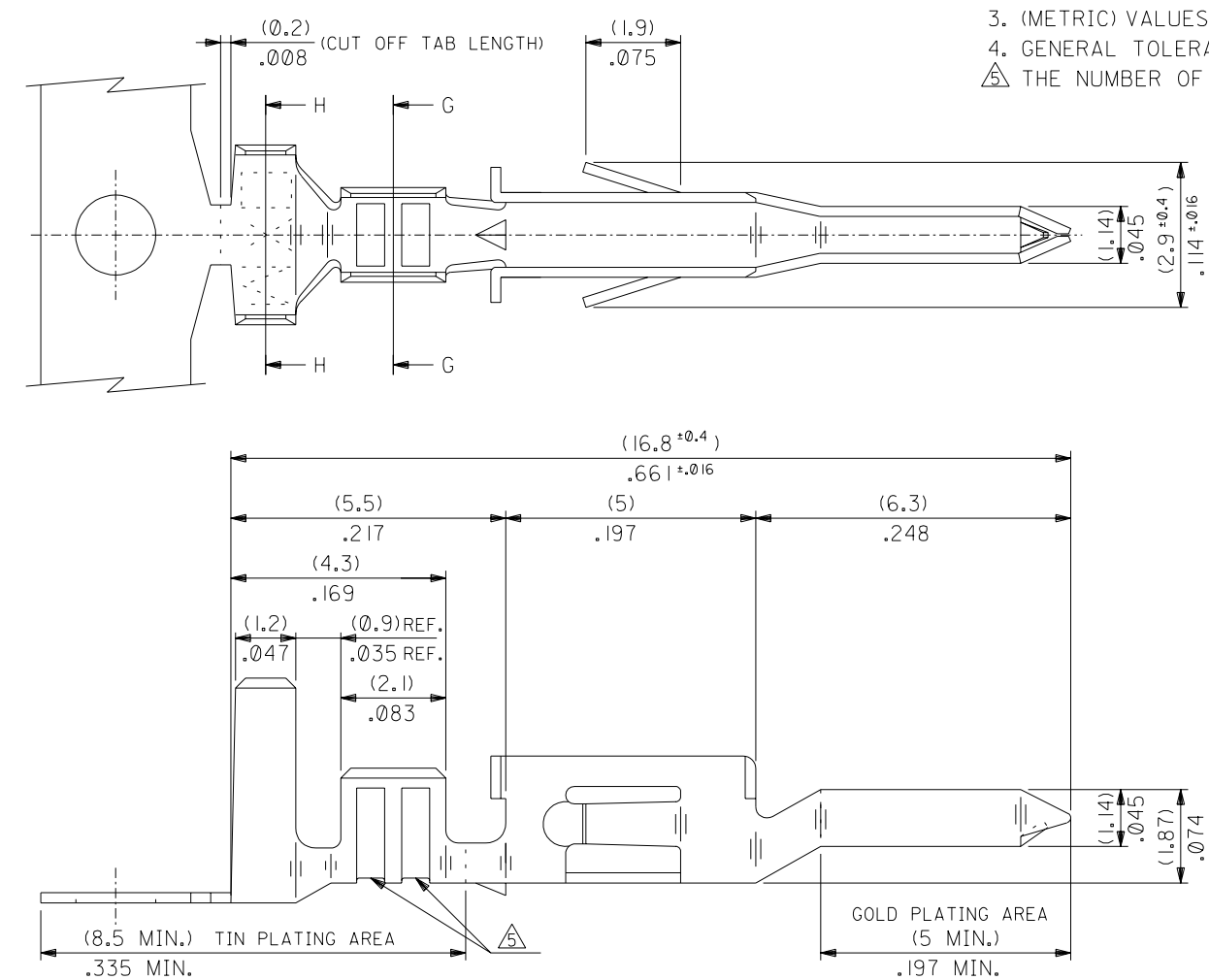
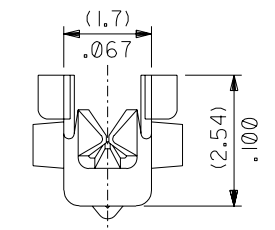
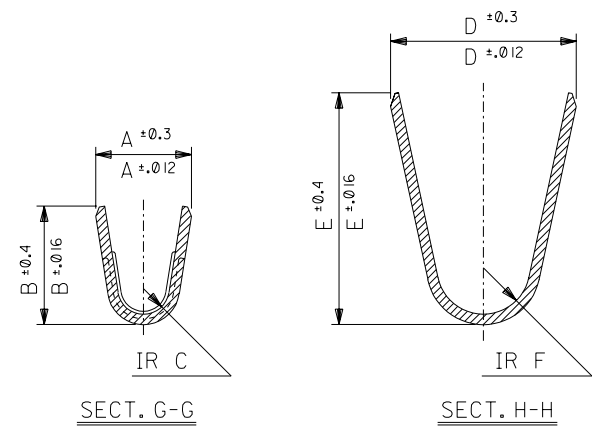


EDP NO. SHEET 1 OF 2
SD-5558**GS**
ENG. NO. SHEET 2 OF 2
SEE SHEET 2 OF 2
DIMENSIONS IN METRIC DO NOT SCALE DRAWING



- NOTES
1. APPLICABLE HOUSING : 5559 SERIES
 2. MATES WITH TERMINAL : 5556 SERIES
 3. (METRIC) VALUES SHOWN GOVERN OVER ENGLISH CONVERSION VALUES.
 4. GENERAL TOLERANCES OF ENGLISH CONVERSION VALUES : ±.008 INCH
- △ THE NUMBER OF SERRATIONS TO BE ONE FOR WIRE RANGE #22-28.



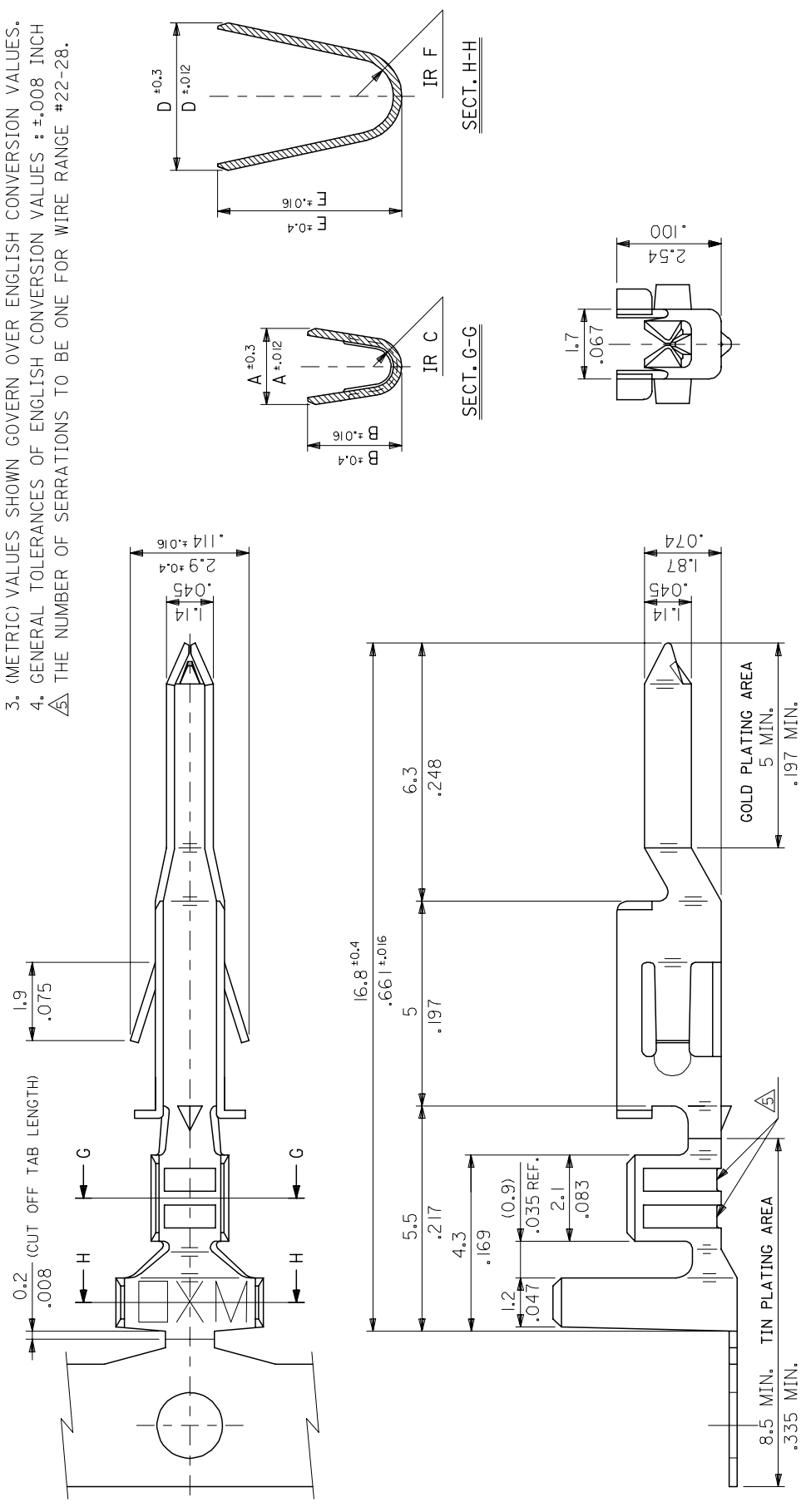
						材料 MATERIAL	SEE SHEET 2 OF 2	MOLEX-JAPAN CO.,LTD. 日本モレックス株式会社	
						仕上げ FINISH	SEE SHEET 2 OF 2		EDP. NO. SEE SHEET 2 OF 2
						適用電線範囲 WIRE RANGE	SEE SHEET 2 OF 2	ENG. NO. SHEET 1 OF 2	
						被覆外径 INS. RANGE	SEE SHEET 2 OF 2	SD-5558**GS**	
角度 ANGLE	±3°	D	REVISED (J2004-3266)	Y.S. K.T.	04/48	DRAWN BY	'91/3/13 H.HIRAMOTO	CHK'D BY '92/05/21 M.FUKUSHIMA	TITLE 名称 NEW MINI. FIT CONN. CRIMP PIN -LEAD FREE-
30 以上 OVER	+0.3	C	REVISED (J10381)	H.H	'91/6/25	APP'D BY	'92/05/21 M.ENOMOTO	尺度 SCALE 10 - 1	REV D
10 以上 OVER	+0.25	B	REVISED & REDRAWN (J10202)	H.H	'91/4/27	DR. CHK.	DATE		
10 未満 UNDER	+0.2		変更内容 REVISION RECORD	DR. CHK.	日付 DATE				
一般公差 GENERAL TOLERANCES		REVISE ONLY ON CAD SYSTEM							

THIS DRAWING CONTAINS INFORMATION THAT IS PROPRIETARY TO MOLEX(JAPAN) AND SHOULD NOT BE USED WITHOUT WRITTEN PERMISSION
本図面は日本モレックス(株)の所有する情報を含むもので 会社の許可なく複製を禁止する。

MATERIAL	FINISH	F	E	D	C	B	A	INS. RANGE	WIRE RANGE	EDP NO.	MATERIAL NO.	FORM
PHOSPHOR BRONZE	SELECTIVE GOLD (0.76μm)/30m.i. MIN. AND SELECTIVE TIN (2.03μm)/80m.i. MIN. OVER NICKEL (1.27μm)/50m.i. MIN.	(0.9) .035	(4.5) .177	(3.6) .142	(0.6) .024	(2.7) .106	(2.3) .091	∅ (3.1) .122 MAX.	# 16	39-00-0224	5558 PBGS3L	LOOSE
		(0.6) .024	(2.3) .091	(2.3) .091	(0.4) .016	(1.65) .065	(1.8) .071	∅ (0.9-1.8) .035-.071	#22-28	↑ -0223	↑ PBGS3	CHAIN
		(0.9) .035	(4.5) .177	(3.6) .142	(0.5) .020	(2.3) .091	(1.9) .075	∅ (1.3-3.1) .051-.122	# 18-24	-0222	PBGS2L	LOOSE
										-0221	PBGS2	CHAIN
										-0220	PBGS L	LOOSE
										-0219	PBGS	CHAIN
										-0148	GS9L	LOOSE
										-0147	GS9	CHAIN
										↓ -0146	GS8L	LOOSE
BRASS	SELECTIVE GOLD (1.27μm)/50m.i. MIN. AND SELECTIVE TIN (2.54μm)/100m.i. MIN. OVER NICKEL (1.27μm)/50m.i. MIN.	(0.9) .035	(4.5) .177	(3.6) .142	(0.6) .024	(2.7) .106	(2.3) .091	∅ (3.1) .122 MAX.	# 16	39-00-0145	GS8	CHAIN
		(0.6) .024	(2.3) .091	(2.3) .091	(0.4) .016	(1.65) .065	(1.8) .071	∅ (0.9-1.8) .035-.071	#22-28	40-13-0854	GS7L	LOOSE
		(0.9) .035	(4.5) .177	(3.6) .142	(0.5) .020	(2.3) .091	(1.9) .075	∅ (1.3-3.1) .051-.122	# 18-24	40-13-0853	GS7	CHAIN
										39-00-0100	GS6L	LOOSE
										↑ -0099	GS6	CHAIN
										-0098	GS5L	LOOSE
	SELECTIVE GOLD (0.38μm)/15m.i. MIN. AND SELECTIVE TIN (2.03μm)/80m.i. MIN. OVER NICKEL (1.27μm)/50m.i. MIN.	(0.6) .024	(2.3) .091	(2.3) .091	(0.4) .016	(1.65) .065	(1.8) .071	∅ (0.9-1.8) .035-.071	#22-28	-0097	GS5	CHAIN
		(0.9) .035	(4.5) .177	(3.6) .142	(0.5) .020	(2.3) .091	(1.9) .075	∅ (1.3-3.1) .051-.122	# 18-24	-0076	GS4L	LOOSE
										-0075	GS4	CHAIN
		(0.9) .035	(4.5) .177	(3.6) .142	(0.6) .024	(2.7) .106	(2.3) .091	∅ (3.1) .122 MAX.	# 16	-0096	GS3L	LOOSE
		(0.6) .024	(2.3) .091	(2.3) .091	(0.4) .016	(1.65) .065	(1.8) .071	∅ (0.9-1.8) .035-.071	#22-28	-0095	GS3	CHAIN
		(0.9) .035	(4.5) .177	(3.6) .142	(0.5) .020	(2.3) .091	(1.9) .075	∅ (1.3-3.1) .051-.122	# 18-24	-0433	GS2L7F	LOOSE
										-0432	GS27F	CHAIN
										↓ -0431	↓ GSL7F	LOOSE
										39-00-0430	5558 GS7F	CHAIN

材料 MATERIAL		SEE CHART		MOLEX-JAPAN CO.,LTD. 日本モレックス株式会社	
THICKNESS : (0.203)/.008					
仕上げ FINISH		SEE CHART		EDP. NO.	
適用電線範囲 WIRE RANGE		SEE CHART		SEE CHART	
被覆外径 INS. RANGE		SEE CHART		ENG. NO. SHEET 2 OF 2 REV D	
DRAWN BY '91/3/13 H.HIRAMOTO		CHK'D BY '92/05/21 M.FUKUSHIMA		TITLE 名称	
APP'D BY '92/05/21 M.ENOMOTO		尺度 SCALE 10 - 1		NEW MINI. FIT CONN. CRIMP PIN -LEAD FREE-	
角度 ANGLE	±3°	D	SEE SHEET 1 OF 2	Y.S. K.T.	04/4/8
30 以上 OVER	+0.3	C	SEE SHEET 1 OF 2	H.H.	'91/6/25
10 以上 OVER 30 未満 UNDER	+0.25	B	SEE SHEET 1 OF 2	H.H. Y.Y.	'91/4/27
10 未満 UNDER	+0.2	A	SEE SHEET 1 OF 2	DR. CHK.	日付 DATE
記号 変更内容 REVISION RECORD					
一般公差 GENERAL TOLERANCES		REVISE ONLY ON CAD SYSTEM			

- NOTES
1. APPLICABLE HOUSING : 5559 SERIES
 2. MATES WITH TERMINAL : 5556 SERIES
 3. (METRIC) VALUES SHOWN GOVERN OVER ENGLISH CONVERSION VALUES.
 4. GENERAL TOLERANCES OF ENGLISH CONVERSION VALUES : ±.008 INCH
- △ THE NUMBER OF SERRATIONS TO BE ONE FOR WIRE RANGE #22-28.



GENERAL TOLERANCES (UNLESS SPECIFIED) 10 UNDER ±0.2 10 OVER 30 UNDER ±0.25 30 OVER ±0.3 ANGULAR ±3° DRAFT WHERE APPLICABLE MUST REMAIN WITHIN DIMENSIONS		DIMENSION STYLE MM ONLY	SCALE 10:1	DESIGN UNITS METRIC	THIRD ANGLE PROJECTION
REVISIONS REV. NO. 2285 FC NO. J2005-2285 DRWN: MNABE CHKD: KTOJO APPR: NUKITA 2005/07/06 2005/07/06 2005/07/12		DRAWN BY H. HIRAMOTO '91/03/13	CHECKED BY M. FUKUSHIMA '92/05/21	APPROVED BY M. ENOMOTO '92/05/21	TITLE NEW MINI FIT CONN CRIMP PIN -LEAD FREE-
MATERIAL NO. SEE CHART		DOCUMENT NO. MOLEX INCORPORATED SD-5558-002	SHEET NO. 1 OF 2		

	10	9	8	7	6	5	4	3	2	1
F										
E										
D										
C										
B										
A										

MATERIAL	F	E	D	C	B	A	INS. RANGE	WIRE RANGE	EDP NO.	ENG NO.	FORM
SELECTIVE GOLD 0.76µm /30m.i. MIN. AND SELECTIVE TIN 2.03µm /80m.i. MIN. OVER NICKEL 1.27µm /50m.i. MIN.	0.9 .035	4.5 .177	3.6 .142	0.6 .024	2.7 .106	2.3 .091	3.1 .122 MAX.	# 16	39-00-0224 ▲ -0223	5558 PBGS3L	LOOSE CHAIN
SELECTIVE GOLD 1.27µm /50m.i. MIN. AND SELECTIVE TIN 2.54µm /100m.i. MIN. OVER NICKEL 1.27µm /50m.i. MIN.	0.9 .035	4.5 .177	3.6 .142	0.6 .024	2.7 .106	2.3 .091	3.1 .122 MAX.	# 16	▲ -0148 -0147	GS9L GS9	LOOSE CHAIN
SELECTIVE GOLD 0.38µm /15m.i. MIN. AND SELECTIVE TIN 2.03µm /80m.i. MIN. OVER NICKEL 1.27µm /50m.i. MIN.	0.6 .024	2.3 .091	2.3 .091	0.4 .016	1.65 .065	1.8 .071	0.9-1.8 .035-.071	# 22-28	▼ -0146 39-00-0145	GS8L GS8	LOOSE CHAIN
SELECTIVE GOLD 0.76µm /30m.i. MIN. AND SELECTIVE TIN 2.03µm /80m.i. MIN. OVER NICKEL 1.27µm /50m.i. MIN.	0.9 .035	4.5 .177	3.6 .142	0.5 .020	2.3 .091	1.9 .075	1.3-3.1 .051-.122	# 18-24	40-13-0854 40-13-0853	GS7L GS7	LOOSE CHAIN
SELECTIVE GOLD 0.76µm /30m.i. MIN. AND SELECTIVE TIN 2.03µm /80m.i. MIN. OVER NICKEL 1.27µm /50m.i. MIN.	0.9 .035	4.5 .177	3.6 .142	0.6 .024	2.7 .106	2.3 .091	3.1 .122 MAX.	# 16	▲ -0099 -0098	GS6L GS6	LOOSE CHAIN
SELECTIVE GOLD 0.76µm /30m.i. MIN. AND SELECTIVE TIN 2.03µm /80m.i. MIN. OVER NICKEL 1.27µm /50m.i. MIN.	0.6 .024	2.3 .091	2.3 .091	0.4 .016	1.65 .065	1.8 .071	0.9-1.8 .035-.071	# 22-28	-0097	GS5L GS5	LOOSE CHAIN
	0.9 .035	4.5 .177	3.6 .142	0.5 .020	2.3 .091	1.9 .075	1.3-3.1 .051-.122	# 18-24	-0076 -0075	GS4L GS4	LOOSE CHAIN
	0.9 .035	4.5 .177	3.6 .142	0.6 .024	2.7 .106	2.3 .091	3.1 .122 MAX.	# 16	-0096 -0095	GS3L GS3	LOOSE CHAIN
	0.6 .024	2.3 .091	2.3 .091	0.4 .016	1.65 .065	1.8 .071	0.9-1.8 .035-.071	# 22-28	-0433 -0432	GS2L7F GS27F	LOOSE CHAIN
	0.9 .035	4.5 .177	3.6 .142	0.5 .020	2.3 .091	1.9 .075	1.3-3.1 .051-.122	# 18-24	▼ -0431	GS17F	LOOSE CHAIN
	0.9 .035	4.5 .177	3.6 .142	0.6 .024	2.7 .106	2.3 .091	3.1 .122 MAX.	# 16	39-00-0430	5558 GS7F	LOOSE CHAIN

GENERAL TOLERANCES (UNLESS SPECIFIED)		SCALE 10:1		DESIGN UNITS METRIC		THIRD ANGLE PROJECTION	
10 UNDER	± 0.2	DRAWN BY H.HIRAMOTO	DATE '91/03/13		TITLE NEW MINI FIT CONN		
10 OVER	30 UNDER	CHECKED BY M.FUKUSHIMA	DATE '92/05/21		CRIMP PIN		
30 OVER	± 0.3	APPROVED BY M.ENOMOTO	DATE '92/05/21		-LEAD FREE-		
ANGULAR	± 3 °	MATERIAL NO. MOLEX		DOCUMENT NO. SD-5558-002		SHEET NO. 2 OF 2	
DRAFT WHERE APPLICABLE MUST REMAIN WITHIN DIMENSIONS		SEE CAHRT					
THIS DRAWING CONTAINS INFORMATION THAT IS PROPRIETARY TO MOLEX INCORPORATED AND SHOULD NOT BE USED WITHOUT WRITTEN PERMISSION							

REV	DESCRIPTION
1	APP: NUKI TA 2005/07/12
2	CHK: KTOJO 2005/07/06
3	DR: M:NABEL 2005/07/06
4	FC NO: J2005-2285
5	REVISED