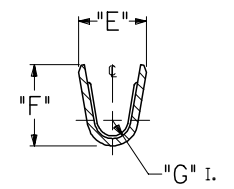
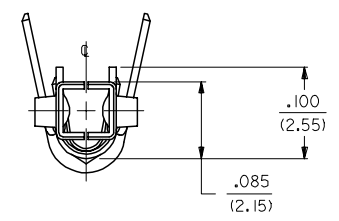
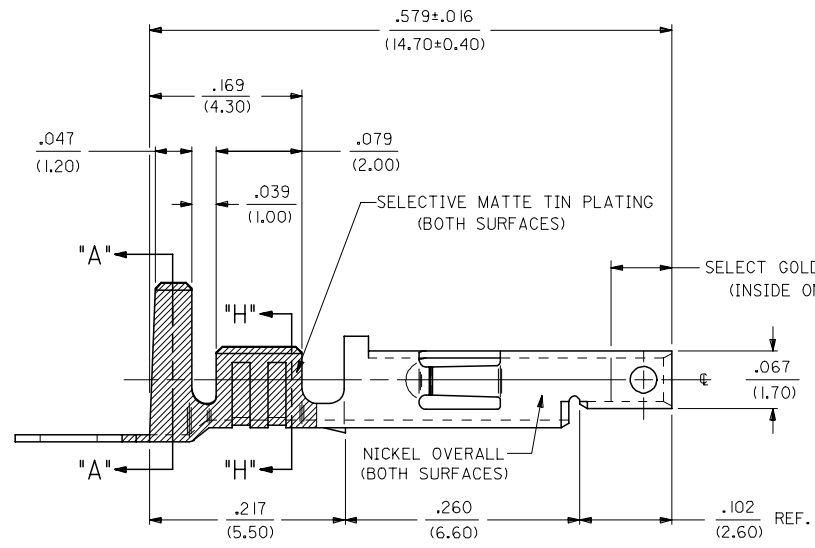


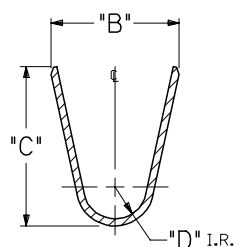
- NOTES:**
1. PART DESIGNED IN METRIC.
  2. TERMINAL FOR USE WITH 5557 SERIES HOUSINGS.
  3. MATES WITH 5558, 5566 AND 5569 SERIES CONNECTORS.
  4. REFER TO DWG. NO. CS-5556\*/5558\* FOR CRIMP SPECIFICATIONS.
  5. PRODUCT SPECIFICATION AND PROCESSING PARAMETERS SEE: PS-5556-001, PS-5556-002, PS-5556-003

- MATERIAL:**
- A. CDA 260 BRASS, .0080±.0004/(0.203±0.010) THICK.
  - B. CDA 510 PHOS. BRONZE .0080±.0004/(0.203±0.010) THICK.

- PLATING:**
- \*A. SELECTIVE GOLD PLATE .000030/(0.00076) MIN., AND SELECTIVE MATTE TIN .000100/(0.00254) OVER .000050/(0.00127) NICKEL OVERALL.
  - \*B. SELECTIVE GOLD PLATE .000015/(0.00038) MIN., AND SELECTIVE MATTE TIN .000100/(0.00254) OVER .000050/(0.00127) NICKEL OVERALL.
  - \*C. SELECTIVE GOLD PLATE .000050/(0.00127) MIN., AND SELECTIVE MATTE TIN .000100/(0.00254) OVER .000050/(0.00127) NICKEL OVERALL.
  - \*THE PRIMARY SHIPPING CARTON WILL BE LABELED "COMPLIANT TO RoHS DIRECTIVE 2002/95/EC AND ELV ANNEX II OF DIRECTIVE 2000/53/EC." CARTONS WITHOUT THIS LABEL MAY CONTAIN PRODUCT WITH TIN-LEAD PLATING.



SECT. "H-H"



SECT. "A-A"

REMOVE 28-30 GAGE EC NO: UCP2006-1559 DRAWNDUNNE 2006/01/11 CHKD: GPOLGAR 2006/01/12 APPR: ICOMERCI 2006/01/16	QUALITY SYMBOLS =0 =0 R.	GENERAL TOLERANCES (UNLESS SPECIFIED)		DIMENSION STYLE IN/MM		SCALE 10:1	DESIGN UNITS METRIC	THIRD ANGLE PROJECTION			
		4 PLACES ± --- ± ---	DRAWN BY GEP	DATE 5/17/90	TITLE TERMINAL, MINI-FIT JR., FEMAE CRIMP, SELECT GOLD BLANK PLATE FORM						
		3 PLACES ± --- ± .010	CHECKED BY RJF	DATE 5/17/90	MATERIAL NO.						
		2 PLACES ± 0.25 ± .014	APPROVED BY RAS	DATE 5/17/90	DOCUMENT NO.						
1 PLACE ± 0.36 ± ---	ANGULAR ±1/2°		SEE SHT. 2		SD-5556-GSP*		SHEET NO. 1 OF 2				
DRAFT WHERE APPLICABLE MUST REMAIN WITHIN DIMENSIONS			THIS DRAWING CONTAINS INFORMATION THAT IS PROPRIETARY TO MOLEX INCORPORATED AND SHOULD NOT BE USED WITHOUT WRITTEN PERMISSION								

	13	12	11	10	9	8	7	6	5	5556	4	3	2	1				
	PART NO.	ENG. NO.	MAT'L.	PLATE	WIRE GAGE	QUANTITY PER REEL	DIM. "B"	DIM. "C"	DIM. "D"	DIM. "E"	DIM. "F"	DIM. "G"						
J	39-00-0163	5556-GSP	A	A	18-24 GA.	4,000	.142±.012	.177±.016	.035	.075±.012	.091±.016	.020	<b>LEGEND:</b> 5556-***GS*P* BASE NO. _____ MATERIAL _____ BLANK= BRASS PB= PHOS. BRONZE GOLD, SELECT _____ PLATING & CRIMP SIZE COMB. _____ BLANK THRU I5 BLANK-PLATE-FORM VERSION _____ CHAIN OR LOOSE _____ BLANK= CHAIN L= LOOSE					
	39-00-0164	5556-GSPL					(3.60±0.30)	(4.50±0.40)	(0.90)	(1.90±0.30)	(2.40±0.40)	(0.50)						
	39-00-0165	5556-GS2P					.091±.016	.091±.016	.024	.071±.012	.065±.016	.016						
39-00-0166	5556-GS2PL	(2.30±0.30)					(2.30±0.40)	(0.60)	(1.80±0.30)	(1.65±0.40)	(0.40)							
39-00-0167	5556-GS3P	.142±.012					.177±.016	.035	.091±.012	.106±.016	.024							
39-00-0168	5556-GS3PL	(3.60±0.30)					(4.50±0.40)	(0.90)	(2.30±0.30)	(2.70±0.40)	(0.60)							
I	NOT TOOLED	5556-GS10P			A	A	14 GA.	4,000	.142±.012	.177±.016	.035	.091±.012			.114±.016	.024		
	NOT TOOLED	5556-GS10PL							(3.60±0.30)	(4.50±0.40)	(0.90)	(2.30±0.30)			(2.90±0.40)	(0.60)		
	39-00-0169	5556-GS4P							.142±.012	.177±.016	.035	.075±.012			.091±.016	.020		
39-00-0170	5556-GS4PL	(3.60±0.30)							(4.50±0.40)	(0.90)	(1.90±0.30)	(2.40±0.40)			(0.50)			
39-00-0171	5556-GS5P	.091±.012							.091±.016	.024	.071±.012	.065±.016			.016			
39-00-0172	5556-GS5PL	(2.30±0.30)							(2.30±0.40)	(0.60)	(1.80±0.30)	(1.65±0.40)			(0.40)			
H	39-00-0173	5556-GS6P	A	B			16 GA.	4,000	.142±.012	.177±.016	.035	.091±.012	.106±.016	.024				
	39-00-0174	5556-GS6PL							(3.60±0.30)	(4.50±0.40)	(0.90)	(2.30±0.30)	(2.70±0.40)	(0.60)				
	NOT TOOLED	5556-GS11P							.142±.012	.177±.016	.035	.091±.012	.114±.016	.024				
NOT TOOLED	5556-GS11PL	(3.60±0.30)							(4.50±0.40)	(0.90)	(2.30±0.30)	(2.90±0.40)	(0.60)					
39-00-0175	5556-GS7P	.142±.012							.177±.016	.035	.075±.012	.091±.016	.020					
39-00-0176	5556-GS7PL	(3.60±0.30)							(4.50±0.40)	(0.90)	(1.90±0.30)	(2.40±0.40)	(0.50)					
G	39-00-0177	5556-GS8P			A	C	22-28 GA.	6,000	.091±.012	.091±.016	.024	.071±.012	.065±.016	.016				
	39-00-0178	5556-GS8PL							(2.30±0.30)	(2.30±0.40)	(0.60)	(1.80±0.30)	(1.65±0.40)	(0.40)				
	39-00-0179	5556-GS9P							.142±.012	.177±.016	.035	.091±.012	.106±.016	.024				
39-00-0180	5556-GS9PL	(3.60±0.30)							(4.50±0.40)	(0.90)	(2.30±0.30)	(2.70±0.40)	(0.60)					
NOT TOOLED	5556-GS12P	.142±.012							.177±.016	.035	.091±.012	.114±.016	.024					
NOT TOOLED	5556-GS12PL	(3.60±0.30)							(4.50±0.40)	(0.90)	(2.30±0.30)	(2.90±0.40)	(0.60)					
F	39-00-0181	5556-PBGS P	B	A			18-24 GA.	4,000	.142±.012	.177±.016	.035	.075±.012	.091±.016	.020				
	39-00-0182	5556-PBGS PL							(3.60±0.30)	(4.50±0.40)	(0.90)	(1.90±0.30)	(2.40±0.40)	(0.50)				
	39-00-0183	5556-PBGS2P							.091±.012	.091±.016	.024	.071±.012	.065±.016	.016				
39-00-0184	5556-PBGS2PL	(2.30±0.30)							(2.30±0.40)	(0.60)	(1.80±0.30)	(1.65±0.40)	(0.40)					
39-00-0185	5556-PBGS3P	.142±.012							.177±.016	.035	.091±.012	.106±.016	.024					
39-00-0186	5556-PBGS3PL	(3.60±0.30)							(4.50±0.40)	(0.90)	(2.30±0.30)	(2.70±0.40)	(0.60)					
E	NOT TOOLED	5556-PBGS IOP			B	B	14 GA.	4,000	.142±.012	.177±.016	.035	.091±.012	.114±.016	.024				
	NOT TOOLED	5556-PBGS IOPL							(3.60±0.30)	(4.50±0.40)	(0.90)	(2.30±0.30)	(2.90±0.40)	(0.60)				
	39-00-0194	5556-PBGS4P							.142±.012	.177±.016	.035	.075±.012	.091±.016	.020				
39-00-0195	5556-PBGS4PL	(3.60±0.30)							(4.50±0.40)	(0.90)	(1.90±0.30)	(2.40±0.40)	(0.50)					
39-00-0196	5556-PBGS5P	.091±.012							.091±.016	.024	.071±.012	.065±.016	.016					
39-00-0197	5556-PBGS5PL	(2.30±0.30)							(2.30±0.40)	(0.60)	(1.80±0.30)	(1.65±0.40)	(0.40)					
D	39-00-0198	5556-PBGS6P	B	B			16 GA.	4,000	.142±.012	.177±.016	.035	.091±.012	.106±.016	.024				
	39-00-0199	5556-PBGS6PL							(3.60±0.30)	(4.50±0.40)	(0.90)	(2.30±0.30)	(2.70±0.40)	(0.60)				
	NOT TOOLED	5556-PBGS I1P							.142±.012	.177±.016	.035	.091±.012	.114±.016	.024				
NOT TOOLED	5556-PBGS I1	(3.60±0.30)							(4.50±0.40)	(0.90)	(2.30±0.30)	(2.90±0.40)	(0.60)					
39-00-0200	5556-PBGS7P	.142±.012							.177±.016	.035	.075±.012	.091±.016	.020					
39-00-0201	5556-PBGS7PL	(3.60±0.30)							(4.50±0.40)	(0.90)	(1.90±0.30)	(2.40±0.40)	(0.50)					
C	39-00-0202	5556-PBGS8P			B	C	22-28 GA.	6,000	.091±.012	.091±.016	.024	.071±.012	.065±.016	.016				
	39-00-0203	5556-PBGS8PL							(2.30±0.30)	(2.30±0.40)	(0.60)	(1.80±0.30)	(1.65±0.40)	(0.40)				
	39-00-0204	5556-PBGS9P							.142±.012	.177±.016	.035	.091±.012	.106±.016	.024				
39-00-0205	5556-PBGS9PL	(3.60±0.30)							(4.50±0.40)	(0.90)	(2.30±0.30)	(2.70±0.40)	(0.60)					
NOT TOOLED	5556-PBGS I2P	.142±.012							.177±.016	.035	.091±.012	.114±.016	.024					
NOT TOOLED	5556-PBGS I2PL	(3.60±0.30)							(4.50±0.40)	(0.90)	(2.30±0.30)	(2.90±0.40)	(0.60)					

**LEGEND:**  
 5556-\*\*\*GS\*P\*  
 BASE NO. \_\_\_\_\_  
 MATERIAL \_\_\_\_\_  
 BLANK= BRASS  
 PB= PHOS. BRONZE  
 GOLD, SELECT \_\_\_\_\_  
 PLATING & CRIMP SIZE COMB. \_\_\_\_\_  
 BLANK THRU I5  
 BLANK-PLATE-FORM VERSION \_\_\_\_\_  
 CHAIN OR LOOSE \_\_\_\_\_  
 BLANK= CHAIN  
 L= LOOSE

SEE SHEET 1 EC NO: UCP2006-1559 DRAWNDUNNE 2006/01/12 CHKD: GPOL GAR 2006/01/12 APPR: ICOMERC I 2006/01/16 DESCRIPTION REV	QUALITY SYMBOLS	GENERAL TOLERANCES (UNLESS SPECIFIED)	DIMENSION STYLE	SCALE	DESIGN UNITS	THIRD ANGLE PROJECTION
	$\nabla=0$ $\nabla=0$	mm INCH	IN/MM	---	METRIC	
		4 PLACES ± --- ± --- 3 PLACES ± --- ± --- 2 PLACES ± --- ± --- 1 PLACE ± --- ± ---	DRAWN BY DATE GEP 5/17/90 CHECKED BY DATE RJF 5/17/90 APPROVED BY DATE RAS 5/17/90	TITLE		
		ANGULAR ±1/2°	MATERIAL NO.	TERMINAL, MINI-FIT JR., FEMALE, CRIMP, SELECT GOLD BLANK-PLATE-FORM MOLEX INCORPORATED		SHEET NO. 2 2
	DRAFT WHERE APPLICABLE MUST REMAIN WITHIN DIMENSIONS	SEE CHART	SD-5556-GSP*			
		THIS DRAWING CONTAINS INFORMATION THAT IS PROPRIETARY TO MOLEX INCORPORATED AND SHOULD NOT BE USED WITHOUT WRITTEN PERMISSION				