

NOTES:

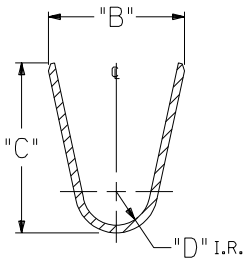
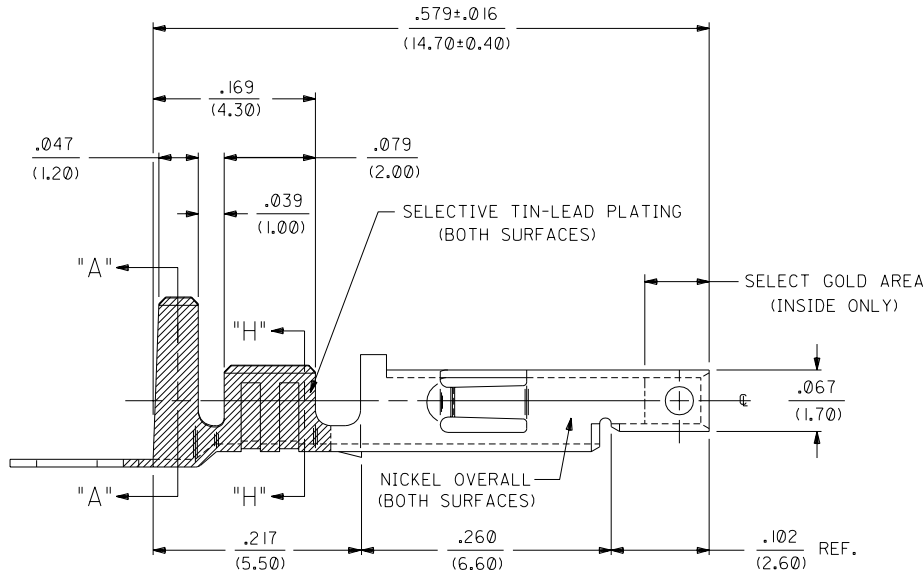
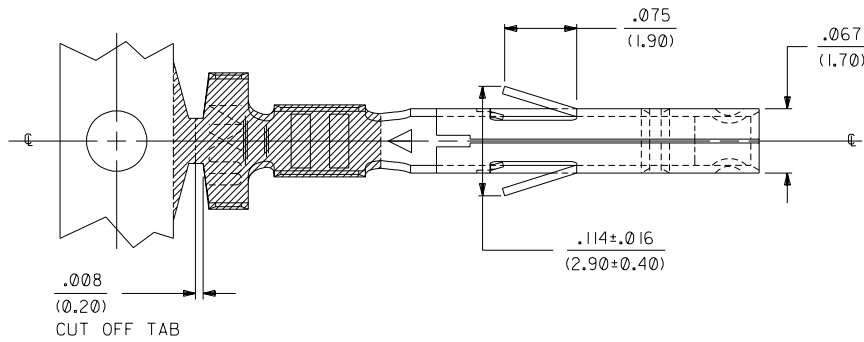
1. PART DESIGNED IN METRIC.
2. TERMINAL FOR USE WITH 5557 SERIES HOUSINGS.
3. MATES WITH 5558, 5566 AND 5569 SERIES CONNECTORS.
4. REFER TO DWG. NO. CS-5556*/5558* FOR CRIMP SPECIFICATIONS.
5. PRODUCT SPEC: PS-5556-001, PS-5556-002, PS-5556-003

MATERIAL:

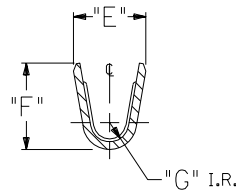
- A. CDA 260 BRASS, .0080±.0004/(0.203±0.010) THICK.
- B. CDA 510 PHOS. BRONZE .0080±.0004/(0.203±0.010) THICK.

PLATING:

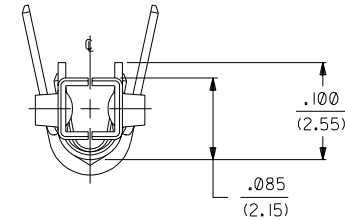
- A. SELECTIVE GOLD PLATE .000030/(0.00076) MIN., AND SELECTIVE TIN-LEAD .000100/(0.00254) OVER .000050/(0.00127) NICKEL OVERALL.
- B. SELECTIVE GOLD PLATE .000015/(0.00038) MIN., AND SELECTIVE TIN-LEAD .000080/(0.00203) OVER .000050/(0.00127) NICKEL OVERALL.
- C. SELECTIVE GOLD PLATE .000050/(0.00127) MIN., AND SELECTIVE TIN-LEAD .000100/(0.00254) OVER .000050/(0.00127) NICKEL OVERALL.



SECT. "A-A"



SECT. "H-H"



E	ADD PS NOTE UCP2003-0385 8/29/2002 SAMIEC
D	REV. 28-30 CA.DIM ECN #140405 94-04-06 A.GUZZIK
C4	ADDED EDP'S PER ECN U21346 9-9-92 RJF
C3	REVISED 28-30 AWG ECN U21318 9-3-92 RJF
C2	REVISED PER ECN U20109 2-19-92 RJF
C1	ADDED 30AWG CRIMP ECN U12258 12-2-91 RJF
C	ADDED 14AWG CRIMP ECN U12028 10-15-91 RJF
B	REDRAWN PER ECR U00382 5-17-90 RJF

2	D	MFG.	SH.	REV.	LTR.	REVISIONS
1	E					

DIMENSIONS SHOWN (METRIC) INCH UNLESS OTHERWISE SPECIFIED TOLERANCES: ANGULAR ± 1/2°		▽ = 0 ▼ = 0		REVISE ONLY ON CAD SYSTEM									
<table border="1"> <tr> <th>INCH</th> <th>METRIC</th> </tr> <tr> <td>3 PLACE ± .010</td> <td>---</td> </tr> <tr> <td>2 PLACE ± .014</td> <td>± 0.25</td> </tr> <tr> <td>1 PLACE ---</td> <td>± 0.36</td> </tr> </table>		INCH	METRIC	3 PLACE ± .010	---	2 PLACE ± .014	± 0.25	1 PLACE ---	± 0.36	TITLE TERMINAL, MINI-FIT JR., FEMALE, CRIMP, SELECT GOLD BLANK-PLATE-FORM		SHEET NO. 1 OF 2 DATE 5/17/90	
INCH	METRIC												
3 PLACE ± .010	---												
2 PLACE ± .014	± 0.25												
1 PLACE ---	± 0.36												
DRAFT WHERE APPLICABLE MUST REMAIN WITHIN DIMENSIONS		MOLEX INCORPORATED LISLE, ILL. 60532 U.S.A.		PART NO. SD-5556-GSP* DRWG. NO.									
DRWG. BY: GEP APP'D. BY: RAS	CHK'D. BY: RJF SCALE: 10:1	FILE NAME: 55556.IX1 DGN	THIS DRAWING CONTAINS INFORMATION THAT IS PROPRIETARY TO MOLEX INC. AND SHOULD NOT BE USED WITHOUT WRITTEN PERMISSION										

5556

B

A

		13		12		11		10		9		8		7		6		5556		4		3		2		1		
		PART NO.	ENG. NO.	MAT'L.	PLATE	WIRE GAGE	QUANTITY PER REEL	DIM. "B"	DIM. "C"	DIM. "D"	DIM. "E"	DIM. "F"	DIM. "G"															
J		39-00-0163	5556-GSP	A	A	18-24 GA.	4,000	.142±.012	.177±.016	.035	.075±.012	.091±.016	.020	<p>LEGEND:</p> <p>5556-**GS*P*</p> <p>BASE NO. _____</p> <p>MATERIAL _____</p> <p>BLANK= BRASS</p> <p>PB= PHOS. BRONZE</p> <p>GOLD, SELECT _____</p> <p>PLATING & CRIMP SIZE COMB. _____</p> <p>BLANK THRU I5 _____</p> <p>BLANK-PLATE-FORM VERSION _____</p> <p>CHAIN OR LOOSE _____</p> <p>BLANK= CHAIN _____</p> <p>L= LOOSE _____</p>														
		39-00-0164	5556-GSPL									(3.60±0.30)	(4.50±0.40)													(0.90)	(1.90±0.30)	(2.40±0.40)
	39-00-0165	5556-GS2P	22-28 GA.			6,000			.091±.012	.091±.016	.024	.071±.012	.065±.016													.016		
	39-00-0166	5556-GS2PL							(2.30±0.30)	(2.30±0.40)	(0.60)	(1.80±0.30)	(1.65±0.40)													(0.40)		
	39-00-0167	5556-GS3P	16 GA.			4,000			.142±.012	.177±.016	.035	.091±.012	.106±.016													.024		
	39-00-0168	5556-GS3PL							(3.60±0.30)	(4.50±0.40)	(0.90)	(2.30±0.30)	(2.70±0.40)													(0.60)		
I		NOT TOOLED	5556-GS10P			A	B	14 GA.	4,000	.142±.012	.177±.016	.035	.091±.012													.114±.016	.024	
		NOT TOOLED	5556-GS10PL							(3.60±0.30)	(4.50±0.40)	(0.90)	(2.30±0.30)													(2.90±0.40)	(0.60)	
	39-00-0241	5556-GS13P	28-30 GA.					6,000			.091±.012	.091±.016	.024													.050±.010	.044±.010	.010
	39-00-0242	5556-GS13PL									(2.30±0.30)	(2.30±0.40)	(.60)													(1.27±0.25)	(1.12±0.25)	(0.25)
	39-00-0169	5556-GS4P	18-24 GA.					4,000			.142±.012	.177±.016	.035													.075±.012	.091±.016	.020
	39-00-0170	5556-GS4PL									(3.60±0.30)	(4.50±0.40)	(0.90)													(1.90±0.30)	(2.40±0.40)	(0.50)
	39-00-0171	5556-GS5P	22-28 GA.	6,000					.091±.012	.091±.016	.024	.071±.012	.065±.016	.016														
	39-00-0172	5556-GS5PL							(2.30±0.30)	(2.30±0.40)	(0.60)	(1.80±0.30)	(1.65±0.40)	(0.40)														
H		39-00-0173	5556-GS6P	A	B			16 GA.	4,000	.142±.012	.177±.016	.035	.091±.012	.106±.016	.024													
		39-00-0174	5556-GS6PL							(3.60±0.30)	(4.50±0.40)	(0.90)	(2.30±0.30)	(2.70±0.40)	(0.60)													
	NOT TOOLED	5556-GS11P	14 GA.					4,000			.142±.012	.177±.016	.035	.091±.012	.114±.016	.024												
	NOT TOOLED	5556-GS11PL									(3.60±0.30)	(4.50±0.40)	(0.90)	(2.30±0.30)	(2.90±0.40)	(0.60)												
	NOT TOOLED	5556-GS14P	28-30 GA.			6,000			.091±.012	.091±.016	.024	.050±.010	.044±.010	.010														
	NOT TOOLED	5556-GS14PL							(2.30±0.30)	(2.30±0.40)	(.60)	(1.27±0.25)	(1.12±0.25)	(0.25)														
G		39-00-0175	5556-GS7P			A	C	18-24 GA.	4,000	.142±.012	.177±.016	.035	.075±.012	.091±.016	.020													
		39-00-0176	5556-GS7PL							(3.60±0.30)	(4.50±0.40)	(0.90)	(1.90±0.30)	(2.40±0.40)	(0.50)													
	39-00-0177	5556-GS8P	22-28 GA.					6,000			.091±.012	.091±.016	.024	.071±.012	.065±.016	.016												
	39-00-0178	5556-GS8PL									(2.30±0.30)	(2.30±0.40)	(0.60)	(1.80±0.30)	(1.65±0.40)	(0.40)												
	39-00-0179	5556-GS9P	16 GA.					4,000			.142±.012	.177±.016	.035	.091±.012	.106±.016	.024												
	39-00-0180	5556-GS9PL									(3.60±0.30)	(4.50±0.40)	(0.90)	(2.30±0.30)	(2.70±0.40)	(0.60)												
F		NOT TOOLED	5556-GS12P	A	C			14 GA.	4,000	.142±.012	.177±.016	.035	.091±.012	.114±.016	.024													
		NOT TOOLED	5556-GS12PL							(3.60±0.30)	(4.50±0.40)	(0.90)	(2.30±0.30)	(2.90±0.40)	(0.60)													
	NOT TOOLED	5556-GS15P	28-30 GA.					6,000			.091±.012	.091±.016	.024	.050±.010	.044±.010	.010												
	NOT TOOLED	5556-GS15PL									(2.30±0.30)	(2.30±0.40)	(.60)	(1.27±0.25)	(1.12±0.25)	(0.25)												
E		39-00-0181	5556-PBGSPL					B	A	18-24 GA.	4,000	.142±.012	.177±.016	.035	.075±.012	.091±.016	.020											
		39-00-0182	5556-PBGSPL									(3.60±0.30)	(4.50±0.40)	(0.90)	(1.90±0.30)	(2.40±0.40)	(0.50)											
	39-00-0183	5556-PBGS2P	22-28 GA.			6,000					.091±.012	.091±.016	.024	.071±.012	.065±.016	.016												
	39-00-0184	5556-PBGS2PL									(2.30±0.30)	(2.30±0.40)	(0.60)	(1.80±0.30)	(1.65±0.40)	(0.40)												
	39-00-0185	5556-PBGS3P	16 GA.			4,000					.142±.012	.177±.016	.035	.091±.012	.106±.016	.024												
	39-00-0186	5556-PBGS3PL									(3.60±0.30)	(4.50±0.40)	(0.90)	(2.30±0.30)	(2.70±0.40)	(0.60)												
	NOT TOOLED	5556-PBGS10P	14 GA.			4,000					.142±.012	.177±.016	.035	.091±.012	.114±.016	.024												
	NOT TOOLED	5556-PBGS10PL									(3.60±0.30)	(4.50±0.40)	(0.90)	(2.30±0.30)	(2.90±0.40)	(0.60)												
	39-00-0243	5556-PBGS13P	28-30 GA.	6,000			.091±.012			.091±.016	.024	.050±.010	.044±.010	.010														
	39-00-0244	5556-PBGS13PL					(2.30±0.30)			(2.30±0.40)	(.60)	(1.27±0.25)	(1.12±0.25)	(0.25)														
D		39-00-0194	5556-PBGS4P	B	B	18-24 GA.	4,000			.142±.012	.177±.016	.035	.075±.012	.091±.016	.020													
		39-00-0195	5556-PBGS4PL							(3.60±0.30)	(4.50±0.40)	(0.90)	(1.90±0.30)	(2.40±0.40)	(0.50)													
	39-00-0196	5556-PBGS5P	22-28 GA.			6,000			.091±.012	.091±.016	.024	.071±.012	.065±.016	.016														
	39-00-0197	5556-PBGS5PL							(2.30±0.30)	(2.30±0.40)	(0.60)	(1.80±0.30)	(1.65±0.40)	(0.40)														
	39-00-0198	5556-PBGS6P	16 GA.			4,000			.142±.012	.177±.016	.035	.091±.012	.106±.016	.024														
	39-00-0199	5556-PBGS6PL							(3.60±0.30)	(4.50±0.40)	(0.90)	(2.30±0.30)	(2.70±0.40)	(0.60)														
C		NOT TOOLED	5556-PBGS11P			B	C	14 GA.	4,000	.142±.012	.177±.016	.035	.091±.012	.114±.016	.024													
		NOT TOOLED	5556-PBGS11							(3.60±0.30)	(4.50±0.40)	(0.90)	(2.30±0.30)	(2.90±0.40)	(0.60)													
	NOT TOOLED	5556-PBGS14P	28-30 GA.					6,000			.091±.012	.091±.016	.024	.050±.010	.044±.010	.010												
	NOT TOOLED	5556-PBGS14									(2.30±0.30)	(2.30±0.40)	(.60)	(1.27±0.25)	(1.12±0.25)	(0.25)												
B		39-00-0200	5556-PBGS7P					B	C	18-24 GA.	4,000	.142±.012	.177±.016	.035	.075±.012	.091±.016	.020											
		39-00-0201	5556-PBGS7PL									(3.60±0.30)	(4.50±0.40)	(0.90)	(1.90±0.30)	(2.40±0.40)	(0.50)											
	39-00-0202	5556-PBGS8P	22-28 GA.	6,000							.091±.012	.091±.016	.024	.071±.012	.065±.016	.016												
	39-00-0203	5556-PBGS8PL									(2.30±0.30)	(2.30±0.40)	(0.60)	(1.80±0.30)	(1.65±0.40)	(0.40)												
	39-00-0204	5556-PBGS9P	16 GA.	4,000							.142±.012	.177±.016	.035	.091±.012	.106±.016	.024												
	39-00-0205	5556-PBGS9PL									(3.60±0.30)	(4.50±0.40)	(0.90)	(2.30±0.30)	(2.70±0.40)	(0.60)												
	NOT TOOLED	5556-PBGS12P	14 GA.	4,000							.142±.012	.177±.016	.035	.091±.012	.114±.016	.024												
	NOT TOOLED	5556-PBGS12PL									(3.60±0.30)	(4.50±0.40)	(0.90)	(2.30±0.30)	(2.90±0.40)	(0.60)												
	NOT TOOLED	5556-PBGS15P	28-30 GA.	6,000			.091±.012			.091±.016	.024	.050±.010	.044±.010	.010														
	NOT TOOLED	5556-PBGS15PL					(2.30±0.30)			(2.30±0.40)	(.60)	(1.27±0.25)	(1.12±0.25)	(0.25)														

D	SEE SHEET I.
C4	SEE SHEET I.
C3	SEE SHEET I.
C2	SEE SHEET I.
C1	SEE SHEET I.
C	SEE SHEET I.
B	SEE SHEET I.

DIMENSIONS SHOWN (METRIC) INCH
UNLESS OTHERWISE SPECIFIED
TOLERANCES ANGLES ARE 1/2°

3 PLACE ± --- ---
2 PLACE ± --- ± ---
1 PLACE --- ± ---

DRAFT WHERE APPLICABLE MUST
REMAIN WITHIN DIMENSIONS

DRWG. NO. 5556-1X2 DGN
BY: RAS
APP'D: RAS

ENGR. BY: R.J.F.
SCALE: -- 1 --

THIS DRAWING CONTAINS INFORMATION THAT IS PROPRIETARY TO MOLEX INC. AND SHOULD NOT BE USED WITHOUT WRITTEN PERMISSION CP C

REVISIONS

REV. 2 DATE 5/17/90

TITLE
TERMINAL, MINI-FIT JR.,
FEMALE, CRIMP, SELECT GOLD
BLANK-PLATE-FORM

MOLEX INCORPORATED
LITTLEVILLE, MISSOURI 64852 U.S.A.

PART NO. SEE CHART
DRWG. NO. SD-5556-GSP*

FILE NAME: 5556-1X2 DGN

REVISIONS

REV. 2 DATE 5/17/90

SEE CHART

SD-5556-GSP*