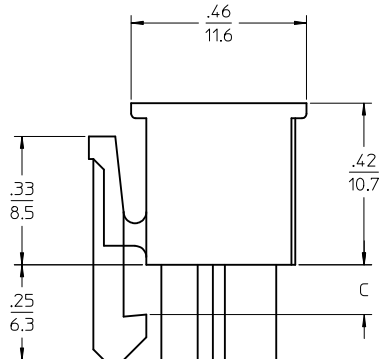
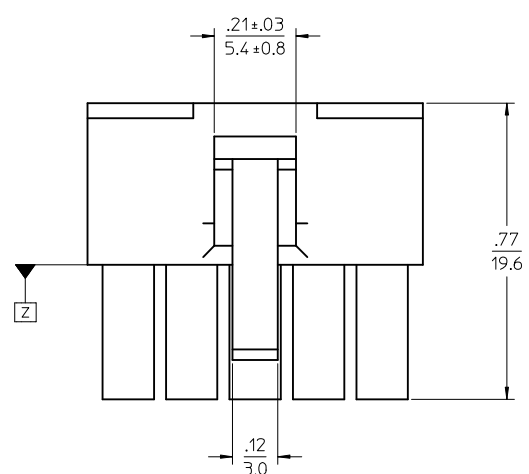
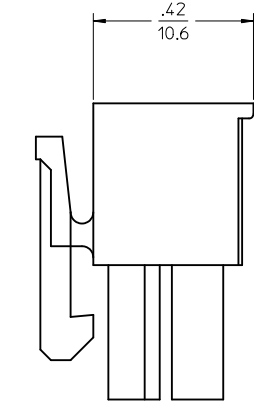


4 CKT SHOWN

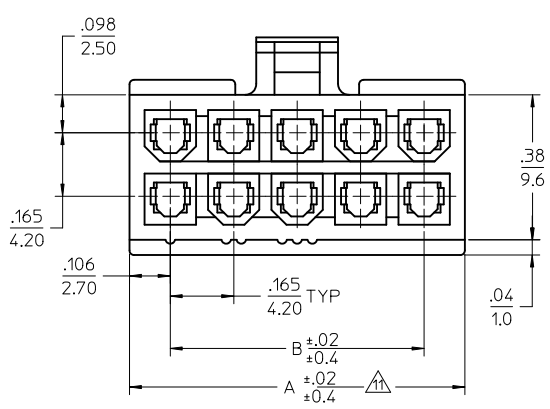
- NOTES:
- MATERIAL:
 - *BLANK* = NYLON 6/6, 94V-2, COLOR: NATURAL.
 - *BL* = NYLON 6/6, 94V-2, COLOR: BLACK.
 - *RE* = NYLON 6/6, 94V-2, COLOR: RED.
 - *YE* = NYLON 6/6, 94V-2, COLOR: YELLOW
 - *210* = NYLON 6/6, 94V-0, COLOR: NATURAL.
 - *225* = NYLON 6, UL94V-0, COLOR: BLACK, IEC 60335-1, 4th EDITION GLOW WIRE CAPABLE.
 - *225N* = NYLON 6, UL94V-0, COLOR: WHITE, IEC 60335-1, 4th EDITION GLOW WIRE CAPABLE.
 - *400* = NYLON 6/6, 94V-0, COLOR: BLACK.
 - FINISH: NOT APPLICABLE
 - PRODUCT SPECIFICATION: PS-5556-001
 - PACKAGING: BULK
 - PART MATES WITH MOLEX PLUG #5559 AND HEADERS #5566, #5569.
 - PART TO BE USED WITH MOLEX FEMALE TERMINAL #5556.
 - PART IS NOT DESIGNED FOR CURRENT SHARING.
 - CONNECTORS ARE NOT TO BE MATED OR UNMATED WHILE CIRCUITS ARE LIVE.
 - WIRES ARE TO BE DRESSED IN SUCH A MANNER TO ALLOW THE TERMINALS TO FLOAT FREELY IN THE POCKET.
 - PART CONFORMS TO CLASS "B" REQUIREMENTS OF COSMETIC SPECIFICATION PS-45499-002 WITH THE EXCEPTION OF DISCOLORATION, FLASH AND SINK MEET CLASS "C" REQUIREMENTS.
- ▲ TO BE MEASURED AT SURFACE [Z]



4-24 CKT

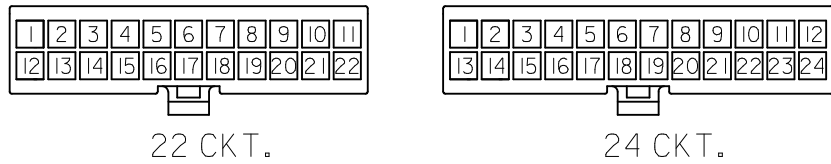
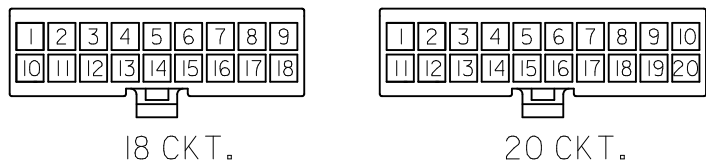
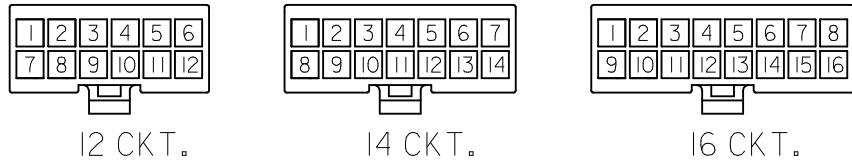
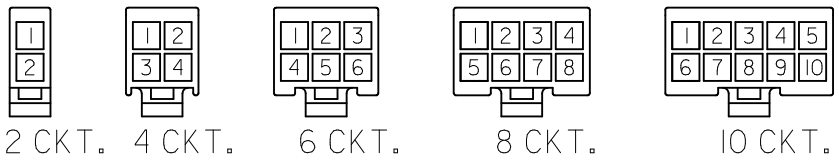


2 CKT ONLY



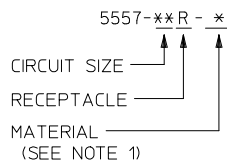
2.031/(51.6)	1.819/(46.2)	.142 (3.6)	24
1.866/(47.4)	1.654/(42.0)		22
1.701/(43.2)	1.488/(37.8)	.129 (3.3)	20
1.535/(39.0)	1.323/(33.6)		18
1.370/(34.8)	1.157/(29.4)	.129 (3.3)	16
1.205/(30.6)	0.992/(25.2)		14
1.039/(26.4)	0.827/(21.0)	.129 (3.3)	12
0.874/(22.2)	0.661/(16.8)		10
0.709/(18.0)	0.496/(12.6)	.129 (3.3)	8
0.543/(13.8)	0.331/(8.4)		6
0.378/(9.6)	0.165/(4.2)	.129 (3.3)	4
0.213/(5.4)	—		2
A	B	C	NO. OF CKTS.

ADD 5557-06R-225N EC NO: UCP2011-0022 DRWN: BANDERSON 2010/07/02 CHKD: JBELLE 2010/07/16 APPR: FSMITH 2010/07/07	QUALITY SYMBOLS	GENERAL TOLERANCES (UNLESS SPECIFIED)	DIMENSION STYLE IN/MM	SCALE 4:1	DESIGN UNITS METRIC	THIRD ANGLE PROJECTION
	▽=0	mm INCH	DRAWN BY DATE S. MOCHIZUKI '90/02/22	TITLE NEW MINI FIT CONN REC. HOUSING	MOLEX INCORPORATED	SHEET NO. 1 OF 2
	▽=0	4 PLACES ± -- ± ---	CHECKED BY DATE M. FUKUSHIMA '97/01/08	APPROVED BY DATE M. FUKUSHIMA '97/01/08		
	▽=0	3 PLACES ± -- ± .010	2 PLACES ± 0.25 ± .015	1 PLACE ± 0.38 ± ---	ANGULAR ± 3 °	SEE CHART
J5	DESCRIPTION	DRAFT WHERE APPLICABLE MUST REMAIN WITHIN DIMENSIONS	MATERIAL NO.	DOCUMENT NO.	THIS DRAWING CONTAINS INFORMATION THAT IS PROPRIETARY TO MOLEX INCORPORATED AND SHOULD NOT BE USED WITHOUT WRITTEN PERMISSION	



CIRCUIT SIZE LAYOUT
(NOT TO SCALE)

LEGEND



V-0 GLOW WIRE (BLACK)			V-0 GLOW WIRE (WHITE)		
EDP. NO.	ENG. NO.	NO. OF CKTS.	EDP. NO.	ENG. NO.	NO. OF CKTS.
	50-36-1667	5557-24R-225	24	-	24
	26-01-3167	5557-22R-225	22	-	22
*	26-01-3166	5557-20R-225	20	-	20
	50-36-1668	5557-18R-225	18	-	18
	50-36-1669	5557-16R-225	16	-	16
	50-36-2293	5557-14R-225	14	-	14
	50-36-1674	5557-12R-225	12	-	12
	50-36-1671	5557-10R-225	10	-	10
	50-36-1713	5557-08R-225	8	-	8
	50-36-1672	5557-06R-225	6	26-01-3176	5557-06R-225N 6
	50-30-4461	5557-04R-225	4	50-36-2301	5557-04R-225N 4
	50-36-1673	5557-02R-225	2	-	2
EDP. NO.	ENG. NO.	NO. OF CKTS.	EDP. NO.	ENG. NO.	NO. OF CKTS.

V-0 (BLACK)			V-0 (NATURAL)		
EDP. NO.	ENG. NO.	NO. OF CKTS.	EDP. NO.	ENG. NO.	NO. OF CKTS.
*	39-03-9242	5557-24R-400	24	39-01-2245	5557-24R-210 24
*	39-03-9222	5557-22R-400	22	39-01-2225	5557-22R-210 22
*	39-03-9202	5557-20R-400	20	39-01-2205	5557-20R-210 20
*	39-03-9182	5557-18R-400	18	39-01-2185	5557-18R-210 18
*	39-03-9162	5557-16R-400	16	39-01-2165	5557-16R-210 16
*	39-03-9142	5557-14R-400	14	39-01-2145	5557-14R-210 14
*	39-03-9122	5557-12R-400	12	39-01-2125	5557-12R-210 12
*	39-03-9102	5557-10R-400	10	39-01-2105	5557-10R-210 10
*	39-03-9082	5557-08R-400	8	39-01-2085	5557-08R-210 8
*	39-03-9062	5557-06R-400	6	39-01-2065	5557-06R-210 6
	39-03-9042	5557-04R-400	4	39-01-2045	5557-04R-210 4
	39-03-9022	5557-02R-400	2	39-01-2025	5557-02R-210 2
EDP. NO.	ENG. NO.	NO. OF CKTS.	EDP. NO.	ENG. NO.	NO. OF CKTS.

* = CONSULT FACTORY FOR AVAILABILITY.

V-2 (YELLOW)			V-2 (RED)			V-2 (BLACK)			V-2 (NATURAL)			
EDP. NO.	ENG. NO.	NO. OF CKTS.	EDP. NO.	ENG. NO.	NO. OF CKTS.	EDP. NO.	ENG. NO.	NO. OF CKTS.	EDP. NO.	ENG. NO.	NO. OF CKTS.	
		24	-	-	24	*	39-01-3245	5557-24R-BL	24	39-01-2240	5557-24R 24	
		22	-	-	22		39-01-3225	5557-22R-BL	22	39-01-2220	5557-22R 22	
		20	-	-	20	*	39-01-3205	5557-20R-BL	20	39-01-2200	5557-20R 20	
		18	-	-	18	*	39-01-3185	5557-18R-BL	18	39-01-2180	5557-18R 18	
		16	-	-	16	*	39-01-3165	5557-16R-BL	16	39-01-2160	5557-16R 16	
		14	-	-	14		39-01-3145	5557-14R-BL	14	39-01-2140	5557-14R 14	
		12	-	-	12		39-01-3125	5557-12R-BL	12	39-01-2120	5557-12R 12	
		10	-	-	10		39-01-3105	5557-10R-BL	10	39-01-2100	5557-10R 10	
		8	-	-	8		39-01-3085	5557-08R-BL	8	39-01-2080	5557-08R 8	
*	39-02-8061	5557-06R-YE	6	-	6		39-01-3065	5557-06R-BL	6	39-01-2060	5557-06R 6	
*	39-02-8041	5557-04R-YE	4	*	39-02-8040	5557-04R-RE	4	39-01-3045	5557-04R-BL	4	39-01-2040	5557-04R 4
*	39-02-8021	5557-02R-YE	2	-	2		39-01-3025	5557-02R-BL	2	39-01-2020	5557-02R 2	
EDP. NO.	ENG. NO.	NO. OF CKTS.	EDP. NO.	ENG. NO.	NO. OF CKTS.	EDP. NO.	ENG. NO.	NO. OF CKTS.	EDP. NO.	ENG. NO.	NO. OF CKTS.	

ADD 5557-06R-225N
EC NO: UCP2011-0022
DRWN: BANDERSON 2010/07/02
CHKD: J.BELL 2010/07/16
APPR: F.S.MITH 2010/07/07
REV

QUALITY SYMBOLS
▽=0
▽=0
▽=0

GENERAL TOLERANCES (UNLESS SPECIFIED)
4 PLACES ± .005
3 PLACES ± .010
2 PLACES ± .015
1 PLACE ± .038

ANGULAR ± 3°

DRAFT WHERE APPLICABLE MUST REMAIN WITHIN DIMENSIONS

DIMENSION STYLE IN/MM
DRAWN BY S. MOCHIZUKI DATE '90/02/22
CHECKED BY M. FUKUSHIMA DATE '97/01/08
APPROVED BY M. FUKUSHIMA DATE '97/01/08

SCALE 1:1
DESIGN UNITS METRIC
THIRD ANGLE PROJECTION

NEW MINI FIT CONN REC. HOUSING

MOLEX MOLEX INCORPORATED
DOCUMENT NO. SD-5557-003 SHEET NO. 2 OF 2

THIS DRAWING CONTAINS INFORMATION THAT IS PROPRIETARY TO MOLEX INCORPORATED AND SHOULD NOT BE USED WITHOUT WRITTEN PERMISSION