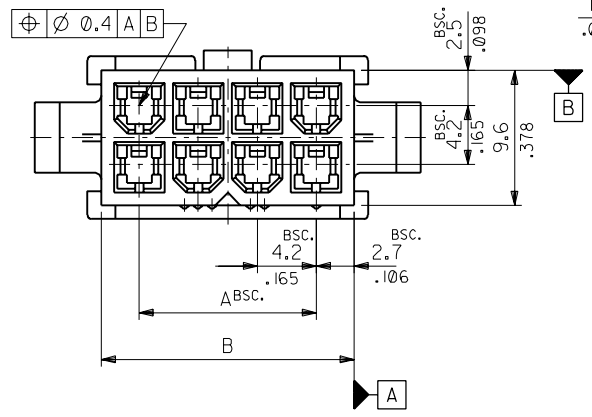
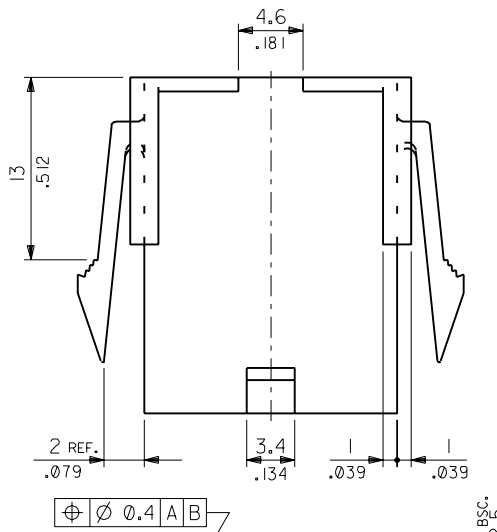
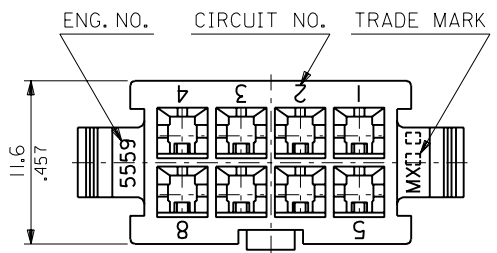
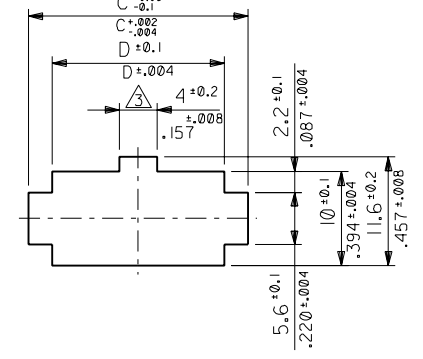
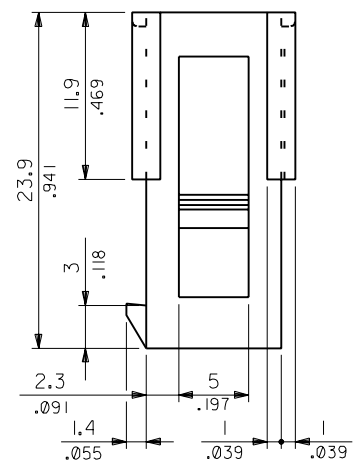


ENG. NO. SD-5559-NP
 EDP NO. 39-01-2**1
 DIMENSIONS IN METRIC DO NOT SCALE DRAWING

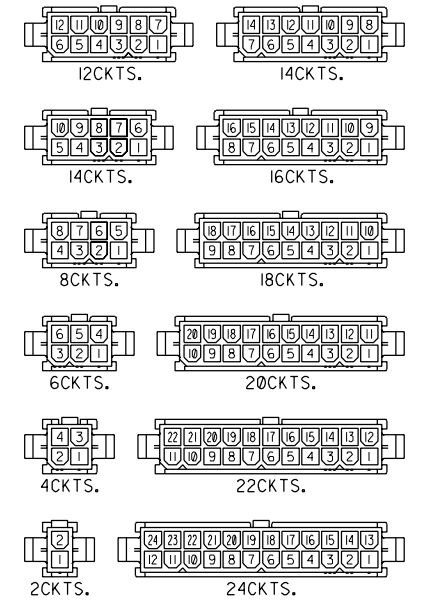


NOTES

1. TERMINAL : 5558 SERIES
2. MATES WITH : 5557-NR
- △ THIS DIMENSION IS ALLOWABLE UP TO "D" DIMENSION IN CASE OF 2 CIRCUITS.
4. PANEL HOLE TO BE PUNCHED OUT IN THE SAME DIRECTION AS INSERTION INTO THE PANEL.



RECOMMENDED PANEL HOLE DIMENSION
(THICKNESS : 0.8-2.0/.032-.079)



CIRCUIT SIZE LAYOUT (SCALE : 1-1)

52.1/2.051	57.0/2.244	51.6/2.031	46.2/1.819	39-01-2241	5559-24P	24
47.9/1.886	52.8/2.079	47.4/1.866	42.0/1.654	-2221	-22P	22
43.7/1.720	48.6/1.913	43.2/1.701	37.8/1.488	-2201	-20P	20
39.5/1.555	44.4/1.748	39.0/1.535	33.6/1.323	-2181	-18P	18
35.3/1.390	40.2/1.583	34.8/1.370	29.4/1.158	-2161	-16P	16
31.1/1.224	36.0/1.417	30.6/1.205	25.2/.992	-2141	-14P	14
26.8/1.055	31.8/1.252	26.4/1.039	21.0/.827	-2121	-12P	12
22.6/.890	27.6/1.087	22.2/.874	16.8/.661	-2101	-10P	10
18.4/.724	23.4/.921	18.0/.709	12.6/.496	-2081	-08P	8
14.2/.559	19.2/.756	13.8/.543	8.4/.331	-2061	-06P	6
10.0/.394	15.0/.591	9.6/.378	4.2/.165	-2041	-04P	4
5.8/.228	10.8/.425	5.4/.213	—	39-01-2021	5559-02P	2
D	C	B	A	EDP NO.	ENG. NO.	CIRCUIT

材料 MATERIAL		NYLON 66, UL94V-2		molex MOLEX-JAPAN CO.,LTD. 日本モレックス株式会社	
仕上げ FINISH		—		EDP. NO. 39-01-2**1	
適用電線範囲 WIRE RANGE		—		ENG. NO. SD-5559-NP	
被覆外径 INS. RANGE		—		REV G	
DRAWN BY 08/10/14 H.HIRAMOTO		CHK'D BY 08/10/21 Y.YAMADA		TITLE 名称 NEW MINI.FIT CONNECTOR	
APP'D BY 08/10/24 M.ENOMOTO		尺度 SCALE 3-1		CRIMP PIN HOUSING	
REVISION RECORD		REVISION RECORD		REVISION RECORD	
DR. Y.Y.		DR. Y.Y.		DR. Y.Y.	
DATE		DATE		DATE	
GENERAL TOLERANCES		GENERAL TOLERANCES		GENERAL TOLERANCES	

THIS DRAWING CONTAINS INFORMATION THAT IS PROPRIETARY TO MOLEX(JAPAN) AND SHOULD NOT BE USED WITHOUT WRITTEN PERMISSION
本図面は日本モレックス(株)の所有する情報を含むもので 当社の許可なく複製を禁止する。

MXJ-8