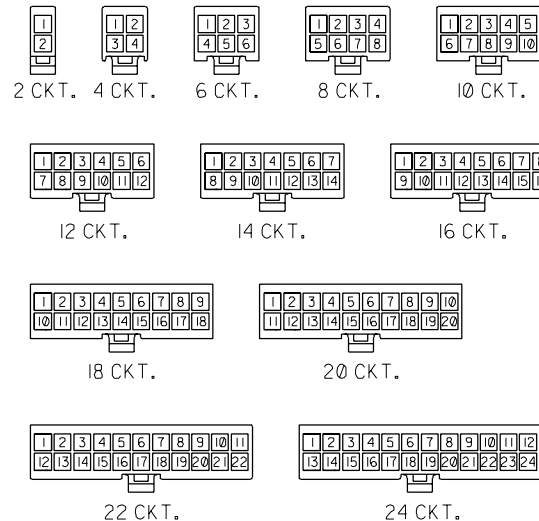
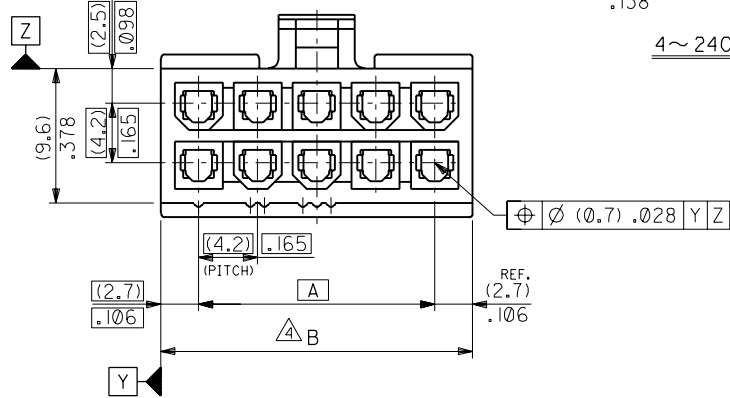
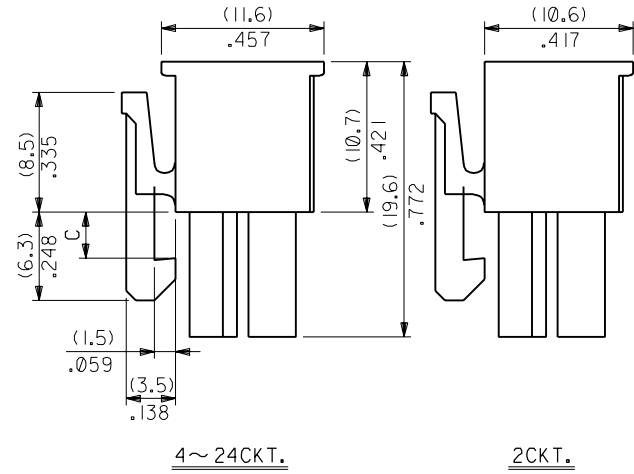
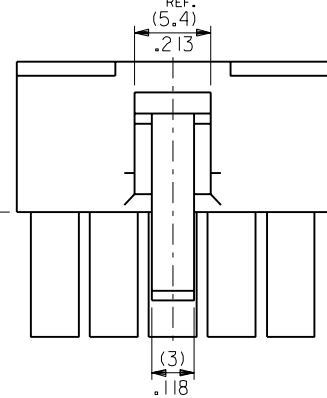
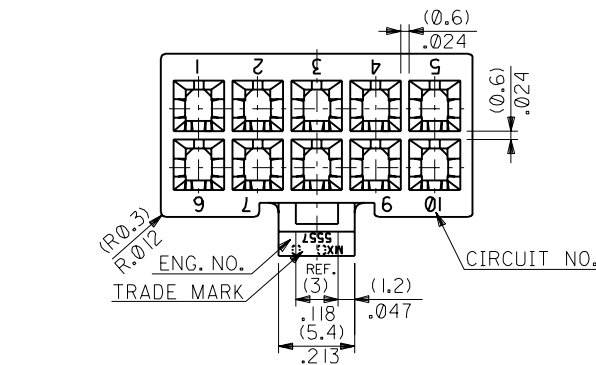


NOTES

1. TERMINAL : 5556 SERIES
2. MATE WITH : 5559 SERIES
5566 SERIES
5569 SERIES
3. (METRIC) VALUES SHOWN GOVERN OVER ENGLISH CONVERSION VALUES.
 ▲ TO BE MEASURED AT POSITION OF D SURFACE.



CIRCUIT SIZE LAYOUT
 (SCALE: 1-1)



	C	B	A	EDP. NO.	ENG. NO.	NO. OF CKTS.
(3,6) .142	(51.6) 2.031	(46.2) 1.819	39-01-2245	5557-24R-210	24	
	(47.4) 1.866	(42) 1.654	▲ -2225	▲ -22R-210	22	
	(43.2) 1.701	(37.8) 1.488	-2205	-20R-210	20	
	(39) 1.535	(33.6) 1.323	-2185	-18R-210	18	
(3,3) .129	(34.8) 1.37	(29.4) 1.158	-2165	-16R-210	16	
	(30.6) 1.205	(25.2) .992	-2145	-14R-210	14	
	(26.4) 1.039	(21) .827	-2125	-12R-210	12	
	(22.2) .874	(16.8) .661	-2105	-10R-210	10	
	(18) .709	(12.6) .496	-2085	-08R-210	8	
	(13.8) .543	(8.4) .331	-2065	-06R-210	6	
	(9.6) .378	(4.2) .165	▼ -2045	▼ -04R-210	4	
	(5.4) .213	—	39-01-2025	5557-02R-210	2	

材料 MATERIAL 66NYLON (UL94V-0)	モレックス MOLEX-JAPAN CO.,LTD. 日本モレックス株式会社
F REVISED (JC70586) S.A M.F '91/1/8	仕上げ FINISH —
E REVISED (J20158) H.H '92/4/20	適用電線範囲 WIRE RANGE —
D REVISED (J01160) H.H 'Y.Y '90/11/8	被覆外径 INS. RANGE —
C REVISED & REDRAWN (J00192) S.M H.H '90/2/22	DRAWN BY '90/2/22 CHK'D BY '97/01/08 S.MOCHIZUKI M.FUKUSHIMA
記号 LTR 変更内容 REVISION RECORD DR. CHK. 日付 DATE	APP'D BY '97/01/08 尺度 SCALE 3-1 M.FUKUSHIMA
一般公差 GENERAL TOLERANCES	REVISE ONLY ON CAD SYSTEM