

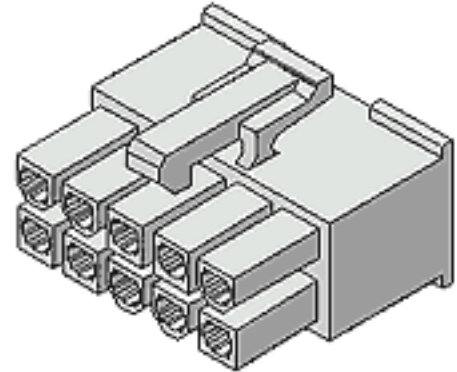
## Datasheet Crimp Housings

[ [Home](#) > [Products](#) > [Housings](#) > [Datasheet](#) ]

# 39-01-2120

4.20mm (.165") Pitch Mini-Fit, Jr.™ Receptacle Housing, Dual Row, UL 94V-2, 12 Circuits, Use with Strain Relief 41995 series

[View all parts in series 55513](#)
[2D Dimensions](#)
[Email this page](#)
[Samples](#)
[Buy](#)



Status	Active
Access Level	Internet
Circuits / Positions	12
Pitch / Center Spacing	4.20mm (.165")
Rows	2
Product Name	Mini-Fit Jr.™
Gender	Female
Stackable	No
Wire Entry Angle	Vertical
Panel Mount	No

### RELATED PRODUCTS

Mates With	5559d, 5566vw, 5566vwo, 5569rdf, 5569rdp, 42404, 42440, 42475, 43810d, 43810a, 43810b, 43810c, 43879, 44068a, 44068b, 44068c, 44068d, 44281, 44472dw, 44472dwo, 44474, 87427, 87427r, 87427rf
Use With	Strain Relief 41995 series

### MECHANICAL

Contact Insertion Force-max. (per circuit)	14.7N (3.30 lb)
Contact Retention Force-min. (per circuit)	30.0N (6.74 lb)
Unmating Force-min. (per circuit)	3.0N (0.67 lb)
Normal Force-min. (per circuit)	1.96N (0.44 lb)
Mating Force-max. (per circuit)	6.9N (1.54 lb)

### PHYSICAL

Housing Material	PA Polyamide (Nylon) 6/6
Flammability	UL 94V-2
Temperature Range	-40°C to +105°C

### REFERENCE

Product Specification	PS-5556-001
Packaging	Bag

**This part is  
ELV and RoHS  
COMPLIANT**

ENVIRONMENT

RoHS Compliant	Yes
----------------	-----

### Features and Benefits

- Receptacle for wire-to-wire or wire-to-board applications
- Positive housing latch for secure mating retention to plug or header
- Fully isolated terminals to protect contacts from damage
- Fully polarized to plug or header to prevent mismatching
- Integral pull tabs for ease in unmating
- 1-piece strain relief available (41995 series)

UL File Number	E29179
CSA File Number	LR19980
TUV File No.	R75142
MX01 Catalog Page	F-46
970 Catalog Page	K-38
990 Catalog Page	K-16
Old Part Number	5557-12R
Molex Series	5557
Marketing Series	5557d
Overview	Mini-Fit Jr.™ [-8371]
Product Management	Killian, Pat
Lab Office	J
Customer Approved	Cisco, Compaq, Delco, Ford, Hewlett Packard, IBM, Lucent Technologies Inc, Matsushita Electric Industrial, Motorola, Nokia, Nortel Networks, Siemens, Sony

2D D R A W I N G - For reference only. See technical [Drawing \(PDF\)](#) for design-in purposes.

**D I M E N S I O N S**

Designed In	Millimeters
Dimension A (Overall Length)	26.40mm (1.039")
Dimension B (First-to-Last Circuit)	21.00mm (.827")
First Contact to End	2.7000mm (.10630")

