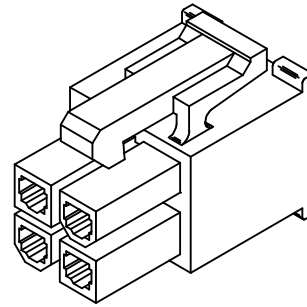
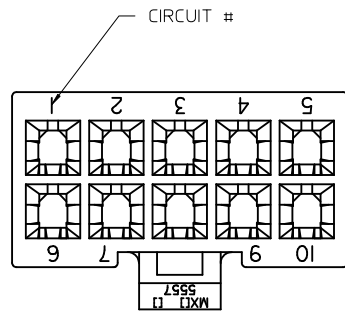


NOTES:

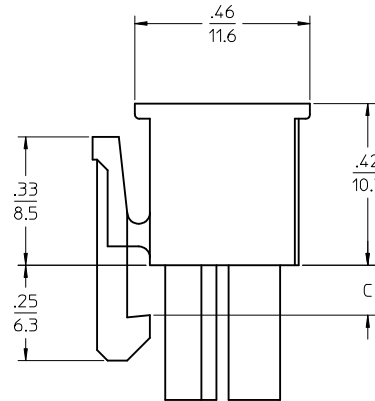
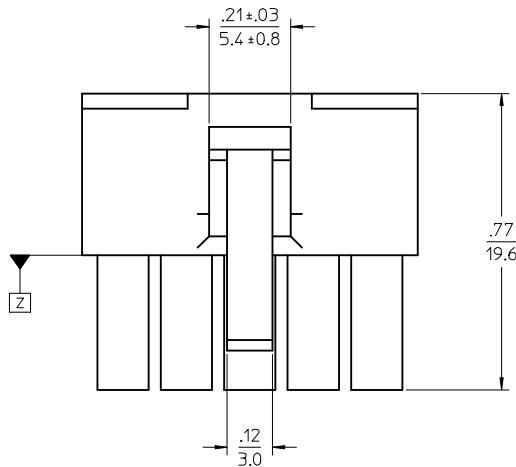
1) MATERIAL:

- \*"BLANK" = NYLON 6/6, 94V-2, COLOR: NATURAL.
  - \*"BL" = NYLON 6/6, 94V-2, COLOR: BLACK.
  - \*"RE" = NYLON 6/6, 94V-2, COLOR: RED.
  - \*"YE" = NYLON 6/6, 94V-2, COLOR: YELLOW
  - \*"210" = NYLON 6/6, 94V-0, COLOR: NATURAL.
  - \*"225" = NYLON (PA6), UL94V-0, COLOR: BLACK, IEC 60335-1, 4th EDITION GLOW WIRE CAPABLE.
  - \*"225N" = NYLON (PA6), UL94V-0, COLOR: WHITE, IEC 60335-1, 4th EDITION GLOW WIRE CAPABLE.
  - \*"400" = NYLON 6/6, 94V-0, COLOR: BLACK.
- 2) FINISH: NOT APPLICABLE  
 3) PRODUCT SPECIFICATION: PS-5556-001  
 4) PACKAGING: BULK  
 5) PART MATES WITH MOLEX PLUG #5559 AND HEADERS #5566, #5569.  
 6) PART TO BE USED WITH MOLEX FEMALE TERMINAL #5556.  
 7) PART IS NOT DESIGNED FOR CURRENT SHARING.  
 8) CONNECTORS ARE NOT TO BE MATED OR UNMATED WHILE CIRCUITS ARE LIVE.  
 9) WIRES ARE TO BE DRESSED IN SUCH A MANNER TO ALLOW THE TERMINALS TO FLOAT FREELY IN THE POCKET.  
 10) PART CONFORMS TO CLASS "B" REQUIREMENTS OF COSMETIC SPECIFICATION PS-45499-002 WITH THE EXCEPTION OF DISCOLORATION, FLASH AND SINK MEET CLASS "C" REQUIREMENTS.

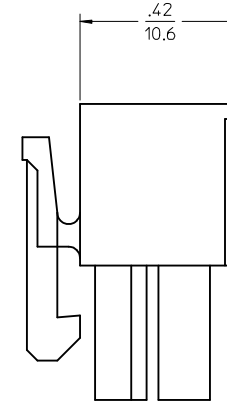
▲ TO BE MEASURED AT SURFACE □



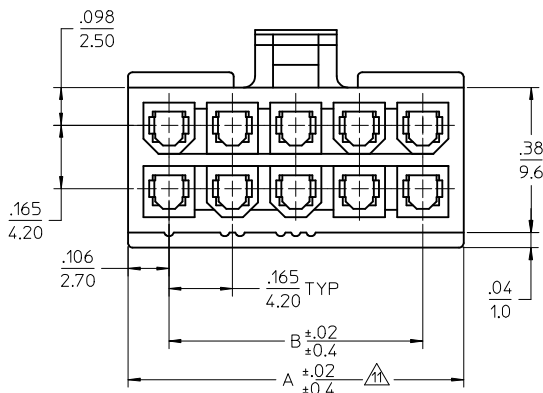
4 CKT SHOWN



4-24 CKT



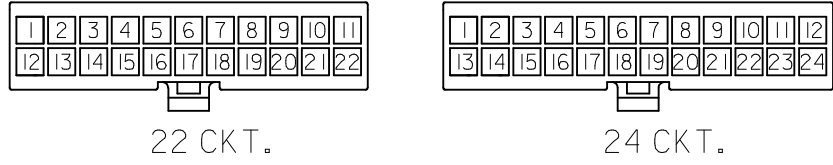
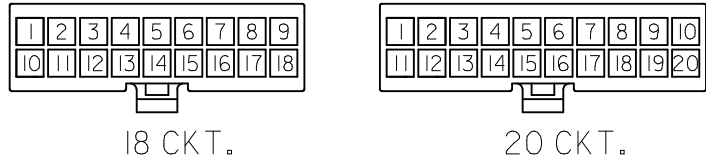
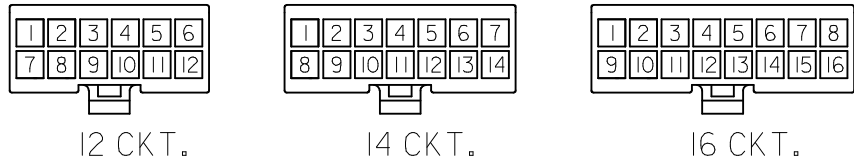
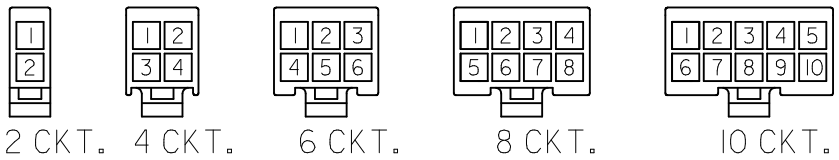
2 CKT ONLY



2.031/(51.6)	1.819/(46.2)		24
1.866/(47.4)	1.654/(42.0)		22
1.701/(43.2)	1.488/(37.8)	.142	20
1.535/(39.0)	1.323/(33.6)	(3.6)	18
1.370/(34.8)	1.157/(29.4)		16
1.205/(30.6)	0.992/(25.2)		14
1.039/(26.4)	0.827/(21.0)		12
0.874/(22.2)	0.661/(16.8)		10
0.709/(18.0)	0.496/(12.6)	.129	8
0.543/(13.8)	0.331/(8.4)	(3.3)	6
0.378/(9.6)	0.165/(4.2)		4
0.213/(5.4)			2
A	B	C	NO. OF CKTS.

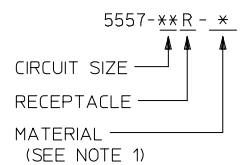
MODIFIED SHT 2 EC NO: UCP2010-1154 DRWN: JAGUILAR 2009/11/09 CHKD: JRELL 2009/11/10 APPR: FSMITH 2009/11/10 REV: J3	QUALITY SYMBOLS ▽=0 ▽=0	GENERAL TOLERANCES (UNLESS SPECIFIED)		DIMENSION STYLE IN/MM		SCALE 4:1	DESIGN UNITS METRIC	THIRD ANGLE PROJECTION			
		4 PLACES ± ---	3 PLACES ± -- ± .010	DRAWN BY S. MOCHIZUKI	DATE '90/02/22	NEW MINI FIT CONN REC. HOUSING					
		2 PLACES ± .25 ± .015	1 PLACE ± 0.38 ± ---	CHECKED BY M. FUKUSHIMA	DATE '97/01/08						
		ANGULAR ± 3 °		DRAFT WHERE APPLICABLE MUST REMAIN WITHIN DIMENSIONS		APPROVED BY M. FUKUSHIMA	DATE '97/01/08	MOLEX INCORPORATED		DOCUMENT NO. SD-5557-003	SHEET NO. 1 OF 2

THIS DRAWING CONTAINS INFORMATION THAT IS PROPRIETARY TO MOLEX INCORPORATED AND SHOULD NOT BE USED WITHOUT WRITTEN PERMISSION



CIRCUIT SIZE LAYOUT  
(NOT TO SCALE)

LEGEND



V-0 GLOW WIRE (BLACK)			V-0 GLOW WIRE (WHITE)		
50-36-1667	5557-24R-225	24	-	-	24
NOT TOOLED	5557-22R-225	22	-	-	22
NOT TOOLED	5557-20R-225	20	-	-	20
50-36-1668	5557-18R-225	18	-	-	18
50-36-1669	5557-16R-225	16	-	-	16
50-36-2293	5557-14R-225	14	-	-	14
50-36-1674	5557-12R-225	12	-	-	12
50-36-1671	5557-10R-225	10	-	-	10
50-36-1713	5557-08R-225	8	-	-	8
50-36-1672	5557-06R-225	6	-	-	6
50-30-4461	5557-04R-225	4	50-36-2301	5557-04R-225N	4
50-36-1673	5557-02R-225	2	-	-	2
EDP. NO.	ENG. NO.	NO. OF CKTS.	EDP. NO.	ENG. NO.	NO. OF CKTS.

V-0 (BLACK)			V-0 (NATURAL)		
* 39-03-9242	5557-24R-400	24	39-01-2245	5557-24R-210	24
* 39-03-9222	5557-22R-400	22	39-01-2225	5557-22R-210	22
* 39-03-9202	5557-20R-400	20	39-01-2205	5557-20R-210	20
* 39-03-9182	5557-18R-400	18	39-01-2185	5557-18R-210	18
* 39-03-9162	5557-16R-400	16	39-01-2165	5557-16R-210	16
* 39-03-9142	5557-14R-400	14	39-01-2145	5557-14R-210	14
* 39-03-9122	5557-12R-400	12	39-01-2125	5557-12R-210	12
* 39-03-9102	5557-10R-400	10	39-01-2105	5557-10R-210	10
* 39-03-9082	5557-08R-400	8	39-01-2085	5557-08R-210	8
* 39-03-9062	5557-06R-400	6	39-01-2065	5557-06R-210	6
39-03-9042	5557-04R-400	4	39-01-2045	5557-04R-210	4
39-03-9022	5557-02R-400	2	39-01-2025	5557-02R-210	2
EDP. NO.	ENG. NO.	NO. OF CKTS.	EDP. NO.	ENG. NO.	NO. OF CKTS.

\* = CONSULT FACTORY FOR AVAILABILITY.

V-2 (YELLOW)			V-2 (RED)			V-2 (BLACK)			V-2 (NATURAL)		
		24	-	-	24	* 39-01-3245	5557-24R-BL	24	39-01-2240	5557-24R	24
		22	-	-	22	39-01-3225	5557-22R-BL	22	39-01-2220	5557-22R	22
		20	-	-	20	* 39-01-3205	5557-20R-BL	20	39-01-2200	5557-20R	20
		18	-	-	18	* 39-01-3185	5557-18R-BL	18	39-01-2180	5557-18R	18
		16	-	-	16	* 39-01-3165	5557-16R-BL	16	39-01-2160	5557-16R	16
		14	-	-	14	39-01-3145	5557-14R-BL	14	39-01-2140	5557-14R	14
		12	-	-	12	39-01-3125	5557-12R-BL	12	39-01-2120	5557-12R	12
		10	-	-	10	39-01-3105	5557-10R-BL	10	39-01-2100	5557-10R	10
		8	-	-	8	39-01-3085	5557-08R-BL	8	39-01-2080	5557-08R	8
39-02-8061	5557-06R-YE	6	-	-	6	39-01-3065	5557-06R-BL	6	39-01-2060	5557-06R	6
39-02-8041	5557-04R-YE	4	39-02-8040	5557-04R-RE	4	39-01-3045	5557-04R-BL	4	39-01-2040	5557-04R	4
39-02-8021	5557-02R-YE	2	-	-	2	39-01-3025	5557-02R-BL	2	39-01-2020	5557-02R	2
EDP. NO.	ENG. NO.	NO. OF CKTS.	EDP. NO.	ENG. NO.	NO. OF CKTS.	EDP. NO.	ENG. NO.	NO. OF CKTS.	EDP. NO.	ENG. NO.	NO. OF CKTS.

MODIFIED CHARTS  
EC NO: UCP2010-1154  
DRAWN: JAGUILAR 2009/11/09  
CHKD: J.BELL 2009/11/10  
APPR: F.S.MITH 2009/11/10

QUALITY SYMBOLS  
▽=0  
▽=0

REV J3

GENERAL TOLERANCES (UNLESS SPECIFIED)

	mm	INCH
4 PLACES	± 0.2	± ---
3 PLACES	± 0.3	± ---
2 PLACES	± 0.4	± ---
1 PLACE	± ---	± ---

ANGULAR ± 3°

DRAFT WHERE APPLICABLE MUST REMAIN WITHIN DIMENSIONS

DIMENSION STYLE  
MM ONLY

SCALE  
1:1

DESIGN UNITS  
METRIC

THIRD ANGLE PROJECTION

DRAWN BY DATE  
S. MOCHIZUKI '90/02/22

CHECKED BY DATE  
M. FUKUSHIMA '97/01/08

APPROVED BY DATE  
M. FUKUSHIMA '97/01/08

MATERIAL NO.  
SEE CHART

DOCUMENT NO.  
SD-5557-003

SHEET NO.  
2 OF 2

MOLEX INCORPORATED

THIS DRAWING CONTAINS INFORMATION THAT IS PROPRIETARY TO MOLEX INCORPORATED AND SHOULD NOT BE USED WITHOUT WRITTEN PERMISSION