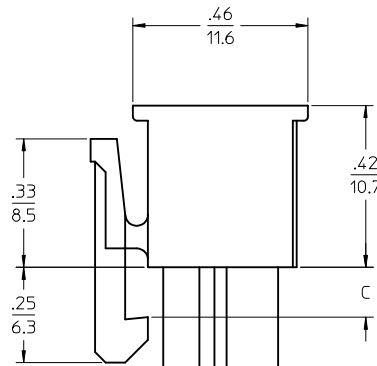
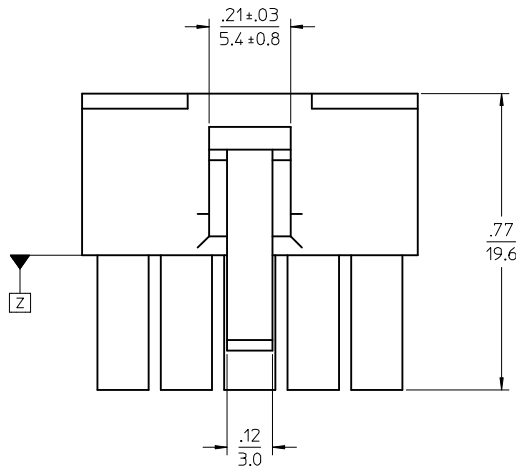


4 CKT SHOWN

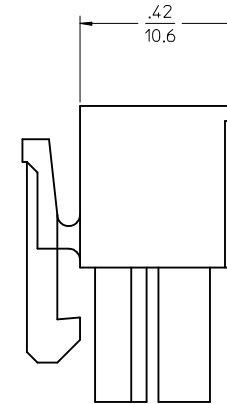
NOTES:

- 1) MATERIAL:
  - \*BLANK\* = NYLON 6/6, 94V-2, COLOR: NATURAL.
  - \*BL\* = NYLON 6/6, 94V-2, COLOR: BLACK.
  - \*RE\* = NYLON 6/6, 94V-2, COLOR: RED.
  - \*YE\* = NYLON 6/6, 94V-2, COLOR: YELLOW
  - \*210\* = NYLON 6/6, 94V-0, COLOR: NATURAL.
  - \*225\* = NYLON (PA6), UL94V-0, COLOR: BLACK, IEC 60335-1, 4th EDITION GLOW WIRE CAPABLE.
  - \*225N\* = NYLON (PA6), UL94V-0, COLOR: WHITE, IEC 60335-1, 4th EDITION GLOW WIRE CAPABLE.
  - \*400\* = NYLON 6/6, 94V-0, COLOR: NATURAL.
- 2) FINISH: NOT APPLICABLE
- 3) PRODUCT SPECIFICATION: PS-5556-001
- 4) PACKAGING: BULK
- 5) PART MATES WITH MOLEX PLUG #5559 AND HEADERS #5566, #5569.
- 6) PART TO BE USED WITH MOLEX FEMALE TERMINAL #5556.
- 7) PART IS NOT DESIGNED FOR CURRENT SHARING.
- 8) CONNECTORS ARE NOT TO BE MATED OR UNMATED WHILE CIRCUITS ARE LIVE.
- 9) WIRES ARE TO BE DRESSED IN SUCH A MANNER TO ALLOW THE TERMINALS TO FLOAT FREELY IN THE POCKET.
- 10) PART CONFORMS TO CLASS "B" REQUIREMENTS OF COSMETIC SPECIFICATION PS-45499-002 WITH THE EXCEPTION OF DISCOLORATION, FLASH AND SINK MEET CLASS "C" REQUIREMENTS.

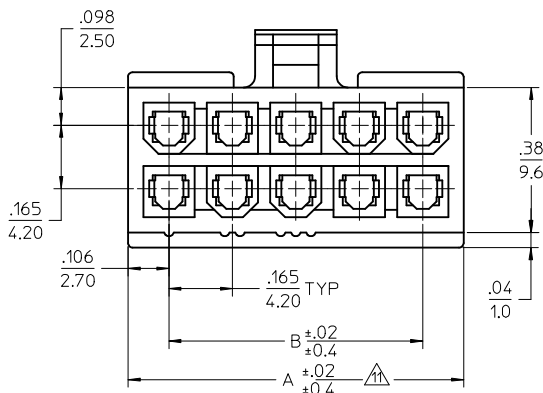
▲ TO BE MEASURED AT SURFACE Z



4-24 CKT



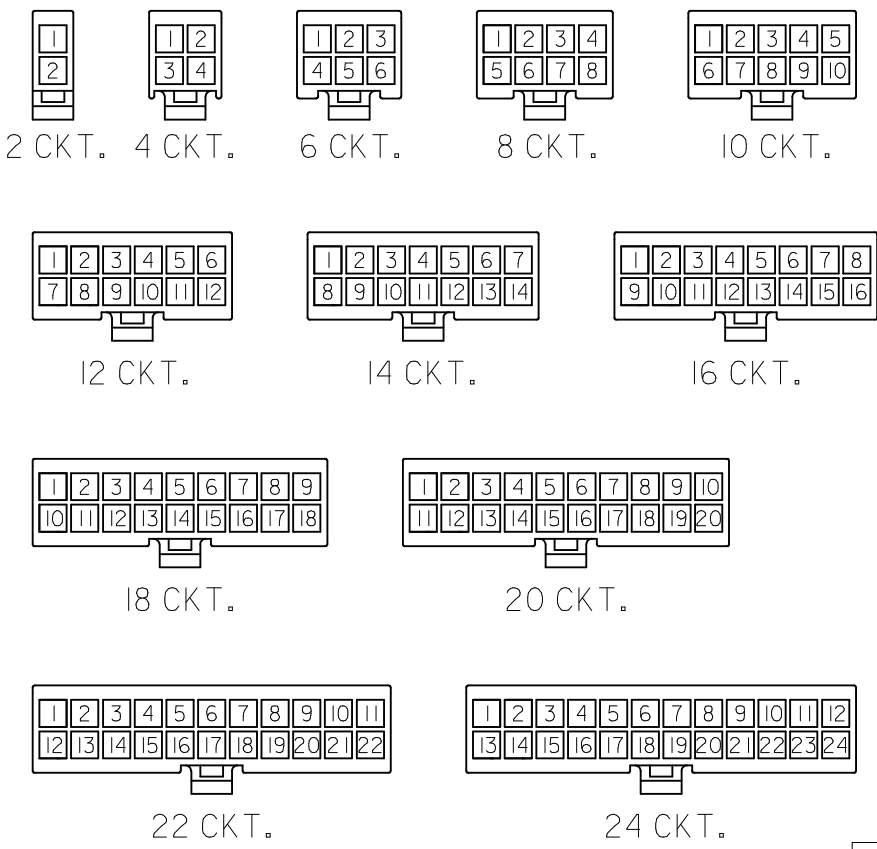
2 CKT ONLY



2.031/(51.6)	1.819/(46.2)		24
1.866/(47.4)	1.654/(42.0)		22
1.701/(43.2)	1.488/(37.8)	.142	20
1.535/(39.0)	1.323/(33.6)	(3.6)	18
1.370/(34.8)	1.157/(29.4)		16
1.205/(30.6)	0.992/(25.2)		14
1.039/(26.4)	0.827/(21.0)		12
0.874/(22.2)	0.661/(16.8)		10
0.709/(18.0)	0.496/(12.6)	.129	8
0.543/(13.8)	0.331/(8.4)	(3.3)	6
0.378/(9.6)	0.165/(4.2)		4
0.213/(5.4)			2
A	B	C	NO. OF CKTS.

<b>RECREATED DWG</b> EC NO: UCP2010-0241 DRWN: JAGUILAR 2009/08/11 CHKD: JRELL 2009/08/21 APPR: FSMITH 2009/08/24	QUALITY SYMBOLS ▽=0 ▽=0	GENERAL TOLERANCES (UNLESS SPECIFIED)		DIMENSION STYLE <b>IN/MM</b>		SCALE 4:1	DESIGN UNITS <b>METRIC</b>	THIRD ANGLE PROJECTION	
		4 PLACES ± --- ± --- 3 PLACES ± -- ± .010 2 PLACES ± .25 ± .015 1 PLACE ± 0.38 ± --- ANGULAR ± 3 °	DRAWN BY S. MOCHIZUKI '90/02/22 CHECKED BY M. FUKUSHIMA '97/01/08 APPROVED BY M. FUKUSHIMA '97/01/08 MATERIAL NO. <b>SEE SHEET 2</b>	TITLE <b>NEW MINI FIT CONN REC. HOUSING</b>		DOCUMENT NO. <b>SD-5557-003</b>		SHEET NO. <b>1 OF 2</b>	
DRAFT WHERE APPLICABLE MUST REMAIN WITHIN DIMENSIONS		THIS DRAWING CONTAINS INFORMATION THAT IS PROPRIETARY TO MOLEX INCORPORATED AND SHOULD NOT BE USED WITHOUT WRITTEN PERMISSION							

V-2 (RED)			V-0 GLOW WIRE (WHITE)		
-	-	24	-	-	24
-	-	22	-	-	22
-	-	20	-	-	20
-	-	18	-	-	18
-	-	16	-	-	16
-	-	14	-	-	14
-	-	12	-	-	12
-	-	10	-	-	10
-	-	8	-	-	8
-	-	6	-	-	6
39-02-8040	5557-04R-RE	4	50-36-2301	5557-04R-225N	4
-	-	2	-	-	2
EDP. NO.	ENG. NO.	NO. OF CKTS.	EDP. NO.	ENG. NO.	NO. OF CKTS.



V-2 (NATURAL)			V-0 (BLACK)			V-2 (YELLOW)		
39-01-2240	5557-24R	24	39-03-9242	5557-24R-400	24	39-02-8241	5557-24R-YE	24
39-01-2220	5557-22R	22	39-03-9222	5557-22R-400	22	39-02-8221	5557-22R-YE	22
39-01-2200	5557-20R	20	39-03-9202	5557-20R-400	20	39-02-8201	5557-20R-YE	20
39-01-2180	5557-18R	18	39-03-9182	5557-18R-400	18	39-02-8181	5557-18R-YE	18
39-01-2160	5557-16R	16	39-03-9162	5557-16R-400	16	39-02-8161	5557-16R-YE	16
39-01-2140	5557-14R	14	39-03-9142	5557-14R-400	14	39-02-8141	5557-14R-YE	14
39-01-2120	5557-12R	12	39-03-9122	5557-12R-400	12	39-02-8121	5557-12R-YE	12
39-01-2100	5557-10R	10	39-03-9102	5557-10R-400	10	39-02-8101	5557-10R-YE	10
39-01-2080	5557-08R	8	39-03-9082	5557-08R-400	8	39-02-8081	5557-08R-YE	8
39-01-2060	5557-06R	6	39-03-9062	5557-06R-400	6	39-02-8061	5557-06R-YE	6
39-01-2040	5557-04R	4	39-03-9042	5557-04R-400	4	39-02-8041	5557-04R-YE	4
39-01-2020	5557-02R	2	39-03-9022	5557-02R-400	2	39-02-8021	5557-02R-YE	2
EDP. NO.	ENG. NO.	NO. OF CKTS.	EDP. NO.	ENG. NO.	NO. OF CKTS.	EDP. NO.	ENG. NO.	NO. OF CKTS.

V-2 (BLACK)			V-0 GLOW WIRE (BLACK)			V-0 (NATURAL)		
39-01-3245	5557-24R-BL	24	50-36-1667	5557-24R-225	24	39-01-2245	5557-24R-210	24
39-01-3225	5557-22R-BL	22	NOT TOOLED	5557-22R-225	22	39-01-2225	5557-22R-210	22
39-01-3205	5557-20R-BL	20	NOT TOOLED	5557-20R-225	20	39-01-2205	5557-20R-210	20
39-01-3185	5557-18R-BL	18	50-36-1668	5557-18R-225	18	39-01-2185	5557-18R-210	18
39-01-3165	5557-16R-BL	16	50-36-1669	5557-16R-225	16	39-01-2165	5557-16R-210	16
39-01-3145	5557-14R-BL	14	50-36-2293	5557-14R-225	14	39-01-2145	5557-14R-210	14
39-01-3125	5557-12R-BL	12	50-36-1674	5557-12R-225	12	39-01-2125	5557-12R-210	12
39-01-3105	5557-10R-BL	10	50-36-1671	5557-10R-225	10	39-01-2105	5557-10R-210	10
39-01-3085	5557-08R-BL	8	50-36-1713	5557-08R-225	8	39-01-2085	5557-08R-210	8
39-01-3065	5557-06R-BL	6	50-36-1672	5557-06R-225	6	39-01-2065	5557-06R-210	6
39-01-3045	5557-04R-BL	4	50-30-4461	5557-04R-225	4	39-01-2045	5557-04R-210	4
39-01-3025	5557-02R-BL	2	50-36-1673	5557-02R-225	2	39-01-2025	5557-02R-210	2
EDP. NO.	ENG. NO.	NO. OF CKTS.	EDP. NO.	ENG. NO.	NO. OF CKTS.	EDP. NO.	ENG. NO.	NO. OF CKTS.

**CIRCUIT SIZE LAYOUT**  
(SCALE 2:1)

<b>CONSOLIDATED</b> EC NO: UCP2010-0241 DRWNG: JAGUILAR 2009/08/11 CHKD: J.BELL 2009/08/21 APPR: F.SMITH 2009/08/24 REV: J1	QUALITY SYMBOLS ▽=0 ▽=0	GENERAL TOLERANCES (UNLESS SPECIFIED) <table border="1"> <tr><th colspan="2">mm</th><th colspan="2">INCH</th></tr> <tr><td>4 PLACES</td><td>± 0.2</td><td>±</td><td>---</td></tr> <tr><td>3 PLACES</td><td>± 0.3</td><td>±</td><td>---</td></tr> <tr><td>2 PLACES</td><td>± 0.4</td><td>±</td><td>---</td></tr> <tr><td>1 PLACE</td><td>±</td><td>±</td><td>---</td></tr> </table> ANGULAR ± 3°	mm		INCH		4 PLACES	± 0.2	±	---	3 PLACES	± 0.3	±	---	2 PLACES	± 0.4	±	---	1 PLACE	±	±	---	DIMENSION STYLE <b>MM ONLY</b> DRAWN BY DATE S. MOCHIZUKI '90/02/22 CHECKED BY DATE M. FUKUSHIMA '97/01/08 APPROVED BY DATE M. FUKUSHIMA '97/01/08	SCALE <b>1:1</b> DESIGN UNITS <b>METRIC</b> THIRD ANGLE PROJECTION
	mm		INCH																					
	4 PLACES	± 0.2	±	---																				
	3 PLACES	± 0.3	±	---																				
2 PLACES	± 0.4	±	---																					
1 PLACE	±	±	---																					
DRAFT WHERE APPLICABLE MUST REMAIN WITHIN DIMENSIONS		MATERIAL NO. <b>SEE CHART</b>	TITLE <b>NEW MINI FIT CONN REC. HOUSING</b>	MOLEX INCORPORATED DOCUMENT NO. <b>SD-5557-003</b>																				
		SHEET NO. <b>2 OF 2</b>																						
THIS DRAWING CONTAINS INFORMATION THAT IS PROPRIETARY TO MOLEX INCORPORATED AND SHOULD NOT BE USED WITHOUT WRITTEN PERMISSION																								