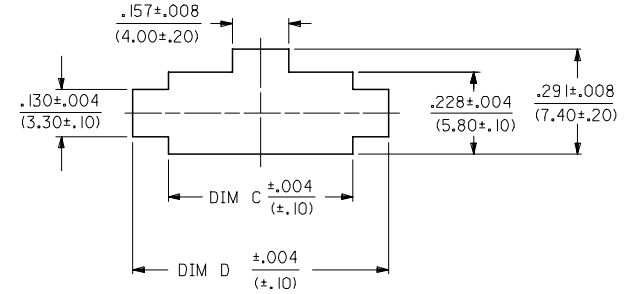
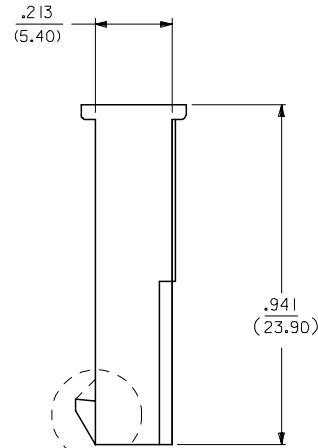
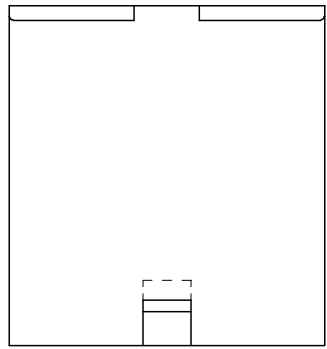


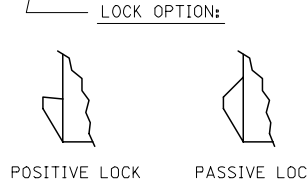
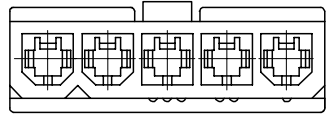
CKT SIZE	DIM A	DIM B	DIM C	DIM D
4	.496 (12.60)	.709 (18.00)	.724 (18.40)	.921 (23.40)
5	.661 (16.80)	.874 (22.20)	.890 (22.60)	1.087 (27.60)
6	.827 (21.00)	1.039 (26.40)	1.055 (26.80)	1.252 (31.80)
7	.992 (25.20)	1.205 (30.60)	1.220 (31.00)	1.417 (36.00)
8	1.157 (29.40)	1.370 (34.80)	1.386 (35.20)	1.583 (40.20)
9	1.323 (33.60)	1.535 (39.00)	1.551 (39.40)	1.748 (44.40)
10	1.488 (37.80)	1.701 (43.20)	1.717 (43.60)	1.913 (48.60)
11	1.654 (42.00)	1.866 (47.40)	1.882 (47.80)	2.079 (52.80)
12	1.819 (46.20)	2.031 (51.60)	2.047 (52.00)	2.244 (57.00)



RECOMMENDED PANEL CUT-OUT
(SEE NOTES 5 & 6)

NOTES:

- MATERIAL; BLANK=NYLON 6/6, UL 94V-2, COLOR: NATURAL.
210=NYLON 6/6, UL 94V-0, COLOR: NATURAL.
210-BL= NYLON 6/6, UL 94V-0 COLOR: BLACK.
- THIS PART MATES WITH RECEPTACLE NO 5557.
- PART IS DESIGNED IN METRIC.
- THIS PART IS FOR USE WITH MOLEX MALE TERMINAL NO. 5558-*
- PANEL MOUNT VERSION IS FOR USE WITH .031/.079/(0.80/2.00) THICK PANELS.
- PANEL SHOULD BE PUNCHED IN THE DIRECTION OF CONNECTOR INSERTION.
- PRODUCT SPECIFICATION: PS-5556-001



WITHOUT MOUNTING EARS

ADDED 50-30-4446 EC NO: UCP2006-0276 DRAWNDUNNE 2005/08/09 CHKD: GPOLGAR 2005/08/09 APPR: ICOMERC.L 2005/08/11	QUALITY SYMBOLS ▽=0 ▽=0
--	-------------------------------

GENERAL TOLERANCES (UNLESS SPECIFIED)	
mm	INCH
4 PLACES ±.005	±.0005
3 PLACES ±.010	±.0010
2 PLACES ±0.25	±.015
1 PLACE ±0.38	±.015
ANGULAR ±1/2°	

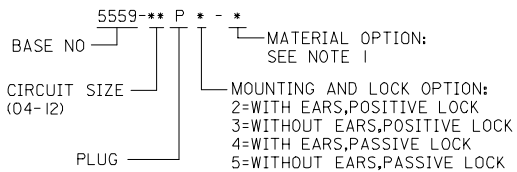
DIMENSION STYLE	
IN/MM	
DRAWN BY	DATE
KSS	2/19/89
CHECKED BY	DATE
RJF	2/19/89
APPROVED BY	DATE
RAS	2/19/89
MATERIAL NO.	DOCUMENT NO.
SEE CHART	SD-5559-NLP*

SCALE	DESIGN UNITS	THIRD ANGLE PROJECTION
---	METRIC	☉
MINI-FIT JR. SERIES PLUG (SINGLE ROW)		
MOLEX INCORPORATED		
SHEET NO. 1 OF 2		THIS DRAFTING CONTAINS INFORMATION THAT IS PROPRIETARY TO MOLEX INCORPORATED AND SHOULD NOT BE USED WITHOUT WRITTEN PERMISSION

13	12	11	10	9	8	
PART NO	ENG NO	CKT SIZE	MOUNTING OPTION	LOCK OPTION	MATERIAL SEE NOTE I	
J	39-01-4042	5559-04P2	4	W/EARS	POSITIVE	94V-2
J	39-01-4046	5559-04P3	4	W/O EAR	POSITIVE	94V-2
J	39-01-4043	5559-04P2-210	4	W/EARS	POSITIVE	94V-0
J	39-01-4047	5559-04P3-210	4	W/O EAR	POSITIVE	94V-0
I	39-01-4052	5559-05P2	5	W/EARS	POSITIVE	94V-2
I	39-01-4056	5559-05P3	5	W/O EAR	POSITIVE	94V-2
I	39-01-4053	5559-05P2-210	5	W/EARS	POSITIVE	94V-0
I	39-01-4057	5559-05P3-210	5	W/O EAR	POSITIVE	94V-0
I	50-30-4446	5559-05P3-210-BL	5	W/O EAR	POSITIVE	94V-0
H	39-01-4062	5559-06P2	6	W/EARS	POSITIVE	94V-2
H	39-01-4066	5559-06P3	6	W/O EAR	POSITIVE	94V-2
H	39-01-4063	5559-06P2-210	6	W/EARS	POSITIVE	94V-0
H	39-01-4067	5559-06P3-210	6	W/O EAR	POSITIVE	94V-0
H	39-01-4072	5559-07P2	7	W/EARS	POSITIVE	94V-2
G	39-01-4076	5559-07P3	7	W/O EAR	POSITIVE	94V-2
G	39-01-4073	5559-07P2-210	7	W/EARS	POSITIVE	94V-0
G	39-01-4077	5559-07P3-210	7	W/O EAR	POSITIVE	94V-0
G	39-01-4082	5559-08P2	8	W/EARS	POSITIVE	94V-2
G	39-01-4086	5559-08P3	8	W/O EAR	POSITIVE	94V-2
G	39-01-4083	5559-08P2-210	8	W/EARS	POSITIVE	94V-0
G	39-01-4087	5559-08P3-210	8	W/O EAR	POSITIVE	94V-0
F	39-01-4092	5559-09P2	9	W/EARS	POSITIVE	94V-2
F	39-01-4096	5559-09P3	9	W/O EAR	POSITIVE	94V-2
F	39-01-4093	5559-09P2-210	9	W/EARS	POSITIVE	94V-0
F	39-01-4097	5559-09P3-210	9	W/O EAR	POSITIVE	94V-0
E	39-01-4102	5559-10P2	10	W/EARS	POSITIVE	94V-2
E	39-01-4106	5559-10P3	10	W/O EAR	POSITIVE	94V-2
E	39-01-4103	5559-10P2-210	10	W/EARS	POSITIVE	94V-0
E	39-01-4107	5559-10P3-210	10	W/O EAR	POSITIVE	94V-0
E	39-01-4112	5559-11P2	11	W/EARS	POSITIVE	94V-2
E	39-01-4116	5559-11P3	11	W/O EAR	POSITIVE	94V-2
E	39-01-4113	5559-11P2-210	11	W/EARS	POSITIVE	94V-0
E	39-01-4117	5559-11P3-210	11	W/O EAR	POSITIVE	94V-0
D	39-01-4122	5559-12P2	12	W/EARS	POSITIVE	94V-2
D	39-01-4126	5559-12P3	12	W/O EAR	POSITIVE	94V-2
D	39-01-4123	5559-12P2-210	12	W/EARS	POSITIVE	94V-0
D	39-01-4127	5559-12P3-210	12	W/O EAR	POSITIVE	94V-0

7	6	5	4	3	2	1
PART NO	ENG NO	CKT SIZE	MOUNTING OPTION	LOCK OPTION	MATERIAL SEE NOTE I	
J	NO E.D.P.	5559-04P4	4	W/EARS	PASSIVE	94V-2
J	NO E.D.P.	5559-04P5	4	W/O EAR	PASSIVE	94V-2
J	NO E.D.P.	5559-04P4-210	4	W/EARS	PASSIVE	94V-0
J	NO E.D.P.	5559-04P5-210	4	W/O EAR	PASSIVE	94V-0
I	50-29-1599	5559-05P4-210	5	W/EARS	PASSIVE	94V-0
I	NO E.D.P.	5559-05P5-210	5	W/O EAR	PASSIVE	94V-0
I	NO E.D.P.	5559-05P5-210-BL	5	W/O EAR	PASSIVE	94V-0
H	NO E.D.P.	5559-06P4	6	W/EARS	PASSIVE	94V-2
H	NO E.D.P.	5559-06P5	6	W/O EAR	PASSIVE	94V-2
H	NO E.D.P.	5559-06P4-210	6	W/EARS	PASSIVE	94V-0
H	NO E.D.P.	5559-06P5-210	6	W/O EAR	PASSIVE	94V-0
G	NO E.D.P.	5559-07P4	7	W/EARS	PASSIVE	94V-2
G	NO E.D.P.	5559-07P5	7	W/O EAR	PASSIVE	94V-2
G	NO E.D.P.	5559-07P4-210	7	W/EARS	PASSIVE	94V-0
G	NO E.D.P.	5559-07P5-210	7	W/O EAR	PASSIVE	94V-0
F	NO E.D.P.	5559-08P4	8	W/EARS	PASSIVE	94V-2
F	NO E.D.P.	5559-08P5	8	W/O EAR	PASSIVE	94V-2
F	NO E.D.P.	5559-08P4-210	8	W/EARS	PASSIVE	94V-0
F	NO E.D.P.	5559-08P5-210	8	W/O EAR	PASSIVE	94V-0
F	NO E.D.P.	5559-09P4	9	W/EARS	PASSIVE	94V-2
F	NO E.D.P.	5559-09P5	9	W/O EAR	PASSIVE	94V-2
F	NO E.D.P.	5559-09P4-210	9	W/EARS	PASSIVE	94V-0
F	NO E.D.P.	5559-09P5-210	9	W/O EAR	PASSIVE	94V-0
E	NO E.D.P.	5559-10P4	10	W/EARS	PASSIVE	94V-2
E	NO E.D.P.	5559-10P5	10	W/O EAR	PASSIVE	94V-2
E	NO E.D.P.	5559-10P4-210	10	W/EARS	PASSIVE	94V-0
E	NO E.D.P.	5559-10P5-210	10	W/O EAR	PASSIVE	94V-0
D	NO E.D.P.	5559-11P4	11	W/EARS	PASSIVE	94V-2
D	NO E.D.P.	5559-11P5	11	W/O EAR	PASSIVE	94V-2
D	NO E.D.P.	5559-11P4-210	11	W/EARS	PASSIVE	94V-0
D	NO E.D.P.	5559-11P5-210	11	W/O EAR	PASSIVE	94V-0
D	NO E.D.P.	5559-12P4	12	W/EARS	PASSIVE	94V-2
D	NO E.D.P.	5559-12P5	12	W/O EAR	PASSIVE	94V-2
D	NO E.D.P.	5559-12P4-210	12	W/EARS	PASSIVE	94V-0
D	NO E.D.P.	5559-12P5-210	12	W/O EAR	PASSIVE	94V-0

LEGEND



SEE SHEET 1 FCC NO: UCP2006-0276 DRAWNDONNE 2005/08/09 CHKD:GOLGAR 2005/08/09 APPR: JCMERC1 2005/08/11 REV:	QUALITY SYMBOLS 	GENERAL TOLERANCES (UNLESS SPECIFIED) <table border="1"> <tr><th colspan="2">mm</th><th colspan="2">INCH</th></tr> <tr><td>4 PLACES</td><td>± .010</td><td>± .0004</td><td>± .0001</td></tr> <tr><td>3 PLACES</td><td>± .015</td><td>± .0005</td><td>± .0002</td></tr> <tr><td>2 PLACES</td><td>± 0.25</td><td>± .015</td><td>± .005</td></tr> <tr><td>1 PLACE</td><td>± 0.38</td><td>± .020</td><td>± .008</td></tr> </table>	mm		INCH		4 PLACES	± .010	± .0004	± .0001	3 PLACES	± .015	± .0005	± .0002	2 PLACES	± 0.25	± .015	± .005	1 PLACE	± 0.38	± .020	± .008	DIMENSION STYLE IN/MM DRAWN BY: RJF DATE: 10/13/89 CHECKED BY: BAP DATE: 10/13/89 APPROVED BY: RAS DATE: 10/13/89	SCALE: 1:1 DESIGN UNITS: METRIC THIRD ANGLE PROJECTION
	mm		INCH																					
	4 PLACES	± .010	± .0004	± .0001																				
	3 PLACES	± .015	± .0005	± .0002																				
2 PLACES	± 0.25	± .015	± .005																					
1 PLACE	± 0.38	± .020	± .008																					
DRAFT WHERE APPLICABLE MUST REMAIN WITHIN DIMENSIONS		SEE CHART	MOLEX MOLEX INCORPORATED MATERIAL NO. SD-5559-NLP* DOCUMENT NO. SHEET NO. 2																					
THIS DRAWING CONTAINS INFORMATION THAT IS PROPRIETARY TO MOLEX INCORPORATED AND SHOULD NOT BE USED WITHOUT WRITTEN PERMISSION																								