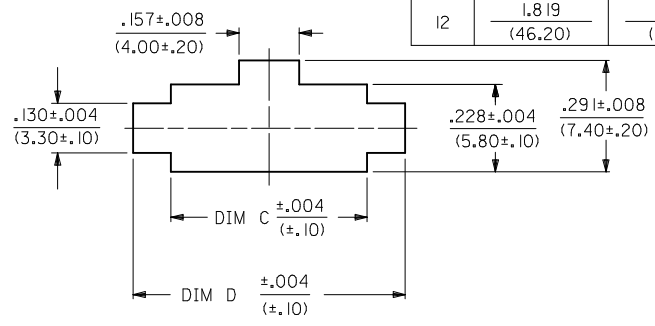
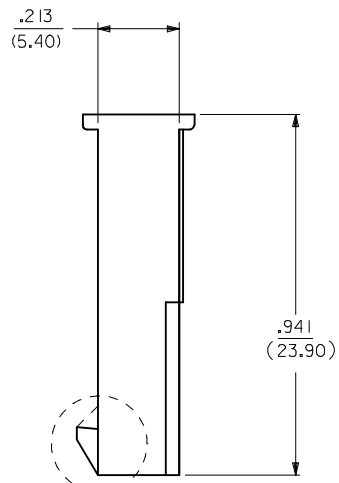


CKT SIZE	DIM A	DIM B	DIM C	DIM D
4	.496 (12.60)	.709 (18.00)	.724 (18.40)	.921 (23.40)
5	.661 (16.80)	.874 (22.20)	.890 (22.60)	1.087 (27.60)
6	.827 (21.00)	1.039 (26.40)	1.055 (26.80)	1.252 (31.80)
7	.992 (25.20)	1.205 (30.60)	1.220 (31.00)	1.417 (36.00)
8	1.157 (29.40)	1.370 (34.80)	1.386 (35.20)	1.583 (40.20)
9	1.323 (33.60)	1.535 (39.00)	1.551 (39.40)	1.748 (44.40)
10	1.488 (37.80)	1.701 (43.20)	1.717 (43.60)	1.913 (48.60)
11	1.654 (42.00)	1.866 (47.40)	1.882 (47.80)	2.079 (52.80)
12	1.819 (46.20)	2.031 (51.60)	2.047 (52.00)	2.244 (57.00)

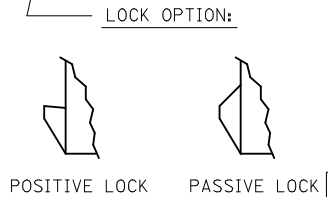
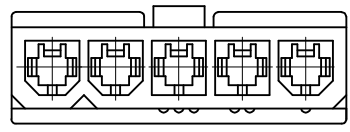
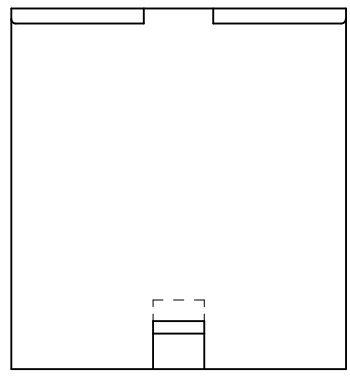
FACTORY ID  
SEE NOTE 9



RECOMMENDED PANEL CUT-OUT  
(SEE NOTES 5 & 6)

NOTES:

- MATERIAL: BLANK=NYLON 6/6, UL 94V-2, COLOR: NATURAL.  
210=NYLON 6/6, UL 94V-0, COLOR: NATURAL.  
210-BL=NYLON 6/6, UL 94 V-0, COLOR: BLACK.
- FINISH: NOTE APPLICABLE
- PRODUCT SPECIFICATION: PS-5556-001
- PACKAGING SPECIFICATION: BULK PER PK-5559-003
- THIS PART MATES WITH RECEPTACLE NO. 5557.
- THIS PART IS FOR USE WITH MOLEX MALE TERMINAL NO. 5558-\*
- PANEL MOUNT VERSION IS FOR USE WITH .031/.079/(10.80/2.00) THICK PANELS.
- PANEL SHOULD BE PUNCHED IN THE DIRECTION OF CONNECTOR INSERTION.
- FACTORY ID MAY BE LOCATED ON EARS.
- THIS PART CONFORMS TO CLASS B REQUIREMENTS OF COSMETIC SPECIFICATION PS-45499-002.
- PART IS NOT DESIGNED FOR CURRENT SHARING.
- PARTS ARE NOT TO BE MATED OR UNMATED WHILE CIRCUITS ARE LIVE.
- WIRES ARE TO BE DRESSED IN SUCH A MANNER TO ALLOW THE TERMINALS TO FLOAT FREELY IN THE POCKET.



WITHOUT MOUNTING EARS

2	J1
1	J2

ADD NOTE 11,12,&13 EC NO: UCP2010-0351 DRWN: TRBENES 2009/08/06 CHKD: JBEL 2009/08/07 APPR: FSMITH 2009/08/07	QUALITY SYMBOLS
	▽=0 ▽=0
REV J2	DESCRIPTION

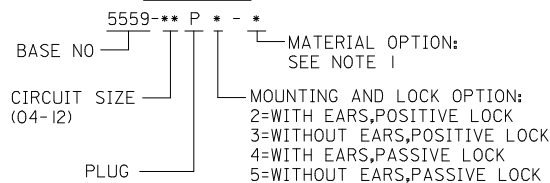
GENERAL TOLERANCES (UNLESS SPECIFIED)	DIMENSION STYLE										
<table border="1"> <tr> <th>mm</th> <th>INCH</th> </tr> <tr> <td>4 PLACES ± ---</td> <td>± ---</td> </tr> <tr> <td>3 PLACES ± ---</td> <td>± .010</td> </tr> <tr> <td>2 PLACES ± 0.25</td> <td>± .015</td> </tr> <tr> <td>1 PLACE ± 0.38</td> <td>± ---</td> </tr> </table> ANGULAR ±1/2°	mm	INCH	4 PLACES ± ---	± ---	3 PLACES ± ---	± .010	2 PLACES ± 0.25	± .015	1 PLACE ± 0.38	± ---	IN/MM
mm	INCH										
4 PLACES ± ---	± ---										
3 PLACES ± ---	± .010										
2 PLACES ± 0.25	± .015										
1 PLACE ± 0.38	± ---										
DRAFT WHERE APPLICABLE MUST REMAIN WITHIN DIMENSIONS	DRAWN BY DATE										
	KSS 2/19/89										
SIZE C	CHECKED BY DATE										
	RJF 2/19/89										
MATERIAL NO. SEE CHART	APPROVED BY DATE										
	RAS 2/19/89										
DOCUMENT NO. SD-5559-NLP*											

SCALE 1:1	DESIGN UNITS METRIC	THIRD ANGLE PROJECTION
MINI-FIT JR. SERIES PLUG (SINGLE ROW)		
MOLEX INCORPORATED		

SHEET NO. 1 OF 2	
THIS DRAWING CONTAINS INFORMATION THAT IS PROPRIETARY TO MOLEX INCORPORATED AND SHOULD NOT BE USED WITHOUT WRITTEN PERMISSION	

	13	12	11	10	9	8	7	6	5	4	3	2	1
	PART NO	ENG NO	CKT SIZE	MOUNTING OPTION	LOCK OPTION	MATERIAL SEE NOTE I	PART NO	ENG NO	CKT SIZE	MOUNTING OPTION	LOCK OPTION	MATERIAL SEE NOTE I	
J	39-01-4042	5559-04P2	4	W/EARS	POSITIVE	94V-2	NO E.D.P.	5559-04P4	4	W/EARS	PASSIVE	94V-2	J
	39-01-4046	5559-04P3	4	W/O EAR	POSITIVE	94V-2	NO E.D.P.	5559-04P5	4	W/O EAR	PASSIVE	94V-2	
	39-01-4043	5559-04P2-210	4	W/EARS	POSITIVE	94V-0	NO E.D.P.	5559-04P4-210	4	W/EARS	PASSIVE	94V-0	
	39-01-4047	5559-04P3-210	4	W/O EAR	POSITIVE	94V-0	NO E.D.P.	5559-04P5-210	4	W/O EAR	PASSIVE	94V-0	
	39-01-4052	5559-05P2	5	W/EARS	POSITIVE	94V-2							
	39-01-4056	5559-05P3	5	W/O EAR	POSITIVE	94V-2							
I	39-01-4053	5559-05P2-210	5	W/EARS	POSITIVE	94V-0	50-29-1599	5559-05P4-210	5	W/EARS	PASSIVE	94V-0	I
	39-01-4057	5559-05P3-210	5	W/O EAR	POSITIVE	94V-0	NO E.D.P.	5559-05P5-210	5	W/O EAR	PASSIVE	94V-0	
	50-30-4446	5559-05P3-210-BL	5	W/O EAR	POSITIVE	94V-0	NO E.D.P.	5559-05P5-210-BL	5	W/O EAR	PASSIVE	94V-0	
	39-01-4062	5559-06P2	6	W/EARS	POSITIVE	94V-2	NO E.D.P.	5559-06P4	6	W/EARS	PASSIVE	94V-2	
	39-01-4066	5559-06P3	6	W/O EAR	POSITIVE	94V-2	NO E.D.P.	5559-06P5	6	W/O EAR	PASSIVE	94V-2	
H	39-01-4063	5559-06P2-210	6	W/EARS	POSITIVE	94V-0	NO E.D.P.	5559-06P4-210	6	W/EARS	PASSIVE	94V-0	H
	39-01-4067	5559-06P3-210	6	W/O EAR	POSITIVE	94V-0	NO E.D.P.	5559-06P5-210	6	W/O EAR	PASSIVE	94V-0	
	39-01-4072	5559-07P2	7	W/EARS	POSITIVE	94V-2	NO E.D.P.	5559-07P4	7	W/EARS	PASSIVE	94V-2	
	39-01-4076	5559-07P3	7	W/O EAR	POSITIVE	94V-2	NO E.D.P.	5559-07P5	7	W/O EAR	PASSIVE	94V-2	
	39-01-4073	5559-07P2-210	7	W/EARS	POSITIVE	94V-0	NO E.D.P.	5559-07P4-210	7	W/EARS	PASSIVE	94V-0	
G	39-01-4077	5559-07P3-210	7	W/O EAR	POSITIVE	94V-0	NO E.D.P.	5559-07P5-210	7	W/O EAR	PASSIVE	94V-0	G
	39-01-4082	5559-08P2	8	W/EARS	POSITIVE	94V-2	NO E.D.P.	5559-08P4	8	W/EARS	PASSIVE	94V-2	
	39-01-4086	5559-08P3	8	W/O EAR	POSITIVE	94V-2	NO E.D.P.	5559-08P5	8	W/O EAR	PASSIVE	94V-2	
	39-01-4083	5559-08P2-210	8	W/EARS	POSITIVE	94V-0	NO E.D.P.	5559-08P4-210	8	W/EARS	PASSIVE	94V-0	
	39-01-4087	5559-08P3-210	8	W/O EAR	POSITIVE	94V-0	NO E.D.P.	5559-08P5-210	8	W/O EAR	PASSIVE	94V-0	
F	39-01-4092	5559-09P2	9	W/EARS	POSITIVE	94V-2	NO E.D.P.	5559-09P4	9	W/EARS	PASSIVE	94V-2	F
	39-01-4096	5559-09P3	9	W/O EAR	POSITIVE	94V-2	NO E.D.P.	5559-09P5	9	W/O EAR	PASSIVE	94V-2	
	39-01-4093	5559-09P2-210	9	W/EARS	POSITIVE	94V-0	NO E.D.P.	5559-09P4-210	9	W/EARS	PASSIVE	94V-0	
	39-01-4097	5559-09P3-210	9	W/O EAR	POSITIVE	94V-0	NO E.D.P.	5559-09P5-210	9	W/O EAR	PASSIVE	94V-0	
	39-01-4102	5559-10P2	10	W/EARS	POSITIVE	94V-2	NO E.D.P.	5559-10P4	10	W/EARS	PASSIVE	94V-2	
	39-01-4106	5559-10P3	10	W/O EAR	POSITIVE	94V-2	NO E.D.P.	5559-10P5	10	W/O EAR	PASSIVE	94V-2	
E	39-01-4103	5559-10P2-210	10	W/EARS	POSITIVE	94V-0	NO E.D.P.	5559-10P4-210	10	W/EARS	PASSIVE	94V-0	E
	39-01-4107	5559-10P3-210	10	W/O EAR	POSITIVE	94V-0	NO E.D.P.	5559-10P5-210	10	W/O EAR	PASSIVE	94V-0	
	39-01-4112	5559-11P2	11	W/EARS	POSITIVE	94V-2	NO E.D.P.	5559-11P4	11	W/EARS	PASSIVE	94V-2	
	39-01-4116	5559-11P3	11	W/O EAR	POSITIVE	94V-2	NO E.D.P.	5559-11P5	11	W/O EAR	PASSIVE	94V-2	
	39-01-4113	5559-11P2-210	11	W/EARS	POSITIVE	94V-0	NO E.D.P.	5559-11P4-210	11	W/EARS	PASSIVE	94V-0	
D	39-01-4117	5559-11P3-210	11	W/O EAR	POSITIVE	94V-0	NO E.D.P.	5559-11P5-210	11	W/O EAR	PASSIVE	94V-0	D
	39-01-4122	5559-12P2	12	W/EARS	POSITIVE	94V-2	NO E.D.P.	5559-12P4	12	W/EARS	PASSIVE	94V-2	
	39-01-4126	5559-12P3	12	W/O EAR	POSITIVE	94V-2	NO E.D.P.	5559-12P5	12	W/O EAR	PASSIVE	94V-2	
	39-01-4123	5559-12P2-210	12	W/EARS	POSITIVE	94V-0	NO E.D.P.	5559-12P4-210	12	W/EARS	PASSIVE	94V-0	
	39-01-4127	5559-12P3-210	12	W/O EAR	POSITIVE	94V-0	NO E.D.P.	5559-12P5-210	12	W/O EAR	PASSIVE	94V-0	

**LEGEND**



<b>SEE SHEET 1</b> EC NO: UCP2009-0409 DRWN: KLOSTERMAYER 2008/09/25 CHKD: BELL 2008/09/29 APPR: F. SMITH 2008/09/29	QUALITY SYMBOLS ▽=0 ▽=0	GENERAL TOLERANCES (UNLESS SPECIFIED) <table border="1"> <tr> <th></th> <th>mm</th> <th>INCH</th> </tr> <tr> <td>4 PLACES</td> <td>± .---</td> <td>± .---</td> </tr> <tr> <td>3 PLACES</td> <td>± .---</td> <td>± .010</td> </tr> <tr> <td>2 PLACES</td> <td>± 0.25</td> <td>± .015</td> </tr> <tr> <td>1 PLACE</td> <td>± 0.38</td> <td>± .---</td> </tr> </table>		mm	INCH	4 PLACES	± .---	± .---	3 PLACES	± .---	± .010	2 PLACES	± 0.25	± .015	1 PLACE	± 0.38	± .---	DIMENSION STYLE <b>IN/MM</b> DRAWN BY: RJF DATE: 10/13/89 CHECKED BY: BAP DATE: 10/13/89 APPROVED BY: RAS DATE: 10/13/89	SCALE: 1:1 DESIGN UNITS: METRIC THIRD ANGLE PROJECTION	TITLE: <b>MINI-FIT JR SERIES PLUG (SINGLE ROW)</b> <b>MOLEX INCORPORATED</b> DOCUMENT NO: SD-5559-NLP* SHEET NO: 2 OF 2
		mm	INCH																	
	4 PLACES	± .---	± .---																	
	3 PLACES	± .---	± .010																	
2 PLACES	± 0.25	± .015																		
1 PLACE	± 0.38	± .---																		
DRAFT WHERE APPLICABLE MUST REMAIN WITHIN DIMENSIONS		MATERIAL NO: <b>SEE CHART</b> SIZE: C	THIS DRAWING CONTAINS INFORMATION THAT IS PROPRIETARY TO MOLEX INCORPORATED AND SHOULD NOT BE USED WITHOUT WRITTEN PERMISSION																	