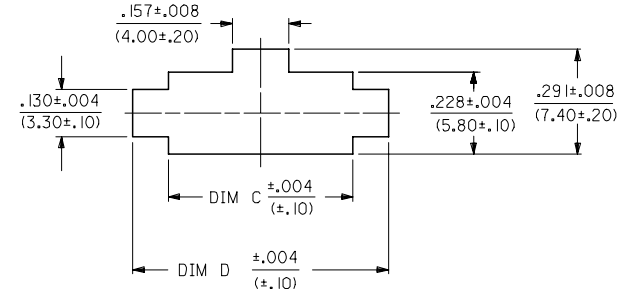
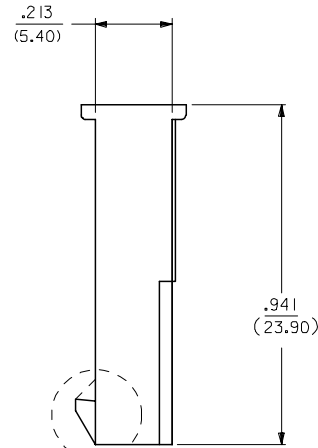
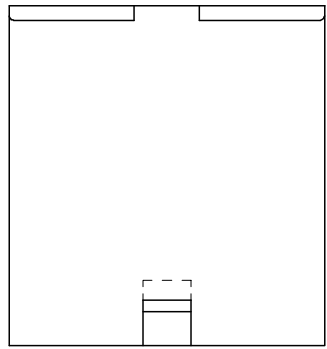


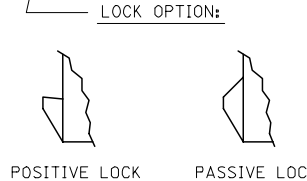
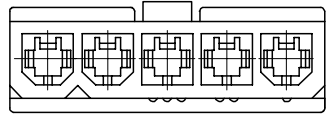
CKT SIZE	DIM A	DIM B	DIM C	DIM D
4	.496 (12.60)	.709 (18.00)	.724 (18.40)	.921 (23.40)
5	.661 (16.80)	.874 (22.20)	.890 (22.60)	1.087 (27.60)
6	.827 (21.00)	1.039 (26.40)	1.055 (26.80)	1.252 (31.80)
7	.992 (25.20)	1.205 (30.60)	1.220 (31.00)	1.417 (36.00)
8	1.157 (29.40)	1.370 (34.80)	1.386 (35.20)	1.583 (40.20)
9	1.323 (33.60)	1.535 (39.00)	1.551 (39.40)	1.748 (44.40)
10	1.488 (37.80)	1.701 (43.20)	1.717 (43.60)	1.913 (48.60)
11	1.654 (42.00)	1.866 (47.40)	1.882 (47.80)	2.079 (52.80)
12	1.819 (46.20)	2.031 (51.60)	2.047 (52.00)	2.244 (57.00)



RECOMMENDED PANEL CUT-OUT
(SEE NOTES 5 & 6)

NOTES:

- MATERIAL; BLANK=NYLON 6/6, UL 94V-2, COLOR: NATURAL.
210=NYLON 6/6, UL 94V-0, COLOR: NATURAL.
210-BL= NYLON 6/6, UL 94V-0 COLOR: BLACK.
- THIS PART MATES WITH RECEPTACLE NO 5557.
- PART IS DESIGNED IN METRIC.
- THIS PART IS FOR USE WITH MOLEX MALE TERMINAL NO. 5558-*
- PANEL MOUNT VERSION IS FOR USE WITH .031/.079/(0.80/2.00) THICK PANELS.
- PANEL SHOULD BE PUNCHED IN THE DIRECTION OF CONNECTOR INSERTION.
- PRODUCT SPECIFICATION: PS-5556-001



2	J
1	J

ADDED 50-30-4446 EC NO: UCP2006-0276 DRAWNDUNNE 2005/08/09 CHKD: GPOLGAR 2005/08/09 APPR: ICOMERC.L 2005/08/11	QUALITY SYMBOLS ▽=0 ▽=0
--	-------------------------------

GENERAL TOLERANCES (UNLESS SPECIFIED) mm INCH 4 PLACES ± --- ± --- 3 PLACES ± --- ± .010 2 PLACES ± 0.25 ± .015 1 PLACE ± 0.38 ± --- ANGULAR ±1/2°	DIMENSION STYLE IN/MM DRAWN BY DATE KSS 2/19/89 CHECKED BY DATE RJF 2/19/89 APPROVED BY DATE RAS 2/19/89 MATERIAL NO. SEE CHART DRAFT WHERE APPLICABLE MUST REMAIN WITHIN DIMENSIONS
--	--

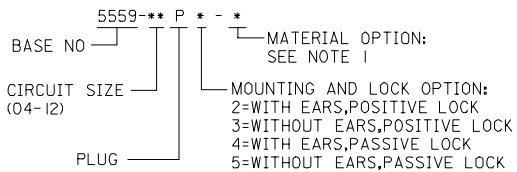
SCALE --- DESIGN UNITS METRIC THIRD ANGLE PROJECTION MOLEX INCORPORATED DOCUMENT NO. SD-5559-NLP* SHEET NO. 1 OF 2

MINI-FIT JR. SERIES PLUG (SINGLE ROW) MOLEX INCORPORATED DOCUMENT NO. SD-5559-NLP* SHEET NO. 1 OF 2
--

13	12	11	10	9	8	
PART NO	ENG NO	CKT SIZE	MOUNTING OPTION	LOCK OPTION	MATERIAL SEE NOTE I	
J	39-01-4042	5559-04P2	4	W/EARS	POSITIVE	94V-2
J	39-01-4046	5559-04P3	4	W/O EAR	POSITIVE	94V-2
J	39-01-4043	5559-04P2-210	4	W/EARS	POSITIVE	94V-0
J	39-01-4047	5559-04P3-210	4	W/O EAR	POSITIVE	94V-0
I	39-01-4052	5559-05P2	5	W/EARS	POSITIVE	94V-2
I	39-01-4056	5559-05P3	5	W/O EAR	POSITIVE	94V-2
I	39-01-4053	5559-05P2-210	5	W/EARS	POSITIVE	94V-0
I	39-01-4057	5559-05P3-210	5	W/O EAR	POSITIVE	94V-0
I	50-30-4446	5559-05P3-210-BL	5	W/O EAR	POSITIVE	94V-0
H	39-01-4062	5559-06P2	6	W/EARS	POSITIVE	94V-2
H	39-01-4066	5559-06P3	6	W/O EAR	POSITIVE	94V-2
H	39-01-4063	5559-06P2-210	6	W/EARS	POSITIVE	94V-0
H	39-01-4067	5559-06P3-210	6	W/O EAR	POSITIVE	94V-0
H	39-01-4072	5559-07P2	7	W/EARS	POSITIVE	94V-2
G	39-01-4076	5559-07P3	7	W/O EAR	POSITIVE	94V-2
G	39-01-4073	5559-07P2-210	7	W/EARS	POSITIVE	94V-0
G	39-01-4077	5559-07P3-210	7	W/O EAR	POSITIVE	94V-0
G	39-01-4082	5559-08P2	8	W/EARS	POSITIVE	94V-2
G	39-01-4086	5559-08P3	8	W/O EAR	POSITIVE	94V-2
G	39-01-4083	5559-08P2-210	8	W/EARS	POSITIVE	94V-0
G	39-01-4087	5559-08P3-210	8	W/O EAR	POSITIVE	94V-0
F	39-01-4092	5559-09P2	9	W/EARS	POSITIVE	94V-2
F	39-01-4096	5559-09P3	9	W/O EAR	POSITIVE	94V-2
F	39-01-4093	5559-09P2-210	9	W/EARS	POSITIVE	94V-0
F	39-01-4097	5559-09P3-210	9	W/O EAR	POSITIVE	94V-0
E	39-01-4102	5559-10P2	10	W/EARS	POSITIVE	94V-2
E	39-01-4106	5559-10P3	10	W/O EAR	POSITIVE	94V-2
E	39-01-4103	5559-10P2-210	10	W/EARS	POSITIVE	94V-0
E	39-01-4107	5559-10P3-210	10	W/O EAR	POSITIVE	94V-0
E	39-01-4112	5559-11P2	11	W/EARS	POSITIVE	94V-2
E	39-01-4116	5559-11P3	11	W/O EAR	POSITIVE	94V-2
E	39-01-4113	5559-11P2-210	11	W/EARS	POSITIVE	94V-0
D	39-01-4117	5559-11P3-210	11	W/O EAR	POSITIVE	94V-0
D	39-01-4122	5559-12P2	12	W/EARS	POSITIVE	94V-2
D	39-01-4126	5559-12P3	12	W/O EAR	POSITIVE	94V-2
D	39-01-4123	5559-12P2-210	12	W/EARS	POSITIVE	94V-0
D	39-01-4127	5559-12P3-210	12	W/O EAR	POSITIVE	94V-0

7	6	5	4	3	2	1
PART NO	ENG NO	CKT SIZE	MOUNTING OPTION	LOCK OPTION	MATERIAL SEE NOTE I	
J	NO E.D.P.	5559-04P4	4	W/EARS	PASSIVE	94V-2
J	NO E.D.P.	5559-04P5	4	W/O EAR	PASSIVE	94V-2
J	NO E.D.P.	5559-04P4-210	4	W/EARS	PASSIVE	94V-0
J	NO E.D.P.	5559-04P5-210	4	W/O EAR	PASSIVE	94V-0
I	50-29-1599	5559-05P4-210	5	W/EARS	PASSIVE	94V-0
I	NO E.D.P.	5559-05P5-210	5	W/O EAR	PASSIVE	94V-0
I	NO E.D.P.	5559-05P5-210-BL	5	W/O EAR	PASSIVE	94V-0
H	NO E.D.P.	5559-06P4	6	W/EARS	PASSIVE	94V-2
H	NO E.D.P.	5559-06P5	6	W/O EAR	PASSIVE	94V-2
H	NO E.D.P.	5559-06P4-210	6	W/EARS	PASSIVE	94V-0
H	NO E.D.P.	5559-06P5-210	6	W/O EAR	PASSIVE	94V-0
G	NO E.D.P.	5559-07P4	7	W/EARS	PASSIVE	94V-2
G	NO E.D.P.	5559-07P5	7	W/O EAR	PASSIVE	94V-2
G	NO E.D.P.	5559-07P4-210	7	W/EARS	PASSIVE	94V-0
G	NO E.D.P.	5559-07P5-210	7	W/O EAR	PASSIVE	94V-0
F	NO E.D.P.	5559-08P4	8	W/EARS	PASSIVE	94V-2
F	NO E.D.P.	5559-08P5	8	W/O EAR	PASSIVE	94V-2
F	NO E.D.P.	5559-08P4-210	8	W/EARS	PASSIVE	94V-0
F	NO E.D.P.	5559-08P5-210	8	W/O EAR	PASSIVE	94V-0
F	NO E.D.P.	5559-09P4	9	W/EARS	PASSIVE	94V-2
F	NO E.D.P.	5559-09P5	9	W/O EAR	PASSIVE	94V-2
F	NO E.D.P.	5559-09P4-210	9	W/EARS	PASSIVE	94V-0
F	NO E.D.P.	5559-09P5-210	9	W/O EAR	PASSIVE	94V-0
E	NO E.D.P.	5559-10P4	10	W/EARS	PASSIVE	94V-2
E	NO E.D.P.	5559-10P5	10	W/O EAR	PASSIVE	94V-2
E	NO E.D.P.	5559-10P4-210	10	W/EARS	PASSIVE	94V-0
E	NO E.D.P.	5559-10P5-210	10	W/O EAR	PASSIVE	94V-0
D	NO E.D.P.	5559-11P4	11	W/EARS	PASSIVE	94V-2
D	NO E.D.P.	5559-11P5	11	W/O EAR	PASSIVE	94V-2
D	NO E.D.P.	5559-11P4-210	11	W/EARS	PASSIVE	94V-0
D	NO E.D.P.	5559-11P5-210	11	W/O EAR	PASSIVE	94V-0
D	NO E.D.P.	5559-12P4	12	W/EARS	PASSIVE	94V-2
D	NO E.D.P.	5559-12P5	12	W/O EAR	PASSIVE	94V-2
D	NO E.D.P.	5559-12P4-210	12	W/EARS	PASSIVE	94V-0
D	NO E.D.P.	5559-12P5-210	12	W/O EAR	PASSIVE	94V-0

LEGEND



SEE SHEET 1 FCC NO: UCP2006-0276 DRAWNDONNE 2005/08/09 CHKD:GOLGAR 2005/08/09 APPR: JCMERC1 2005/08/11	QUALITY SYMBOLS 	GENERAL TOLERANCES (UNLESS SPECIFIED)		DIMENSION STYLE IN/MM		SCALE 1:1	DESIGN UNITS METRIC	THIRD ANGLE PROJECTION
		4 PLACES ± --- ± --- 3 PLACES ± --- ± .010 2 PLACES ± 0.25 ± .015 1 PLACE ± 0.38 ± --- ANGULAR ±1/2°	DRAWN BY RJF CHECKED BY BAP APPROVED BY RAS	DATE 10/13/89 DATE 10/13/89 DATE 10/13/89	TITLE MINI-FIT JR SERIES PLUG (SINGLE ROW)			
DRAFT WHERE APPLICABLE MUST REMAIN WITHIN DIMENSIONS		MATERIAL NO. SEE CHART		DOCUMENT NO. SD-5559-NLP*		SHEET NO. 2		
THIS DRAWING CONTAINS INFORMATION THAT IS PROPRIETARY TO MOLEX INCORPORATED AND SHOULD NOT BE USED WITHOUT WRITTEN PERMISSION								