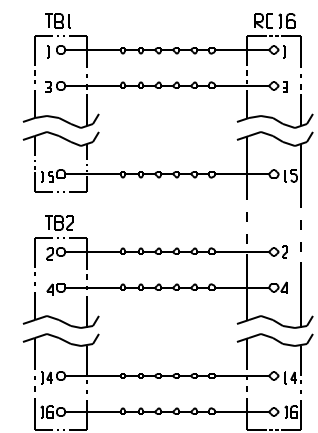
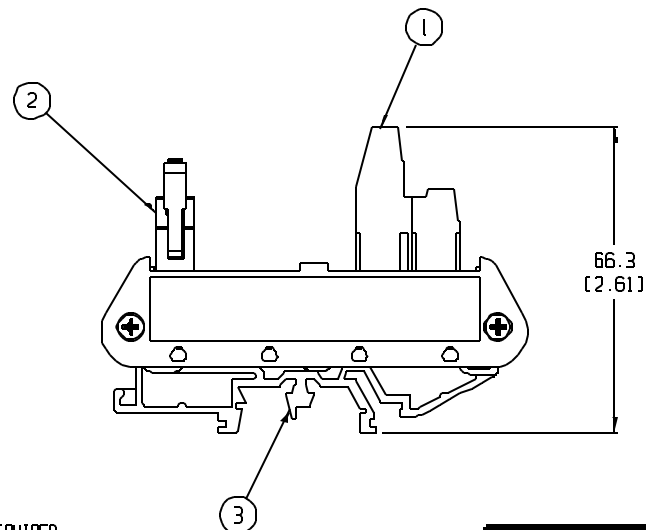


16 POSITION SHOWN



TYPICAL SCHEMATIC
(16 POSITION SHOWN)

NO. OF CIRCUITS	DIM. "A"	MATERIAL NUMBER
14	50.8 [2.00]	39170-1014
16	53.3 [2.10]	39170-1016
20	61.0 [2.40]	39170-1020
26	76.2 [3.00]	39170-1026
34	95.0 [3.74]	39170-1034
40	111.5 [4.39]	39170-1040
50	135.6 [5.34]	39170-1050

- NOTES:
1. MATERIAL: SEE TABLE
 2. FINISHES: SEE TABLE
 3. PRODUCT SPECIFICATION: NOT REQUIRED
 4. PACKAGING: NOT REQUIRED
 5. MATES WITH: RIBBON CABLE

ITEM	QTY.	DESCRIPTION	MATERIAL	FINISH
3	2	DIN RAIL ADAPTOR UNIT	THERMOPLASTIC	BLACK
2	1	RIBBON CABLE TO 5.08 FIXED, PC BOARD ASSY.	-	-
1	1	5.08 FIXED DUAL LEVEL BTS	SEE SD-39880-006	BLACK

RELEASED CLY REV A	DESCRIPTION MAJOR CRITICAL SPC	GENERAL TOLERANCES: (UNLESS SPECIFIED)		SCALE 1:1	DESIGN UNITS <input type="checkbox"/> mm <input checked="" type="checkbox"/> INCH	THIRD ANGLE PROJECTION	PROJECT NO. 06-010 DIMENSIONS:		
		4 PLACES ±.0015 3 PLACES ±.030 2 PLACES ±.13 1 PLACE ±.3	mm INCH ±.0015 ±.005 ±.01 ±.3	DRAWN BY & DATE C. YORK (11-10-04)	CHECKED BY & DATE	TITLE: DIN RAIL INTERFACE MODULE, RIBBON CABLE TO 5.08 FIXED EUROSTYLE TERMINAL BLOCK	<input checked="" type="checkbox"/> mm <input type="checkbox"/> INCH <input type="checkbox"/> mm ONLY	SHEET 1 OF 1	REV -
APPROVED BY & DATE		ANGULAR: ±2°		CAD FILENAME SD-39170-005	MATERIAL NO. SEE CHART	DRAWING NO. SD-39170-005	SHEET NO. 1 OF 1	SIZE B	
DRAFT WHERE APPLICABLE MUST REMAIN WITHIN DIMENSIONS									THIS DRAWING CONTAINS INFORMATION THAT IS PROPRIETARY TO MOLEX (INCORPORATED AND SHOULD NOT BE USED WITHOUT WRITTEN PERMISSION.