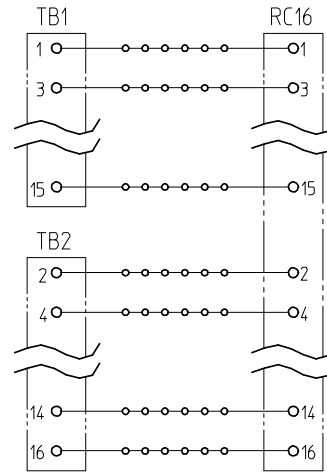
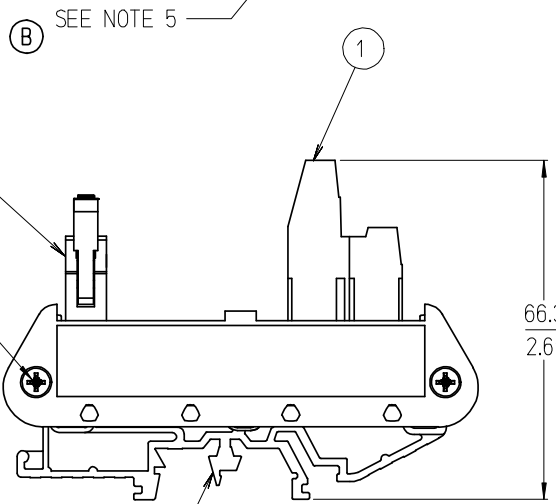


16 POSITION SHOWN



TYPICAL SCHEMATIC (16 POSITION SHOWN)

NO. OF CIRCUITS	DIM. "A"		MATERIAL NUMBER
14	50.8	[2.00]	39170-1014
16	53.3	[2.10]	39170-1016
20	61.0	[2.40]	39170-1020
26	76.2	[3.00]	39170-1026
34	95.0	[3.74]	39170-1034
40	111.5	[4.39]	39170-1040
50	135.6	[5.34]	39170-1050

NOTES:

- 1. MATERIAL: SEE TABLE
- 2. FINISHES: SEE TABLE
- 3. MATES WITH: RIBBON CABLE
- (B) 4. END CAP MOUNT SCREW TORQUE: 0.5 N-m (4.4 lbf-in) MINIMUM  
0.6 N-m (5.3 lbf-in) MAXIMUM
- (B) 5. TERMINAL BLOCK SCREW TORQUE: 0.8 N-m (7.1 lbf-in)
- 6. 39170-1050 IS ROHS COMPLIANT, ALL OTHERS NOT REQUIRED.

ITEM	QTY.	DESCRIPTION	MATERIAL	FINISH
3	2	DIN RAIL ADAPTOR UNIT	THERMOPLASTIC	BLACK
2	1	RIBBON CABLE TO 5.08 FIXED, PC BOARD ASSY.	-	-
1	1	5.08 FIXED DUAL LEVEL BTS	SEE SD-39880-006	BLACK

**ADD SCREW TORQUE**  
 EC NO: ETC2007-0331  
 DRWN: CLYORK 2007/03/12  
 CHKD: JMACNEIL 2007/03/14  
 APPR: JMACNEIL 2007/03/15

DESCRIPTION  
 B

REV

QUALITY SYMBOLS  
 ▽=0  
 ▽=0

GENERAL TOLERANCES (UNLESS SPECIFIED)

	mm	INCH
4 PLACES	±---	±---
3 PLACES	±---	±.005
2 PLACES	±0.13	±.01
1 PLACE	±0.3	±---

ANGULAR ± 2 °

DRAFT WHERE APPLICABLE  
 MUST REMAIN WITHIN DIMENSIONS

SIZE B

THIS DRAWING CONTAINS INFORMATION THAT IS PROPRIETARY TO MOLEX INCORPORATED AND SHOULD NOT BE USED WITHOUT WRITTEN PERMISSION

DIMENSION STYLE  
 MM/IN

SCALE  
 1:1

DESIGN UNITS  
 INCH

THIRD ANGLE PROJECTION

DRAWN BY  
 C. YORK

DATE  
 2004/11/10

CHECKED BY  
 R. STONE

DATE  
 2004/11/16

APPROVED BY  
 G. ROBERTSON

DATE  
 2004/11/16

TITLE  
 DIN RAIL INTERFACE MODULE, RIBBON CABLE TO 5.08MM DUAL LEV. FIXED

MATERIAL NO.  
 SEE CHART

DOCUMENT NO.  
 SD-39170-005

SHEET NO.  
 1 OF 1

MOLEX MOLEX INCORPORATED