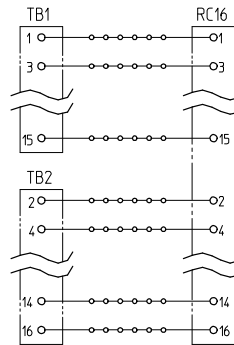
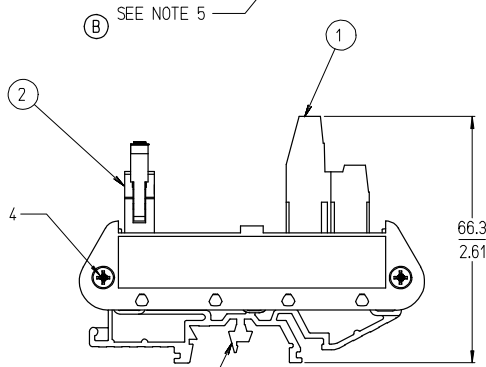


16 POSITION SHOWN

NO. OF CIRCUITS	DIM. "A"	MATERIAL NUMBER
14	50.8 [2.00]	39170-1014
16	53.3 [2.10]	39170-1016
20	61.0 [2.40]	39170-1020
26	76.2 [3.00]	39170-1026
34	95.0 [3.74]	39170-1034
40	111.5 [4.39]	39170-1040
50	135.6 [5.34]	39170-1050



TYPICAL SCHEMATIC (16 POSITION SHOWN)

NOTES:

1. MATERIAL: SEE TABLE
2. FINISHES: SEE TABLE
3. MATES WITH: RIBBON CABLE
4. END CAP MOUNT SCREW TORQUE: 0.5 N-m (4.4 lbf-in) MINIMUM  
0.6 N-m (5.3 lbf-in) MAXIMUM
5. TERMINAL BLOCK SCREW TORQUE: 0.8 N-m (7.1 lbf-in)
6. 39170-1050 IS ROHS COMPLIANT, ALL OTHERS NOT REQUIRED.

ADD SCREW TORQUE	QUALITY SYMBOLS
EC NO: ETC2007-0331	▽=0
DRW: A. L. YORK 2007/03/12	▽=0
CHKD: J. MACNEIL 2007/03/14	
APPR: J. MACNEIL 2007/03/15	
DESCRIPTION	
REV	

GENERAL TOLERANCES (UNLESS SPECIFIED)	
	mm INCH
4 PLACES	± .13 ± .005
3 PLACES	± .13 ± .01
2 PLACES	± 0.3 ± .---
1 PLACE	± 0.3 ± .---
ANGULAR ± 2 °	
DRAFT WHERE APPLICABLE MUST REMAIN WITHIN DIMENSIONS	

DRAWN BY	DATE
C. YORK	2004/11/10
CHECKED BY	DATE
R. STONE	2004/11/16
APPROVED BY	DATE
G. ROBERTSON	2004/11/16
MATERIAL NO.	
SEE CHART	

SCALE	DESIGN UNITS	THIRD ANGLE PROJECTION
1:1	INCH	
TITLE		
DIN RAIL INTERFACE MODULE, RIBBON CABLE TO 5.08MM DUAL LEV. FIXED		
MOLEX INCORPORATED		
DOCUMENT NO.	SHEET NO.	
SD-39170-005	1 OF 1	
THIS DRAWING CONTAINS INFORMATION THAT IS PROPRIETARY TO MOLEX INCORPORATED AND SHOULD NOT BE USED WITHOUT WRITTEN PERMISSION		

ITEM	QTY.	DESCRIPTION	MATERIAL	FINISH
3	2	DIN RAIL ADAPTOR UNIT	THERMOPLASTIC	BLACK
2	1	RIBBON CABLE TO 5.08 FIXED, PC BOARD ASSY.	-	-
1	1	5.08 FIXED DUAL LEVEL BTS	SEE SD-39880-006	BLACK