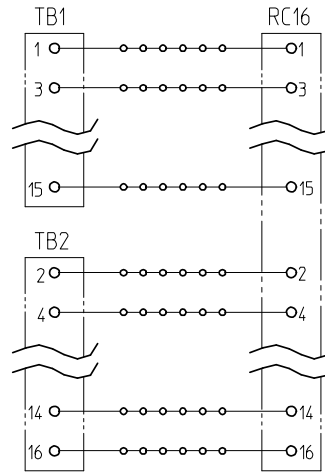
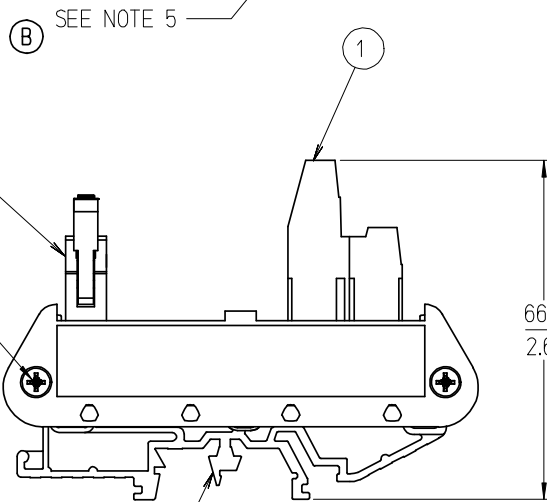


16 POSITION SHOWN



TYPICAL SCHEMATIC
(16 POSITION SHOWN)

NO. OF CIRCUITS	DIM. "A"		MATERIAL NUMBER
14	50.8	[2.00]	39170-1014
16	53.3	[2.10]	39170-1016
20	61.0	[2.40]	39170-1020
26	76.2	[3.00]	39170-1026
34	95.0	[3.74]	39170-1034
40	111.5	[4.39]	39170-1040
50	135.6	[5.34]	39170-1050

NOTES:

- 1. MATERIAL: SEE TABLE
- 2. FINISHES: SEE TABLE
- 3. MATES WITH: RIBBON CABLE
- (B) 4. END CAP MOUNT SCREW TORQUE: 0.5 N-m (4.4 lbf-in) MINIMUM
0.6 N-m (5.3 lbf-in) MAXIMUM
- (B) 5. TERMINAL BLOCK SCREW TORQUE: 0.8 N-m (7.1 lbf-in)
- 6. 39170-1050 IS ROHS COMPLIANT, ALL OTHERS NOT REQUIRED.

ITEM	QTY.	DESCRIPTION	MATERIAL	FINISH
3	2	DIN RAIL ADAPTOR UNIT	THERMOPLASTIC	BLACK
2	1	RIBBON CABLE TO 5.08 FIXED, PC BOARD ASSY.	-	-
1	1	5.08 FIXED DUAL LEVEL BTS	SEE SD-39880-006	BLACK

ADD SCREW TORQUE
EC NO: ETC2007-0331
DRAWN: CLYORK 2007/03/12
CHKD: JMACNEIL 2007/03/14
APPR: JMACNEIL 2007/03/15
DESCRIPTION
REV

QUALITY SYMBOLS
▽=0
▽=0

GENERAL TOLERANCES (UNLESS SPECIFIED)

	mm	INCH
4 PLACES	± ---	± ---
3 PLACES	± ---	± .005
2 PLACES	± 0.13	± .01
1 PLACE	± 0.3	± ---

ANGULAR ± 2 °

DRAFT WHERE APPLICABLE
MUST REMAIN WITHIN DIMENSIONS

DIMENSION STYLE
MM/IN

SCALE 1:1

DESIGN UNITS INCH

THIRD ANGLE PROJECTION

DRAWN BY C. YORK DATE 2004/11/10

CHECKED BY R. STONE DATE 2004/11/16

APPROVED BY G. ROBERTSON DATE 2004/11/16

MATERIAL NO. SEE CHART

SIZE B THIS DRAWING CONTAINS INFORMATION THAT IS PROPRIETARY TO MOLEX INCORPORATED AND SHOULD NOT BE USED WITHOUT WRITTEN PERMISSION

TITLE
DIN RAIL INTERFACE
MODULE, RIBBON CABLE TO
5.08MM DUAL LEV. FIXED

MOLEX MOLEX INCORPORATED

DOCUMENT NO. SD-39170-005 SHEET NO. 1 OF 1