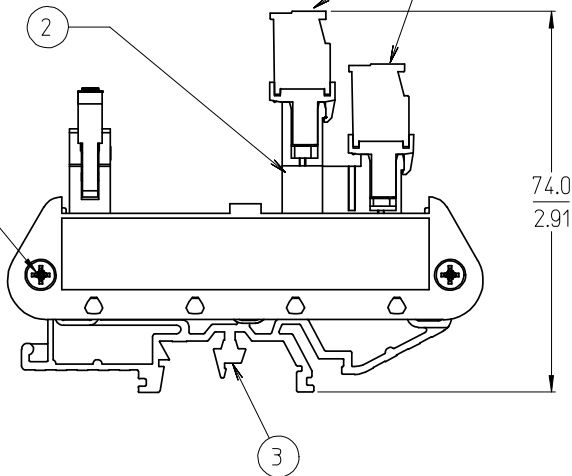
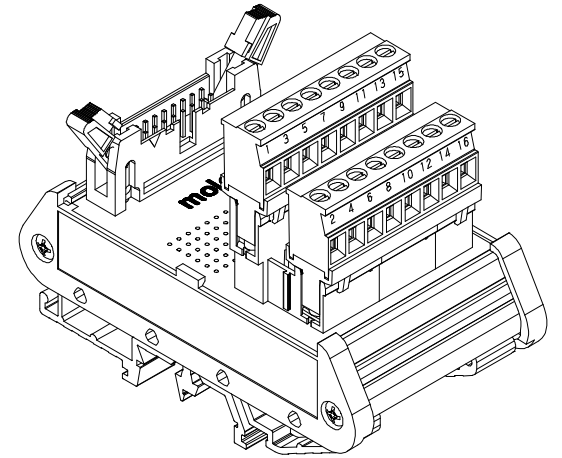


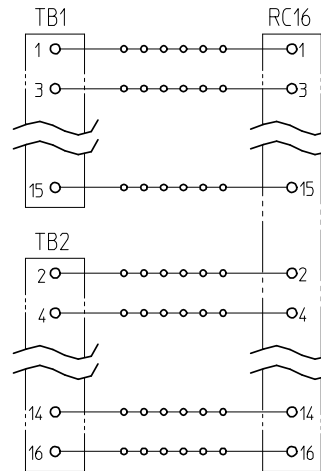
(B) SEE NOTE 5



(B) SEE NOTE 4



16 POSITION SHOWN



TYPICAL SCHEMATIC
(16 POSITION SHOWN)

NO. OF CIRCUITS	DIM. "A"		MATERIAL NUMBER
14	50.8	[2.00]	39170-1114
16	53.3	[2.10]	39170-1116
20	61.0	[2.40]	39170-1120
26	76.2	[3.00]	39170-1126
34	95.0	[3.74]	39170-1134
40	111.5	[4.39]	39170-1140
50	135.6	[5.34]	39170-1150

NOTES:

1. MATERIAL: SEE TABLE
2. FINISHES: SEE TABLE
3. MATES WITH: RIBBON CABLE
- (B) 4. END CAP MOUNT SCREW TORQUE: 0.5 N-m (4.4 lbf-in) MINIMUM
0.6 N-m (5.3 lbf-in) MAXIMUM
- (B) 5. TERMINAL BLOCK SCREW TORQUE: 0.8 N-m (7.1 lbf-in)
6. ASSEMBLY ROHS COMPLIANCE NOT REQUIRED.

ITEM	QTY.	DESCRIPTION	MATERIAL	FINISH
3	2	DIN RAIL ADAPTOR UNIT	THERMOPLASTIC	BLACK
2	1	RIBBON CABLE TO 5.08 HEADER, PC BOARD ASSY.	-	-
1	2	5.08 PLUGGABLE BTS	SEE SD-39860-004	BLACK

ADD SCREW TORQUE
 EC NO: ETC2007-0331
 DRWN: CLYORK 2007/03/12
 CHKD: JMACHEIL 2007/03/14
 APPR: JMACHEIL 2007/03/15

QUALITY SYMBOLS
 ▽=0
 ▽=0

GENERAL TOLERANCES (UNLESS SPECIFIED)

	mm	INCH
4 PLACES	±---	±---
3 PLACES	±---	±.005
2 PLACES	±0.13	±.01
1 PLACE	±0.3	±---

ANGULAR ± 2 °

DRAFT WHERE APPLICABLE
 MUST REMAIN WITHIN DIMENSIONS

DIMENSION STYLE
 MM/IN

DRAWN BY: C. YORK DATE: 2004/11/10
 CHECKED BY: R. STONE DATE: 2004/11/16
 APPROVED BY: G. ROBERTSON DATE: 2004/11/16

SCALE 1:1 DESIGN UNITS INCH THIRD ANGLE PROJECTION

TITLE
 DIN RAIL INTERFACE
 MODULE, RIBBON CABLE TO
 5.08MM VERT EURO PLUG

MATERIAL NO. SEE CHART
 MOLEX INCORPORATED
 DOCUMENT NO. SD-39170-006 SHEET NO. 1 OF 1

THIS DRAWING CONTAINS INFORMATION THAT IS PROPRIETARY TO MOLEX INCORPORATED AND SHOULD NOT BE USED WITHOUT WRITTEN PERMISSION