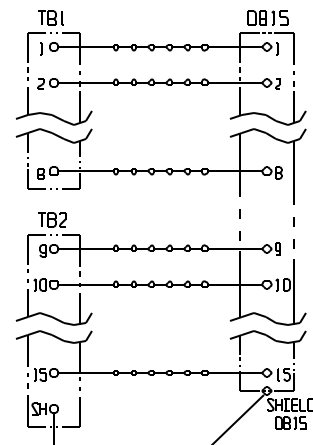
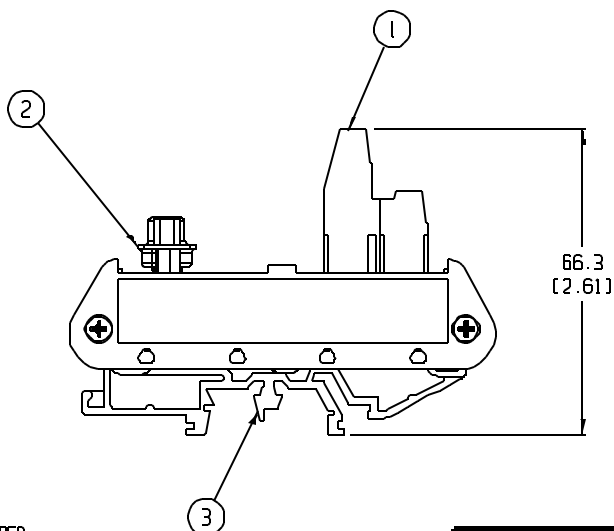


15 POSITION SHOWN



TYPICAL SCHEMATIC
(15 POSITION SHOWN)

NO. OF CIRCUITS	DIM. "A"	MATERIAL NUMBER
09	39.4 [1.55]	39170-3D09
15	54.4 [2.14]	39170-3D15
25	79.8 [3.14]	39170-3D25
37	106.4 [4.19]	39170-3D37

- NOTES:
1. MATERIAL: SEE TABLE
 2. FINISHES: SEE TABLE
 3. PRODUCT SPECIFICATION: NOT REQUIRED
 4. PACKAGING: NOT REQUIRED
 5. MATES WITH: MALE D-SUB

ITEM	QTY.	DESCRIPTION	MATERIAL	FINISH
3	2	DIN RAIL ADAPTOR UNIT	THERMOPLASTIC	BLACK
2	1	FEMALE D-SUB TO 5.08 FIXED, PC BOARD ASSY.	-	-
1	1	5.08 FIXED DUAL LEVEL BTS	SEE SD-39880-006	BLACK

REF. NO. RELEASED DRWN: CLY CH'K: APPR: A	DESCRIPTION MAJOR CRITICAL SPC S	GENERAL TOLERANCES: (UNLESS SPECIFIED)	SCALE: 1:1 DESIGN UNITS: <input type="checkbox"/> mm <input checked="" type="checkbox"/> INCH DRAWN BY & DATE: C. YORK 11-09-04 CHECKED BY & DATE: APPROVED BY & DATE:	PROJECT NO. 05-010 DIMENSIONS: SHT - REV - REVISION ON CAD ONLY
		4 PLACES mm ±.0015 INCH 3 PLACES ±.038 ±.005 2 PLACES ±.13 ±.01 1 PLACE ±.3 ANGULAR: ±2° DRAFT WHERE APPLICABLE MUST REMAIN WITHIN DIMENSIONS	THIRD ANGLE PROJECTION: <input checked="" type="checkbox"/> THIRD ANGLE PROJECTION DIMENSIONS: <input checked="" type="checkbox"/> mm <input type="checkbox"/> INCH <input type="checkbox"/> mm ONLY TITLE: DIN RAIL INTERFACE MODULE, FEMALE D-SUB TO 5.08 FIXED EUROSTYLE TERMINAL BLOCK MOLEX INCORPORATED	CAD FILENAME: SD-39170-002 MATERIAL NO.: SEE CHART DRAWING NO.: SD-39170-002 SHEET NO.: 1 OF 1 SIZE: B

THIS DRAWING CONTAINS INFORMATION THAT IS PROPRIETARY TO MOLEX INCORPORATED AND SHOULD NOT BE USED WITHOUT WRITTEN PERMISSION.