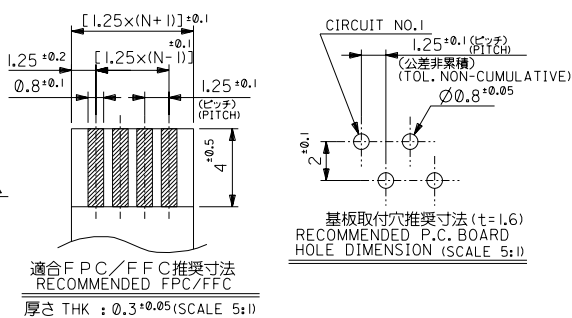
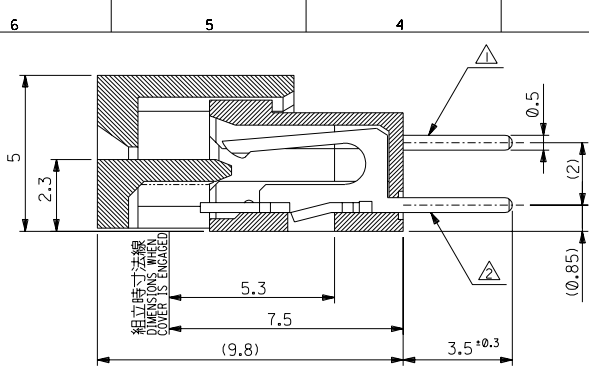
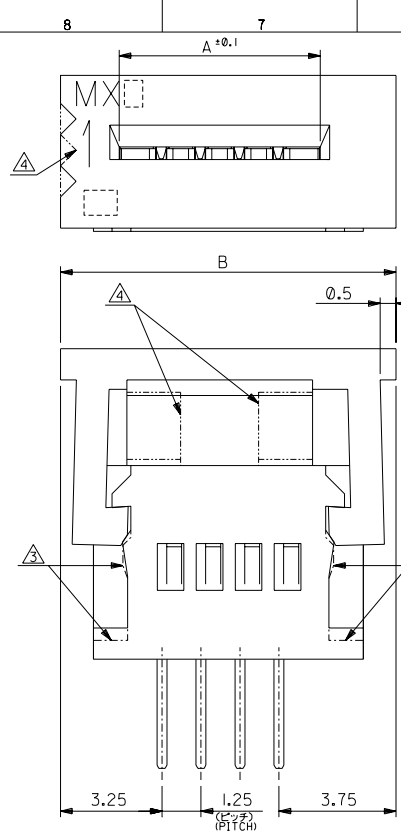


DWG. NO. SD-5597-005



適合FPC/FPC推奨寸法  
RECOMMENDED FPC/FFC  
厚さ THK : 0.3 ± 0.05 (SCALE 5:1)

注記 NOTES

- △ MX J側を基準に奇数番目の極におけるソルダーテール。SOLDER TAIL OF ODD CKTS, MXJ MARK AS BASIC.
- △ MX J側を基準に偶数番目の極におけるソルダーテール。SOLDER TAIL OF EVEN CKTS, MXJ MARK AS BASIC.
- △ 3極~10極に適用。APPLY FOR 3-10 CKTS.
- △ 3極~19極に適用。APPLY FOR 3-19 CKTS.
- 5. ( ) 内寸法は、参考値。  
( ) DIMENSION IS FOR REFERENCE.

6. ソルダーテールは、先端が取付推奨穴にガイドされること。ガイドされること。  
SOLDER TAILS MAY BE CHECKED BY INSERTION FOR RECOMMENDED PCB BOARD HOLES.

48.25	43.95	39-51-3344	5597-34CPB	34
47	42.7	-3334	-33CPB	33
45.75	41.45	-3324	-32CPB	32
44.5	40.2	-3314	-31CPB	31
43.25	38.95	-3304	-30CPB	30
42	37.7	-3294	-29CPB	29
40.75	36.45	-3284	-28CPB	28
39.5	35.2	-3274	-27CPB	27
38.25	33.95	-3264	-26CPB	26
37	32.7	-3254	-25CPB	25
35.75	31.45	-3244	-24CPB	24
34.5	30.2	-3234	-23CPB	23
33.25	28.95	-3224	-22CPB	22
32	27.7	-3214	-21CPB	21
30.75	26.45	-3204	-20CPB	20
29.5	25.2	-3194	-19CPB	19
28.25	23.95	-3184	-18CPB	18
27	22.7	-3174	-17CPB	17
25.75	21.45	-3164	-16CPB	16
24.5	20.2	-3154	-15CPB	15
23.25	18.95	-3144	-14CPB	14
22	17.7	-3134	-13CPB	13
20.75	16.45	-3124	-12CPB	12
19.5	15.2	-3114	-11CPB	11
18.25	13.95	-3104	-10CPB	10
17	12.7	-3094	-09CPB	9
15.75	11.45	-3084	-08CPB	8
14.5	10.2	-3074	-07CPB	7
13.25	8.95	-3064	-06CPB	6
12	7.7	-3054	-05CPB	5
10.75	6.45	-3044	-04CPB	4
9.5	5.2	39-51-3034	5597-03CPB	3
B	A	ENG. NO.	ENG. NO.	極数

DO NOT SCALE DRAWING		E81 INO. DRWN: CHFK: APPR:		E82 INO. DRWN: CHFK: APPR:		E83 INO. DRWN: CHFK: APPR:		E84 INO. DRWN: CHFK: APPR:		E85 INO. DRWN: CHFK: APPR:		E86 INO. DRWN: CHFK: APPR:		E87 INO. DRWN: CHFK: APPR:		E88 INO. DRWN: CHFK: APPR:		E89 INO. DRWN: CHFK: APPR:		E90 INO. DRWN: CHFK: APPR:		E91 INO. DRWN: CHFK: APPR:		E92 INO. DRWN: CHFK: APPR:		E93 INO. DRWN: CHFK: APPR:		E94 INO. DRWN: CHFK: APPR:		E95 INO. DRWN: CHFK: APPR:		E96 INO. DRWN: CHFK: APPR:		E97 INO. DRWN: CHFK: APPR:		E98 INO. DRWN: CHFK: APPR:		E99 INO. DRWN: CHFK: APPR:		E00 INO. DRWN: CHFK: APPR:	
再作図及び変更 REDRAWN & REVISED E80NO. J2003-2624 DRWN: K. TOJO '03/04/17 CHFK: H. SAKAI '03/04/17 APPR: H. SAKAI '03/04/17		MATERIAL HOUSING, ACTUATOR : PBT, UL94V-0 TERMINAL : PHOSPHOR-BRONZE THK : 0.3t		FINISH TIN-LEAD(9:1)3~5MICRON 仕上り METER OVER COPPER 1~2.5 MICRON METER PLATING.		WIRE RANGE 適用電線範囲		INS. RANGE 被覆外径		GENERAL TOLERANCES: (UNLESS SPECIFIED) 一般公差		SCALE		DESIGN UNITS mm INCH		PROJECTION		TITLE: 1.25 FPC Conn Assy ZIF		MATERIAL NO. 39-51-3*3		DRAWING NO. SD-5597-005		SHEET NO. 1 OF 1		SIZE B		EN-02J(097) MXJ-54		SHT		REV		CAD ONLY		CAD ONLY					
REV		DESCRIPTION		ANGLE 角度		DRAWN BY & DATE K. TOJO '03/04/15		CHECKED BY & DATE H. SAKAI '03/04/17		APPROVED BY & DATE H. SAKAI '03/04/17		CAD FILENAME SD-5597-005.S01		MATERIAL NO. 39-51-3*3		DRAWING NO. SD-5597-005		SHEET NO. 1 OF 1		SIZE B		EN-02J(097) MXJ-54		SHT		REV		CAD ONLY		CAD ONLY											