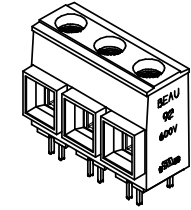
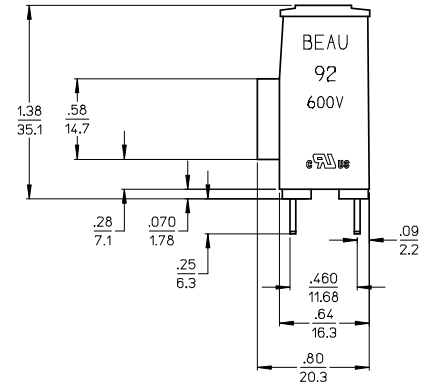
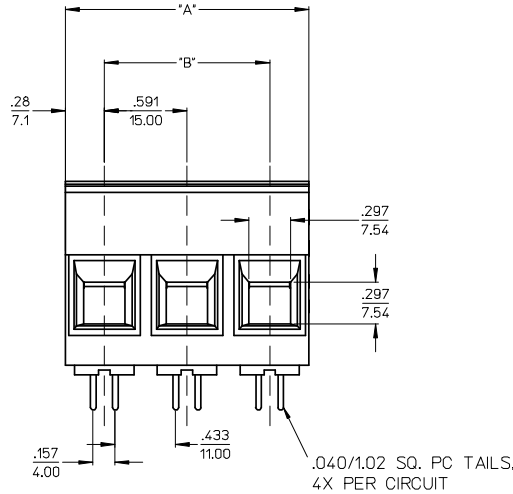
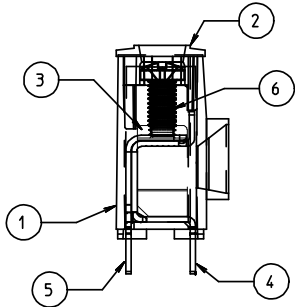
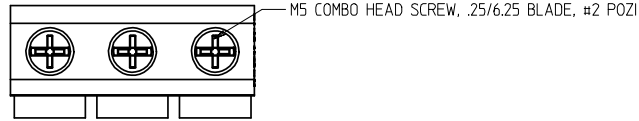
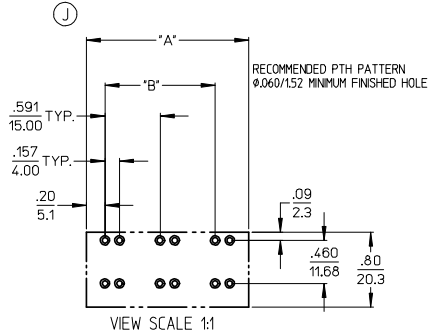


MATERIAL NO. -56 OPTION	ENGINEERING NUMBER	NUMBER OF CIRCUITS	DIM "A" 010/.13	DIM "B"
399200502	920502-56	02	1.150/29.21	.591/15.91
399200503	920503-56	03	1.740/44.20	1.181/30.00
399200504	920504-56	04	2.330/59.18	1.772/45.01
399200505	920505-56	05	2.920/74.17	2.362/59.99
399200506	920506-56	06	3.510/89.15	2.953/75.01
399200507	920507-56	07	4.100/104.14	3.543/89.99
399200508	920508-56	08	4.690/119.13	4.134/105.00
399200509	920509-56	09	5.280/134.11	4.724/119.99
399200510	920510-56	10	5.870/149.10	5.315/135.00
399200511	920511-56	11	6.470/164.43	5.906/150.01
399200512	920512-56	12	7.060/179.32	6.496/165.00



ACTUAL SIZE



- NOTES:
- DESIGNED TO MEET NEC & UL 1059 CLASS C 600 VOLTS
 - "XX" REFERS TO THE NUMBER OF CIRCUIT POSITIONS.

ITEM	QTY.	DESCRIPTION	MATERIAL	FINISH
6	XX	SCREW, M5, #2 POZI-SLOT, ST. STEEL	S.S.	TIN
5	XX	TERMINAL	COPPER	TIN
4	XX	TERMINAL	COPPER	TIN
3	XX	CAGE	BRASS	NICKEL
2	1	COVER	THERMOPLASTIC	BLACK
1	1	BODY	THERMOPLASTIC	BLACK

REV	DESCRIPTION	QUALITY SYMBOLS
J	REMOVED BRASS OPT EC. NO: ETC2006-0247 DRAWN: ASAYDEH 2006/02/06 CHKD: RSTONE 2006/02/07 APPR: RBEROSS 2006/02/09	= 0 = 0

GENERAL TOLERANCES (UNLESS SPECIFIED)		DIMENSION STYLE		SCALE	DESIGN UNITS	THIRD ANGLE PROJECTION	
		IN/MM		4:1	INCH		
4 PLACES	± .0002	mm	INCH	DRAWN BY	DATE	TITLE	
3 PLACES	± 0.003			GHR	00/02/03	SR, BTS, #3AWG 85A, 600V	
2 PLACES	± 0.13			CHECKED BY	DATE	MOLEX INCORPORATED	
1 PLACE	± 0.3			RKEMP	00/12/11	DOCUMENT NO.	
ANGULAR ± 1/2°				APPROVED BY	DATE	SD-39920-005	
DRAFT WHERE APPLICABLE MUST REMAIN WITHIN DIMENSIONS		SEE CHART		LROTHAUS	01/05/10	SHEET NO. 1 OF 1	
THIS DRAWING CONTAINS INFORMATION THAT IS PROPRIETARY TO MOLEX INCORPORATED AND SHOULD NOT BE USED WITHOUT WRITTEN PERMISSION							