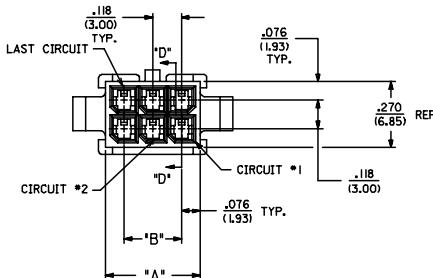
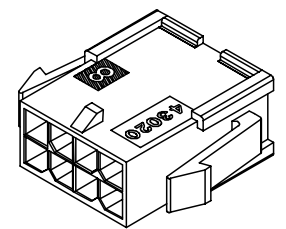


| ASSEMBLY ITEM NUMBER | PART CHARACTERISTICS |                    |
|----------------------|----------------------|--------------------|
|                      | NUMBER OF POSITION   | PANEL MOUNT OPTION |
| 43020-0200           | 02                   | YES                |
| 43020-0201           | 02                   | NO                 |
| 43020-0400           | 04                   | YES                |
| 43020-0401           | 04                   | NO                 |
| 43020-0600           | 06                   | YES                |
| 43020-0601           | 06                   | NO                 |
| 43020-0800           | 08                   | YES                |
| 43020-0801           | 08                   | NO                 |
| 43020-1000           | 10                   | YES                |
| 43020-1001           | 10                   | NO                 |
| 43020-1200           | 12                   | YES                |
| 43020-1201           | 12                   | NO                 |
| 43020-1400           | 14                   | YES                |
| 43020-1401           | 14                   | NO                 |
| 43020-1600           | 16                   | YES                |
| 43020-1601           | 16                   | NO                 |
| 43020-1800           | 18                   | YES                |
| 43020-1801           | 18                   | NO                 |
| 43020-2000           | 20                   | YES                |
| 43020-2001           | 20                   | NO                 |
| 43020-2200           | 22                   | YES                |
| 43020-2201           | 22                   | NO                 |
| 43020-2400           | 24                   | YES                |
| 43020-2401           | 24                   | NO                 |

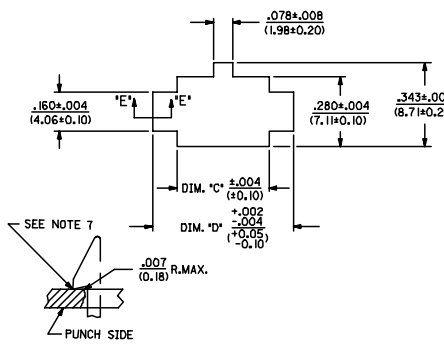
| CKT. NO. | DIM. 'A'      | DIM. 'B'      | DIM. 'C'      | DIM. 'D'      |
|----------|---------------|---------------|---------------|---------------|
| 2        | .152/(3.86)   | N/A           | .166/(4.21)   | .311/(7.90)   |
| 4        | .270/(6.85)   | .118/(3.00)   | .284/(7.21)   | .429/(10.90)  |
| 6        | .388/(9.85)   | .236/(6.00)   | .402/(10.21)  | .547/(13.89)  |
| 8        | .506/(12.85)  | .354/(9.00)   | .520/(13.21)  | .665/(16.89)  |
| 10       | .624/(15.85)  | .472/(12.00)  | .638/(16.21)  | .783/(19.89)  |
| 12       | .742/(18.85)  | .591/(15.00)  | .756/(19.21)  | .901/(22.89)  |
| 14       | .860/(21.85)  | .709/(18.00)  | .874/(22.21)  | 1.019/(25.88) |
| 16       | .978/(24.85)  | .827/(21.00)  | .992/(25.21)  | 1.137/(28.88) |
| 18       | 1.096/(27.85) | .945/(24.00)  | 1.110/(28.21) | 1.255/(31.88) |
| 20       | 1.215/(30.85) | 1.063/(27.00) | 1.229/(31.21) | 1.373/(34.87) |
| 22       | 1.333/(33.85) | 1.181/(30.00) | 1.347/(34.21) | 1.491/(37.87) |
| 24       | 1.451/(36.85) | 1.299/(33.00) | 1.465/(37.21) | 1.609/(40.87) |



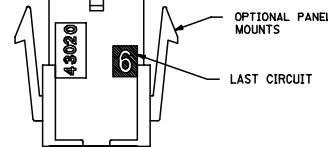
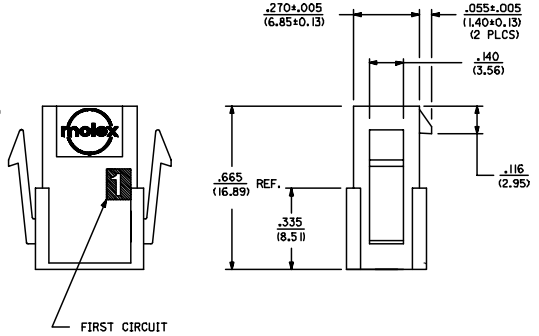
- NOTES:
- 1) HOUSING MATERIAL: UNFILLED POLYESTER (PBT), UL 94V-0  
COLOR - BLACK
  - 2) PRODUCT SPECIFICATION: PS-43045
  - 3) THIS HOUSING MATES WITH MICRO-FIT RECEPTACLE #43025-\*\*\*\*\*
  - 4) THIS HOUSING TO BE USED WITH MOLEX MALE TERMINAL #43031-\*\*\*\*\*
  - 5) DESIGNED FOR .055(1.4) MINIMUM TO A .100(2.54) MAXIMUM THICK PANEL OR PRINTED CIRCUIT BOARD.
  - 6) SEE SECTION "D"- "D" FOR TERMINAL ORIENTATION IN HOUSING.
  - 7) PANEL MOUNT FEATURES MUST LOCK ON SIDE OPPOSITE PUNCH SIDE FOR OPTIMUM RETENTION.



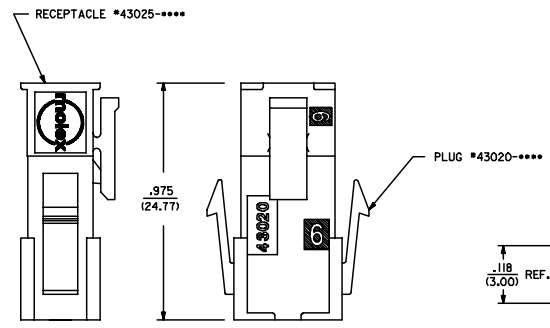
PLUG WITH OPTIONAL  
PANEL MOUNTS  
ISO VIEW  
(8 CIRCUIT SHOWN)



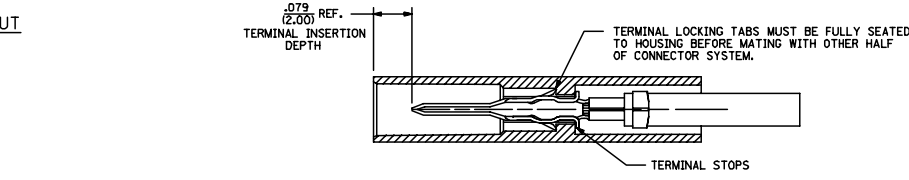
SECTION "E"- "E"  
(NO SCALE)



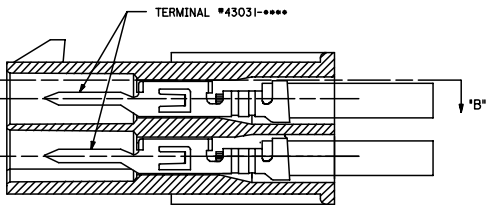
RECOMMENDED PANEL CUT-OUT



MATED MICRO-FIT CONNECTOR



SECTION "B"- "B"



SECTION "D"- "D"  
WITH TERMINAL  
SCALE 8X

| QUALITY SYMBOLS | GENERAL TOLERANCES (UNLESS SPECIFIED) |        | DIMENSION STYLE |            | SCALE | DESIGN UNITS | THIRD ANGLE PROJECTION   |
|-----------------|---------------------------------------|--------|-----------------|------------|-------|--------------|--|
|                 | mm                                    | INCH   | IN/MM           | DATE       |       |              |  |
| ▽=0             | 4 PLACES ± .010                       | ± .010 | DRAWN BY        | 1993/01/07 | 4:1   | METRIC       | MICRO-FIT(3.0) 2 THRU 24 CIRCUIT PLUG WITH OPTIONAL PANEL MOUNTS |
| ▽=0             | 3 PLACES ± .025                       | ± .014 | CHECKED BY      | 1993/01/07 |       |              |  |
|                 | 2 PLACES ± 0.35                       | ± .014 | APPROVED BY     | DATE       |       |              | MATERIAL NO.   |
|                 | 1 PLACE ± 0.35                        | ± .014 | RAS             | 1993/01/07 |       |              | DOCUMENT NO.   |
|                 | ANGULAR ±1/2°                         |        |                 |            |       |              | SDA-43020-*****  |
|                 |                                       |        |                 |            |       |              | SHEET NO.  |
|                 |                                       |        |                 |            |       |              | 1 OF 1   |

UPDATED NOTES  
EC NO: UCP2006-0610  
DRAWN BY: 2005/12/15  
CHKD BY: 2005/12/16  
APPR BY: 2005/12/16

DRAFT WHERE APPLICABLE  
MUST REMAIN WITHIN DIMENSIONS

SEE CHART  
SIZE D

THIS DRAWING CONTAINS INFORMATION THAT IS PROPRIETARY TO MOLEX INCORPORATED AND SHOULD NOT BE USED WITHOUT WRITTEN PERMISSION