

## FEATURES AND SPECIFICATIONS

### Features and Benefits

- 4 points of contact for optimum reliability
- Box-type spring contact for high normal force
- Locking tang secures terminal in housing

### Reference Information

Product Specification: PS-43045/PS-43650  
 Packaging: Bag or reel  
 UL File No.: E29179  
 CSA File No.: LR19980  
 TUV License No.: R95107  
 Use With: 43025 and 43645 receptacles  
 Designed In: Millimeters

### Electrical

Voltage: 250V  
 Current: 5.0A max.  
 Contact Resistance: 10mΩ max.

### Mechanical

Contact Insertion Force: 1.5kgf max. (3.30 lb)  
 Contact Retention to Housing: 2.5kgf min. (5.50 lb)  
 Crimping Pull-Out Force:

Wire Gauge (AWG)	Kgf min. (lb)
20	6.0 (13.2)
22	4.5 (9.9)
24	3.6 (7.9)
26	2.7 (5.9)
28	1.8 (3.9)
30	1.4 (3.0)

Mating Force: 1.0kgf max. (2.2 lb) per contact

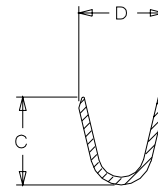
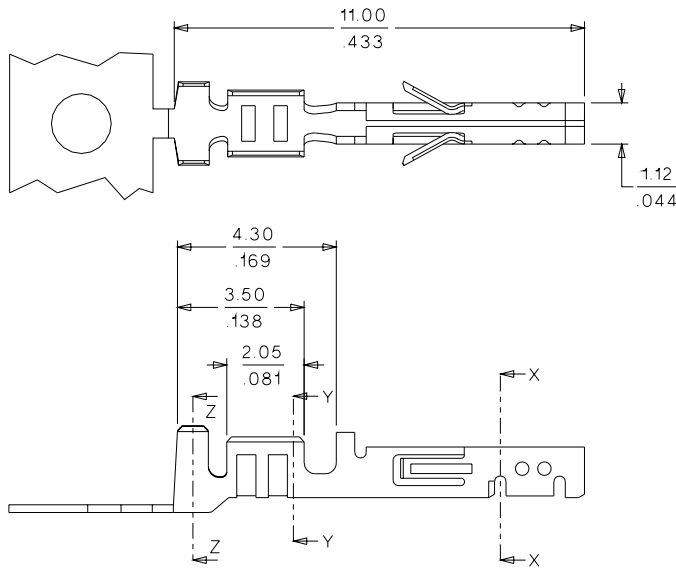
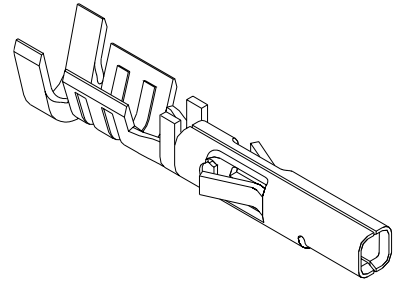
Normal Force: 375gf max. (0.32 lb)

### Physical

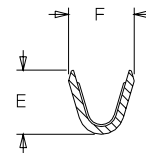
Contact: Phosphor Bronze  
 Plating: Tin or Gold

# molex® 3.00mm (.118") Pitch Micro-Fit 3.0™ Terminal

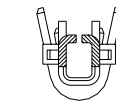
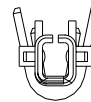
## 43030 Female



SECTION Z-Z



SECTION Y-Y



SECTION X-X

## ORDERING INFORMATION AND DIMENSIONS

Wire Size AWG	Plating	Order No.		Dimension			
		Reel	Bag	C	D	E	F
20-24	Tin	• 43030-0001	• 43030-0007	2.29 (.090)	2.54 (.100)	1.91 (.075)	2.08 (.082)
26-30	Tin	• 43030-0004	• 43030-0010	1.91 (.075)	2.10 (.083)	1.47 (.058)	1.65 (.065)
20-24	15µm Gold	• 43030-0002	• 43030-0008	2.29 (.090)	2.54 (.100)	1.91 (.075)	2.08 (.082)
26-30	15µm Gold	• 43030-0005	• 43030-0011	1.91 (.075)	2.10 (.083)	1.47 (.058)	1.65 (.065)
20-24	30µm Gold	• 43030-0003	• 43030-0009	2.29 (.090)	2.54 (.100)	1.91 (.075)	2.08 (.082)
26-30	30µm Gold	• 43030-0006	• 43030-0012	1.91 (.075)	2.10 (.083)	1.47 (.058)	1.65 (.065)

• US Standard Product, available through Molex franchised distributors