

Distributed by:

JAMECO[®]
ELECTRONICS

www.Jameco.com ♦ 1-800-831-4242

The content and copyrights of the attached
material are the property of its owner.

Jameco Part Number 883237

FEATURES AND SPECIFICATIONS

Features and Benefits

- Box-type spring contact for high normal force
- Locking tang secures terminal in housing

Reference Information

Product Specification: PS-43045/PS-43650
 Packaging: Bag or reel
 UL File No.: E29179
 CSA File No.: LR19980
 TUV License No.: R95107
 Use With: [43020](#) and [43640](#) plugs
 Designed In: Millimeters

Electrical

Voltage: 250V
 Current: 5.0A max.
 Contact Resistance: 10mΩ max.

Mechanical

Contact Insertion Force: 1.5kgf max. (3.30 lb)
 Contact Retention to Housing: 2.5kgf min. (5.50 lb)
 Crimping Pull-Out Force:

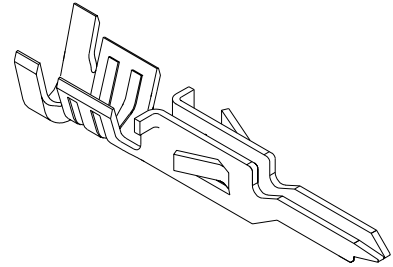
Wire Gauge	Kgf min. (lb)
20	6.0 (13.2)
22	4.5 (9.9)
24	3.6 (7.9)
26	2.7 (5.9)
28	1.8 (3.9)
30	1.4 (3.0)

Physical

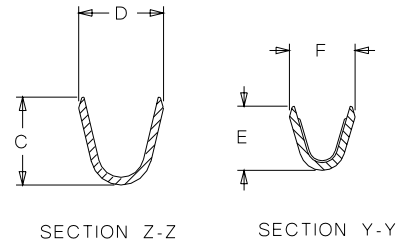
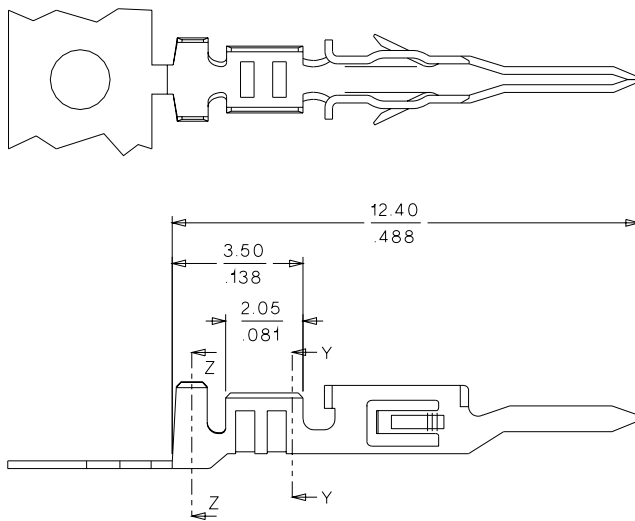
Contact: Phosphor Bronze
 Plating: Tin or Gold

molex® 3.00mm (.118") Pitch
Micro-Fit 3.0™
Terminal

43031
Male



CATALOG DRAWING (FOR REFERENCE ONLY)



ORDERING INFORMATION AND DIMENSIONS

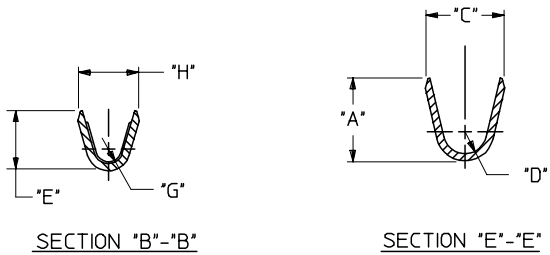
Wire Size AWG	Plating	Order No.		Dimension			
		Reel	Bag	C	D	E	F
20-24	Tin	• 43031-0001	• 43031-0007	2.29 (.090)	2.54 (.100)	1.91 (.075)	2.08 (.082)
26-30	Tin	• 43031-0004	• 43031-0010	1.91 (.075)	2.10 (.083)	1.47 (.058)	1.65 (.065)
20-24	15μ" Gold	• 43031-0002	• 43031-0008	2.29 (.090)	2.54 (.100)	1.91 (.075)	2.08 (.082)
26-30	15μ" Gold	• 43031-0005	• 43031-0011	1.91 (.075)	2.10 (.083)	1.47 (.058)	1.65 (.065)
20-24	30μ" Gold	• 43031-0003	• 43031-0009	2.29 (.090)	2.54 (.100)	1.91 (.075)	2.08 (.082)
26-30	30μ" Gold	• 43031-0006	• 43031-0012	1.91 (.075)	2.10 (.083)	1.47 (.058)	1.65 (.065)

• US Standard Product, available through Molex franchised distributors

13 12 11 10 9 8 7 6 5 4 3 2 1

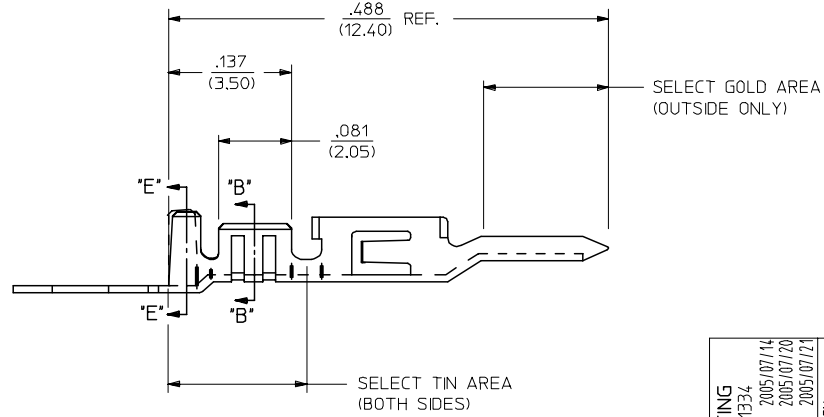
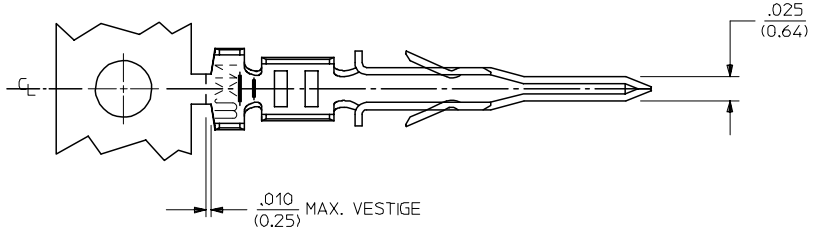
J
I
H
G
F
E
D
C
B
A

J
I
H
G
F
E
D
C
B
A



AWG:	MAX. INSULATION
20-24	.073/(1.85)
26-30	.050/(1.27)

ITEM NUMBER	PLATING OPTION	WIRE SIZE	ASSEMBLY OPTION	'A' ±.016 (±0.41)	'C' ±.012 (±0.30)	'D' ±.005 (±0.13)	'E' ±.016 (±0.41)	'G' ±.005 (±0.13)	'H' ±.012 (±0.30)
43031-0001	A	20-24	CHAIN	.090/(2.29)	.100/(2.54)	.030/(0.76)	R. .075/(1.91)	.025/(0.64)	R. .082/(2.08)
43031-0002	B	20-24	CHAIN	.090/(2.29)	.100/(2.54)	.030/(0.76)	R. .075/(1.91)	.025/(0.64)	R. .082/(2.08)
43031-0003	C	20-24	CHAIN	.090/(2.29)	.100/(2.54)	.030/(0.76)	R. .075/(1.91)	.025/(0.64)	R. .082/(2.08)
43031-0004	A	26-30	CHAIN	.075/(1.91)	.083/(2.10)	.025/(0.64)	R. .058/(1.47)	.020/(0.51)	R. .065/(1.65)
43031-0005	B	26-30	CHAIN	.075/(1.91)	.083/(2.10)	.025/(0.64)	R. .058/(1.47)	.020/(0.51)	R. .065/(1.65)
43031-0006	C	26-30	CHAIN	.075/(1.91)	.083/(2.10)	.025/(0.64)	R. .058/(1.47)	.020/(0.51)	R. .065/(1.65)
43031-0007	A	20-24	LOOSE	.090/(2.29)	.100/(2.54)	.030/(0.76)	R. .075/(1.91)	.025/(0.64)	R. .082/(2.08)
43031-0008	B	20-24	LOOSE	.090/(2.29)	.100/(2.54)	.030/(0.76)	R. .075/(1.91)	.025/(0.64)	R. .082/(2.08)
43031-0009	C	20-24	LOOSE	.090/(2.29)	.100/(2.54)	.030/(0.76)	R. .075/(1.91)	.025/(0.64)	R. .082/(2.08)
43031-0010	A	26-30	LOOSE	.075/(1.91)	.083/(2.10)	.025/(0.64)	R. .058/(1.47)	.020/(0.51)	R. .065/(1.65)
43031-0011	B	26-30	LOOSE	.075/(1.91)	.083/(2.10)	.025/(0.64)	R. .058/(1.47)	.020/(0.51)	R. .065/(1.65)
43031-0012	C	26-30	LOOSE	.075/(1.91)	.083/(2.10)	.025/(0.64)	R. .058/(1.47)	.020/(0.51)	R. .065/(1.65)



- NOTES:**
- MATERIAL : PHOSPHOR BRONZE ALLOY
 - TERMINAL PLATING:
 'A' = HOT TIN DIP: .000040/(0.00102) MIN.
 'B' = .000015/(0.00038) MIN. SELECT GOLD .000100/(0.00254)3 MIN. SELECT TIN OVER .000050/(0.00127) MIN. NICKEL
 'C' = .000030/(0.00076) MIN. SELECT GOLD .000100/(0.00254)3 MIN. SELECT TIN OVER .000050/(0.00127) MIN. NICKEL
 * THE PRIMARY SHIPPING CARTON WILL BE LABELED "COMPLIANT TO RoHS DIRECTIVE 2002/95/EC AND ELV ANNEX II OF DIRECTIVE 2000/53/EC." CARTONS WITHOUT THIS LABEL MAY CONTAIN PRODUCT WITH TIN/LEAD IN THE PC TAIL AREA.
 - PRODUCT SPECIFICATION : PS-43045, PS-43650, PS-44300-001
 - PACKAGING SPECIFICATION: N/A
 - TERMINAL FOR USE IN MICRO FIT PLUG #43020-****.
 - FOR TERMINAL ORIENTATION IN PLUG SEE DRAWING# SDA43020.
 - THIS TERMINAL IS DESIGNED IN METRIC.

CHANGE PLATING EC NO: UCP2005-1334 DRAWN: ROLIS CHKD: SSOUSEK APPR: FSM TH 2005/07/14 2005/07/20 2005/07/21	QUALITY SYMBOLS ▽=0 ▽=0	GENERAL TOLERANCES (UNLESS SPECIFIED)		DIMENSION STYLE IN/MM		SCALE METRIC	DESIGN UNITS METRIC	THIRD ANGLE PROJECTION			
		4 PLACES ± --- ± ---	mm INCH	DRAWN BY MUELLER	DATE 2002/08/13	MICRO-FIT (3.0) MALE TERMINAL					
		3 PLACES ± --- ± .014		CHECKED BY MUELLER	DATE 2002/08/13	MOLEX INCORPORATED					
		2 PLACES ± 0.25 ± .010 1 PLACE ± 0.35 ± --- ANGULAR ±1/2°		APPROVED BY MARGULIS	DATE 2002/08/13	SD-43031-****					
DRAFT WHERE APPLICABLE MUST REMAIN WITHIN DIMENSIONS		SEE CHART		MATERIAL NO.		DOCUMENT NO.		SHEET NO.			
THIS DRAWING CONTAINS INFORMATION THAT IS PROPRIETARY TO MOLEX INCORPORATED AND SHOULD NOT BE USED WITHOUT WRITTEN PERMISSION											

12 11 10 9 8 7 6 5 4 3 2 1