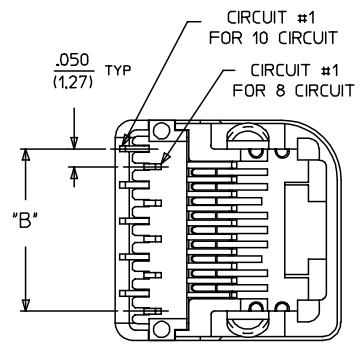
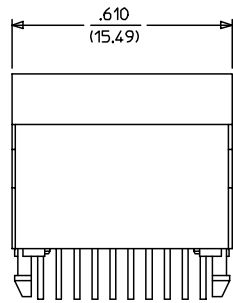
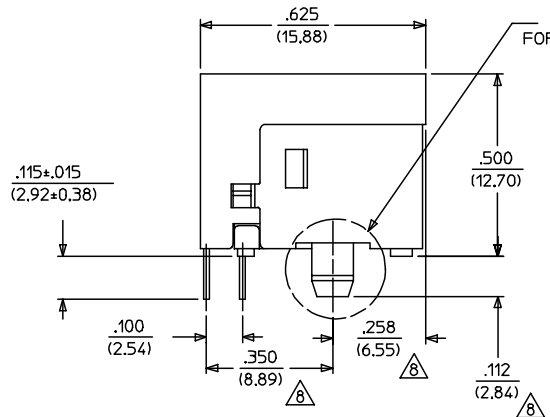
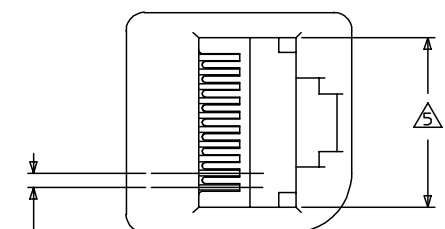


MATERIAL NUMBER	CONNECTOR SIZE	NUMBER OF CIRCUITS	RETENTION PEG OPTION	DIM. "B"
43090-0003	8	8	NO	.350/(8.89)
43090-0004	8	8	YES	.350/(8.89)
43090-0005	8	10	NO	.450/(11.43)
43090-0006	8	10	YES	.450/(11.43)

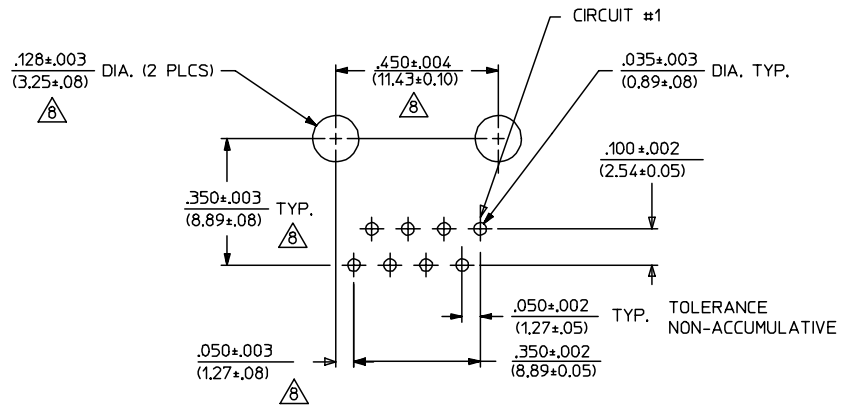


NOTES:

- MATERIALS :  
HOUSING - POLYESTER, GLASS-FILLED, UL94V-0, COLOR - BLACK  
TERMINALS - .015/(0.38) THICK PHOSPHOR BRONZE
- FINISH :  
SELECT GOLD IN CONTACT AREA: 50 MICROINCHES MIN.,  
\*SELECT TIN IN PC TAIL AREA: 100 MICROINCHES MIN.,  
WITH OVERALL NICKEL UNDERPLATE: 50 MICROINCHES MIN.,  
\*THE PRIMARY SHIPPING CARTON WILL BE LABELED "COMPLIANT TO RoHS DIRECTIVE 2002/95/EC AND ELV ANNEX II OF DIRECTIVE 2000/53/EC. CARTONS WITHOUT THIS LABEL MAY CONTAINS TIN-LEAD IN THE PC TAIL.
- PRODUCT SPECIFICATION : PS-42878
- CONNECTORS ARE SHIPPED IN THERMOFORMED TRAYS, PER PACKAGING SPECIFICATION PK-42878-492.
- THIS MODULAR JACK CAVITY CONFORMS TO, AND ACCEPT PLUGS WHICH CONFORM TO, F.C.C. RULES AND REGULATIONS PART 68.5, SUBPART "F".
- THIS MODULAR JACK IS DESIGNED FOR USE WITH .047/(1.19) THICK P.C. BOARDS.
- THIS MODULAR JACK MUST BE CAPABLE OF FITTING INTO MOLEX GAGE G-42410.
- THESE DIMENSIONS APPLY WHEN RETENTION PEG OPTION IS PRESENT.

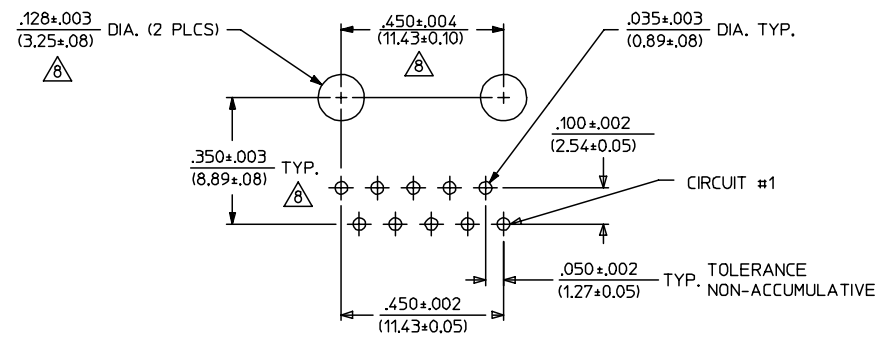
2	E
1	E
SH	REV

LEAD FREE PLATING EC NO: UCP2004-1617 DRW:LSCHMIDT 2004/03/03 CHKD:LSCHMIDT 2004/03/03 APPR:FSMITH 2004/03/03	QUALITY SYMBOLS ▽=0 ▽=0	GENERAL TOLERANCES (UNLESS SPECIFIED)	SCALE 4:1	DESIGN UNITS INCH	THIRD ANGLE PROJECTION	REVISE ON CAD ONLY
		4 PLACES ± --- ± --- 3 PLACES ± --- ± .010 2 PLACES ± 0.25 ± .015 1 PLACE ± 0.38 ± --- ANGULAR ±1/2°	DIMENSION STYLE IN/MM		TITLE	
		DRAFT WHERE APPLICABLE MUST REMAIN WITHIN DIMENSIONS	DRAWN BY MUELLER	DATE 1998/08/10	LOW PROFILE, 8/8 & 8/10 VERTICAL MODJACK W/ .165/(4.20) RADIUS-ASSY	
			CHECKED BY ROBERTS	DATE 1998/08/11	MOLEX INCORPORATED	
			APPROVED BY R EDGLEY	DATE 1998/08/11	MATERIAL NO. SEE CHART	DOCUMENT NO. SDA-43090-****
			THIS DRAWING CONTAINS INFORMATION THAT IS PROPRIETARY TO MOLEX INCORPORATED AND SHOULD NOT BE USED WITHOUT WRITTEN PERMISSION		SHEET NO. 1 OF 2	



RECOMMENDED P.C. BOARD LAYOUT

8 POSITION MODULAR JACK BODY LOADED WITH 8 TERMINALS IS SHOWN ABOVE



RECOMMENDED P.C. BOARD LAYOUT

8 POSITION MODULAR JACK BODY LOADED WITH 10 TERMINALS IS SHOWN ABOVE

SEE SHEET ONE EC NO: UCP2004-1617 DRWN:LSCHMIDT 2004/03/03 CHKD:LSCHMIDT 2004/03/03 APPR:FSMITH 2004/03/03	QUALITY SYMBOLS	GENERAL TOLERANCES (UNLESS SPECIFIED)		SCALE 4:1	DESIGN UNITS INCH	THIRD ANGLE PROJECTION	REVISE ON CAD ONLY
	▼ = 0 ▽ = 0		mm	INCH	DIMENSION STYLE IN/MM		TITLE LOW PROFILE, 8/8 & 8/10 VERTICAL MODJACK W/ .165/(4.20) RADIUS-ASSY MOLEX MOLEX INCORPORATED
		4 PLACES	± .010	± .010	DRAWN BY	DATE	
		3 PLACES	± .015	± .015	MUELLER	1998/08/10	
	2 PLACES	± 0.25	± .015	CHECKED BY	DATE		
	1 PLACE	± 0.38	± .015	ROBERTS	1998/08/11		
		ANGULAR ±1/2°		APPROVED BY	DATE	MATERIAL NO.	DOCUMENT NO.
		DRAFT WHERE APPLICABLE MUST REMAIN WITHIN DIMENSIONS		R EDGLEY	1998/08/11	SEE CHART	SDA-43090-****
				THIS DRAWING CONTAINS INFORMATION THAT IS PROPRIETARY TO MOLEX INCORPORATED AND SHOULD NOT BE USED WITHOUT WRITTEN PERMISSION		SHEET NO.	2 OF 2