

SHIELDED MODULAR JACK SHOWN WITH PANEL GROUND OPTION 'D' AND FRONT PCB GROUND TABS.

NOTES:

- 1) MATERIAL:  
 HOUSING: NYLON(PA), GLASS FILLED, UL94V-0, COLOR: SEE SHEETS 5 AND 6  
 INSULATOR: NYLON(PA), GLASS FILLED, UL94V-0, COLOR: SEE SHEETS 5 AND 6  
 TERMINALS: PHOSPHOR BRONZE, .012/ 0.30 THICK  
 SHIELD: BRASS, .007/ 0.18 THICK
- 2) FINISH:  
 TERMINALS:  
 A = SELECT GOLD IN CONTACT AREA: 50 MICROINCHES / 1.27 MICROMETERS MIN.,  
 \*SELECT TIN IN PC TAIL AREA: 100 MICROINCHES / 2.54 MICROMETERS MIN.,  
 WITH OVERALL NICKEL UNDERPLATE: 50 MICROINCHES / 1.27 MICROMETERS MIN.  
 B = SELECT GOLD IN CONTACT AREA: 30 MICROINCHES / 0.76 MICROMETERS MIN.,  
 \*SELECT TIN IN PC TAIL AREA: 100 MICROINCHES / 2.54 MICROMETERS MIN.,  
 WITH OVERALL NICKEL UNDERPLATE: 50 MICROINCHES / 1.27 MICROMETERS MIN.  
 \*THE PRIMARY SHIPPING CARTON WILL BE LABELED "COMPLIANT TO RoHS DIRECTIVE 2002/95/EC AND ELV ANNEX II OF DIRECTIVE 2000/53/EC".  
 CARTONS WITHOUT THIS LABEL MAY CONTAIN PRODUCT WITH TIN-LEAD IN THE PC TAILS AND/OR SHIELD.
- SHIELD:  
 100 MICROINCHES / 2.54 MICROMETERS NICKEL OVER 50 MICROINCHES / 1.27 MICROMETERS COPPER UNDERPLATE PCB GROUND TABS DIPPED IN TIN
- 3) PRODUCT SPECIFICATION AND PROCESSING PARAMETERS: PS-43202.
- 4) PACKAGING SPECIFICATION:  
 UNSHIELDED CONNECTOR ASSEMBLIES PACKAGED IN THERMOFORMED TRAYS PER MOLEX PACKAGING SPECIFICATION PK-43202-003.  
 UNSHIELDED CONNECTOR ASSEMBLIES PACKAGED IN TUBES PER MOLEX PACKAGING SPECIFICATION PK-43202-005.  
 SHIELDED CONNECTOR ASSEMBLIES PACKAGED IN THERMOFORMED TRAYS PER MOLEX PACKAGING SPECIFICATION PK-43202-004.
- 5) SEE SHEETS 7 - 9 FOR P.C. BOARD LAYOUTS.
- 6) CONFORMS TO FCC REGULATION PART 68.5 FOR MODULAR JACKS.
- 7) THIS PART CONFORMS TO CLASS B REQUIREMENTS OF COSMETIC SPECIFICATION PS-45499-002.

9	L2
8	L2
7	L2
6	L4
5	L
4	K2
3	L1
2	L1
1	L4
SH	REV

DRAWING LEGEND

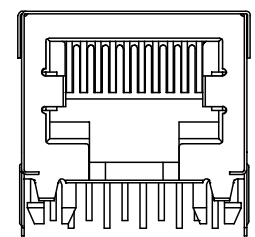
- SHEET 1- NOTES, DRAWING LEGEND
- SHEET 2- SHIELDED MODULAR JACK W/ BOTTOM GROUND TABS
- SHEET 3- SHIELDED MODULAR JACK W/O BOTTOM GROUND TABS
- SHEET 4- UNSHIELDED MODULAR JACK
- SHEET 5- PART NUMBER CHARTS
- SHEET 6- PART NUMBER CHARTS
- SHEET 7- FOOTPRINT LAYOUT FOR 4 POSITION HOUSING
- SHEET 8- FOOTPRINT LAYOUT FOR 6 POSITION HOUSING
- SHEET 9- FOOTPRINT LAYOUT FOR 8 POSITION HOUSING

OBS COLORED JACKS EC NO: UCP2008-1189 DRAWN:JBELL 2007/11/30 CHKD:LSCHMIDT 2008/02/20 APPR:FSM/TH 2008/03/04	QUALITY SYMBOLS	GENERAL TOLERANCES (UNLESS SPECIFIED)	DIMENSION STYLE	SCALE	DESIGN UNITS	THIRD ANGLE PROJECTION	
	▼=0 ▽=0	mm INCH	IN/MM	4:1	INCH		
		4 PLACES ±--- ±--- 3 PLACES ±--- ±.010 2 PLACES ±0.25 ±.014 1 PLACE ±0.36 ±---	DRAWN BY DATE JTR 1993/03/31	TITLE ULTRA LOW PROFILE RIGHT ANGLE MODULAR JACK ASSEMBLY			
		ANGULAR ±1/2°	CHECKED BY DATE JTR 1993/03/31	MOLEX INCORPORATED			
	DRAFT WHERE APPLICABLE MUST REMAIN WITHIN DIMENSIONS	APPROVED BY DATE RAS 1993/03/31	MATERIAL NO.	DOCUMENT NO.	SHEET NO. 1 OF 9		
L4	REV	SEE SHTS 5&6 SDA-43202					
THIS DRAWING CONTAINS INFORMATION THAT IS PROPRIETARY TO MOLEX INCORPORATED AND SHOULD NOT BE USED WITHOUT WRITTEN PERMISSION							

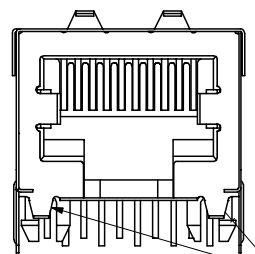
# SHIELDED MODULAR JACK W/BOTTOM GROUND TABS

SIZE 8 LOADED 10 VERSION SHOWN

## SIDE/TOP GROUND TAB OPTIONS FOR SHIELDS



**OPTION "A"**  
NO TOP OR SIDE TABS

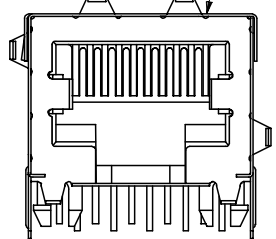


**OPTION "B"**  
TOP TABS

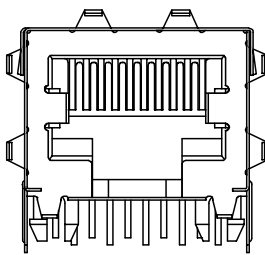
BOTTOM GROUND TABS

OPTIONAL TOP GROUND TABS

SHIELDED MODULAR JACK ASSEMBLY  
SEE SHEET 5 FOR MATERIAL NO.

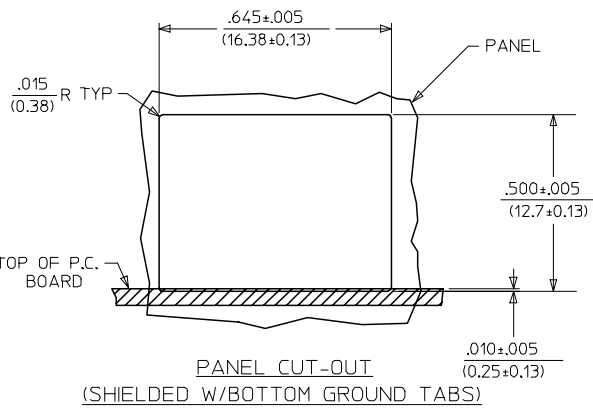
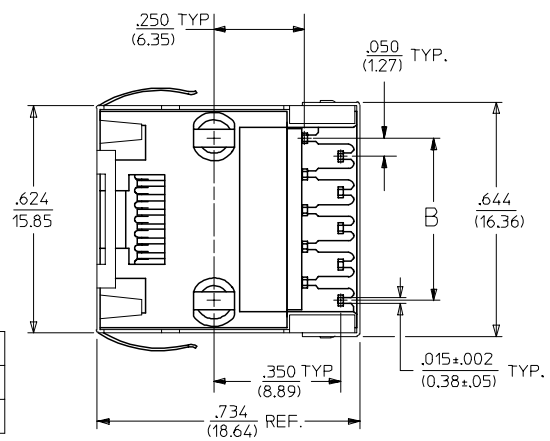
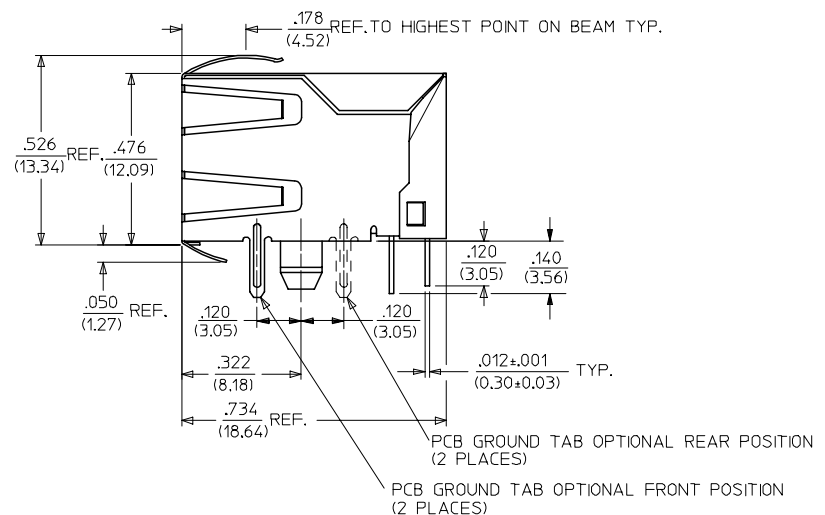


**OPTION "C"**  
TOP AND STAGGERED SIDE TABS



**OPTION "D"**  
TOP AND SIDE TABS

OPTIONAL SIDE GROUND TABS  
(2 PLACES)



HOUSING SIZE	CIRCUIT SIZE	B
8	10	.450±.005 11.43±.13
8	8	.350±.005 8.89±.13

SEE SHEET ONE FC NO: UCP2004-1888 DRWN: LSCHMIDT 2004/03/31 CHKD: LSCHMIDT 2004/03/31 APPR: FSMITH 2004/03/31	QUALITY SYMBOLS -0 -0	GENERAL TOLERANCES (UNLESS SPECIFIED) DIMENSION STYLE IN/MM	SCALE 4:1	DESIGN UNITS INCH	THIRD ANGLE PROJECTION REVISIONS	
	4 PLACES ± --- ± --- 3 PLACES ± --- ± .010 2 PLACES ± 0.25 ± .014 1 PLACE ± 0.36 ± --- ANGULAR ±1/2°	DRAWN BY JTR 1993/03/31	DATE 1993/03/31	TITLE ULTRA LOW PROFILE RIGHT ANGLE MODULAR JACK ASSEMBLY		
	DRAFT WHERE APPLICABLE MUST REMAIN WITHIN DIMENSIONS	CHECKED BY JTR 1993/03/31	DATE 1993/03/31	MOLEX MOLEX INCORPORATED		
	THIS DRAWING CONTAINS INFORMATION THAT IS PROPRIETARY TO MOLEX INCORPORATED AND SHOULD NOT BE USED WITHOUT WRITTEN PERMISSION	APPROVED BY RAS 1993/03/31	DATE 1993/03/31	MATERIAL NO. SEE SHT 5	DOCUMENT NO. SDA-43202	SHEET NO. 2 OF 9

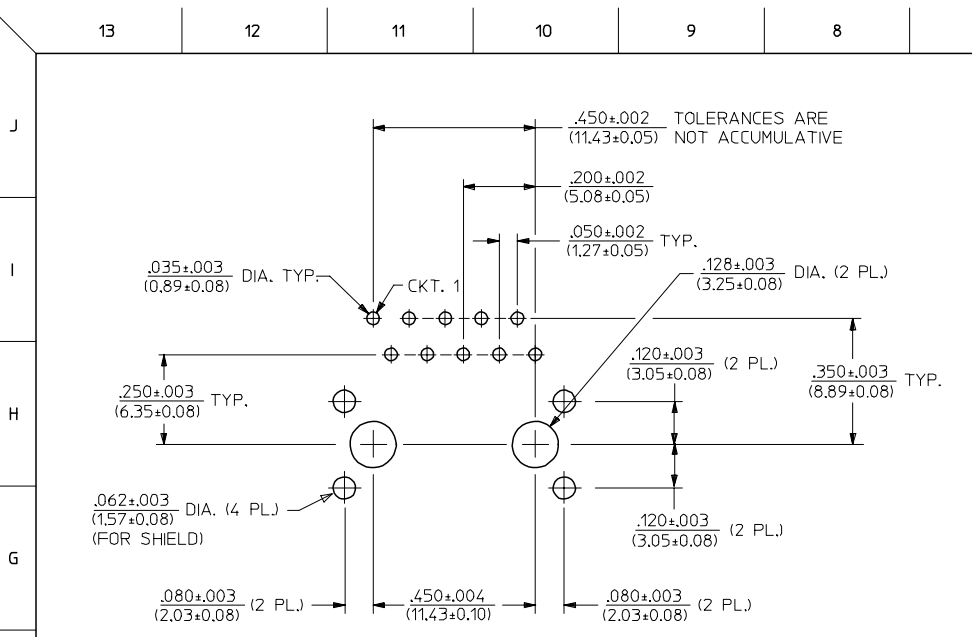
SHIELDED MODULAR JACKS W/BOTTOM GROUND TABS (SHEET 2)

ASSEMBLY MATERIAL NUMBER	CONNECTOR SIZE	NUMBER OF CIRCUITS	SIDE/TOP PANEL GROUND TAB OPTION	PCB GROUND TAB OPTION	TERMINAL PLATING OPTION	PACKAGING OPTION	HOUSING COLOR
43202-8900	8	10	A	FRONT POSITION	A	TRAY	BLACK
43202-8901	8	10	B	FRONT POSITION	A	TRAY	
43202-8902	8	10	C	FRONT POSITION	A	TRAY	
43202-8903	8	10	D	FRONT POSITION	A	TRAY	
43202-8908	8	10	A	REAR POSITION	A	TRAY	
43202-8909	8	10	B	REAR POSITION	A	TRAY	
43202-8910	8	10	C	REAR POSITION	A	TRAY	
43202-8911	8	10	D	REAR POSITION	A	TRAY	
43202-8916	8	8	A	FRONT POSITION	A	TRAY	
43202-8917	8	8	B	FRONT POSITION	A	TRAY	
43202-8918	8	8	C	FRONT POSITION	A	TRAY	
43202-8919	8	8	D	FRONT POSITION	A	TRAY	
43202-8924	8	8	A	REAR POSITION	A	TRAY	
43202-8925	8	8	B	REAR POSITION	A	TRAY	
43202-8926	8	8	C	REAR POSITION	A	TRAY	
43202-8927	8	8	D	REAR POSITION	A	TRAY	

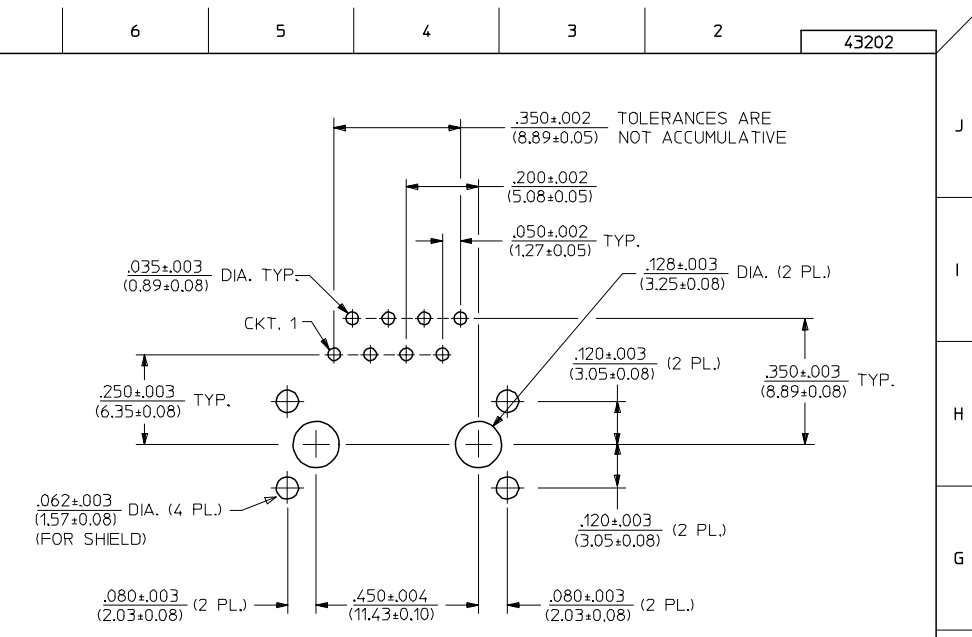
J  
I  
H  
G  
F  
E  
D  
C  
B  
A

J  
I  
H  
G  
F  
E  
D  
C  
B  
A

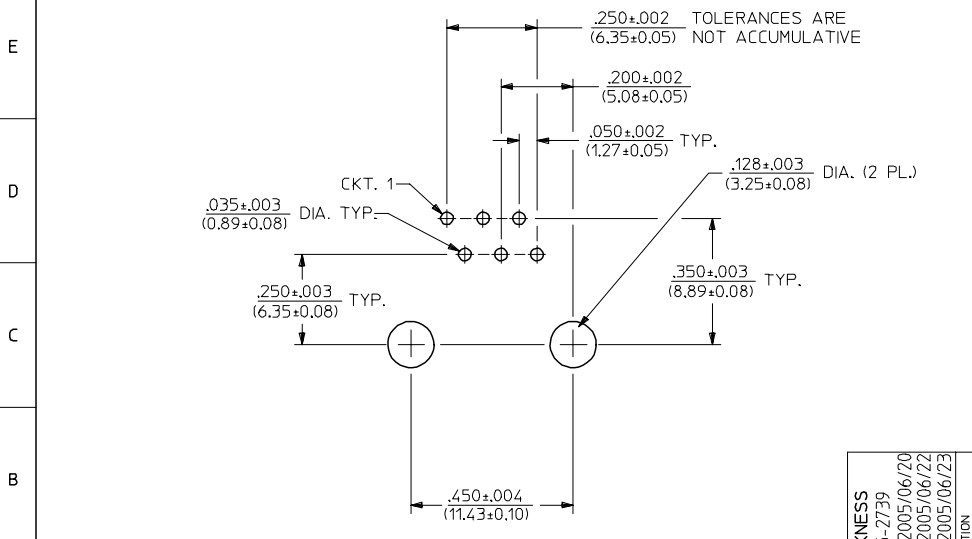
SEE SHEET 1 EC NO: UCP2004-1347 DRWN:MKANARAO004/02/09 CHKD:MKANARAO004/02/09 APPR:BMWKUS 2004/02/10 REV DESCRIPTION	QUALITY SYMBOLS	GENERAL TOLERANCES (UNLESS SPECIFIED)	SCALE 4:1	DESIGN UNITS INCH	THIRD ANGLE PROJECTION	REVISE ON CAD ONLY
		mm INCH	DIMENSION STYLE IN/MM	TITLE		
		4 PLACES ± --- ± ---	DRAWN BY DATE	ULTRA LOW PROFILE RIGHT ANGLE MODULAR JACK ASSEMBLY		
		3 PLACES ± --- ±.010	JTR 1993/03/18			
2 PLACES ± 0.25 ±.014	CHECKED BY DATE	MOLEX INCORPORATED				
1 PLACE ± 0.36 ± ---	JTR 1993/03/18					
	ANGULAR ±1/2°	DRAFT WHERE APPLICABLE MUST REMAIN WITHIN DIMENSIONS	APPROVED BY DATE	MATERIAL NO.	DOCUMENT NO.	SHEET NO.
			RAS 1993/03/18	SEE CHART	SDA-43202	5 OF 9
			THIS DRAWING CONTAINS INFORMATION THAT IS PROPRIETARY TO MOLEX INCORPORATED AND SHOULD NOT BE USED WITHOUT WRITTEN PERMISSION			



PC BOARD LAYOUT FOR 8 POSITION HOUSING  
(10 CIRCUIT FOOTPRINT SHOWN)  
(COMPONENT SIDE OF BOARD)



PC BOARD LAYOUT FOR 8 POSITION HOUSING  
(8 CIRCUIT FOOTPRINT SHOWN)  
(COMPONENT SIDE OF BOARD)



PC BOARD LAYOUT FOR 8 POSITION HOUSING  
(6 CIRCUIT FOOTPRINT SHOWN)  
(COMPONENT SIDE OF BOARD)

NOTES:  
1. RECOMMENDED PCB THICKNESS: .062±.005/(1.57±0.13)

ADD PCB THICKNESS EC NO: UCP2005-2739 DRWN: L.SCHMIDT 2005/06/20 CHKD: ELHAG 2005/06/22 APPR: F.SMITH 2005/06/23 REV: L2	QUALITY SYMBOLS	GENERAL TOLERANCES (UNLESS SPECIFIED)		SCALE 4:1	DESIGN UNITS INCH	THIRD ANGLE PROJECTION	REVISE ON CAD ONLY	
	-0 -0	mm	INCH	DIMENSION STYLE IN/MM		TITLE		
		4 PLACES ± --- ± ---	3 PLACES ± --- ± .010	2 PLACES ± 0.25 ± .014	1 PLACE ± 0.36 ± ---	DRAWN BY L.E.LENZ	DATE 1995/03/09	ULTRA LOW PROFILE RIGHT ANGLE MODULAR JACK ASSEMBLY
		ANGULAR ±1/2°				CHECKED BY JTR	DATE 1995/03/09	
DRAFT WHERE APPLICABLE MUST REMAIN WITHIN DIMENSIONS		APPROVED BY RAS	DATE 1995/03/09	SHEET NO. 9 OF 9		THIS DRAWING CONTAINS INFORMATION THAT IS PROPRIETARY TO MOLEX INCORPORATED AND SHOULD NOT BE USED WITHOUT WRITTEN PERMISSION		