

FEATURES AND SPECIFICATIONS

Features and Benefits

- Fully isolated contacts
- Fully polarized to mating receptacle
- Integral pull tabs for ease in unmating
- Optional panel mount ears

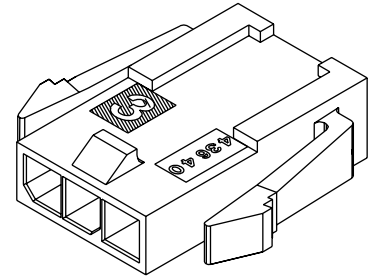
Physical

Housing: Polyester, UL 94V-0
 Contact: Phosphor Bronze
 Plating: Tin or Gold

molex® 3.00mm (.118") Pitch Micro-Fit 3.0™ Wire-to-Wire Plug

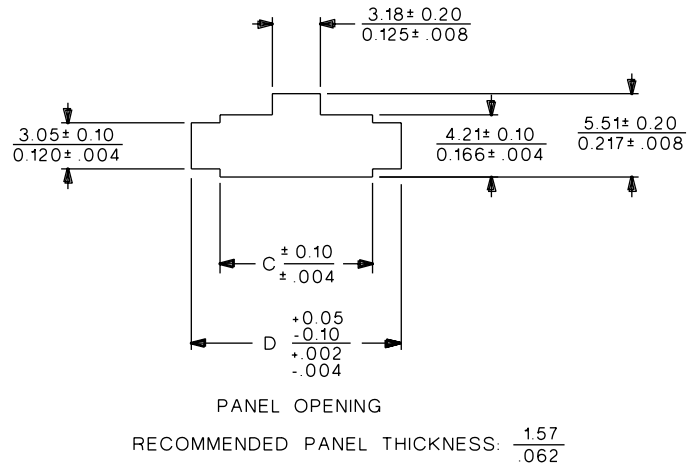
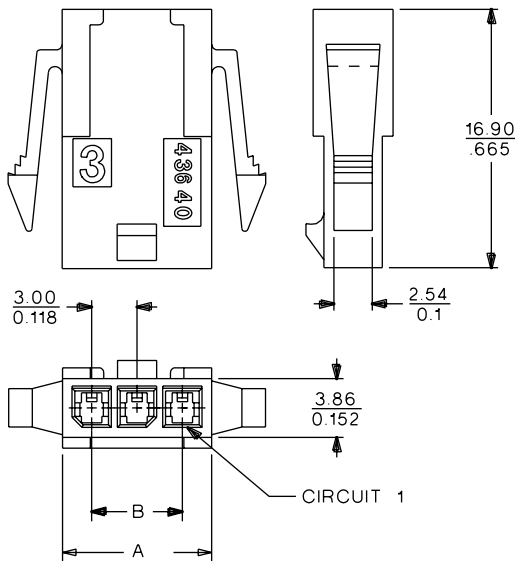
43640

Single Row With or without Panel Mount Ears



Reference Information
 Product Specification: PS-43650
 Packaging: Bag
 UL File No.: E29179
 CSA File No.: LR19980
 TUV License No.: R95107
 Mates With: 43645
 Use With: 43031
 Designed In: Millimeters

PCB and Wire Connectors



ORDERING INFORMATION AND DIMENSIONS

Circuits	Order No.		Dimension			
	Panel Mount	Free Hanging	A	B	C	D
2	43640-0200	43640-0201	6.85 (.270)	3.00 (.118)	7.21 (.284)	10.90 (.429)
3	43640-0300	43640-0301	9.85 (.388)	6.00 (.236)	10.21 (.402)	13.89 (.547)
4	43640-0400	43640-0401	12.85 (.506)	9.00 (.354)	13.21 (.520)	16.89 (.665)
5	43640-0500	43640-0501	15.85 (.624)	12.00 (.472)	16.21 (.638)	19.89 (.783)
6	43640-0600	43640-0601	18.85 (.742)	15.00 (.591)	19.21 (.756)	22.89 (.901)
7	43640-0700	43640-0701	21.85 (.860)	18.00 (.709)	22.20 (.874)	25.88 (1.019)
8	43640-0800	43640-0801	24.85 (.978)	21.00 (.827)	25.20 (.992)	28.88 (1.137)
9	43640-0900	43640-0901	27.85 (1.096)	24.00 (.945)	28.20 (1.110)	31.88 (1.255)
10	43640-1000	43640-1001	30.85 (1.215)	27.00 (1.063)	31.22 (1.229)	34.87 (1.373)
11	43640-1100	43640-1101	33.85 (1.333)	30.00 (1.181)	34.22 (1.347)	37.87 (1.491)
12	43640-1200	43640-1201	36.85 (1.451)	33.00 (1.299)	37.22 (1.465)	40.87 (1.609)