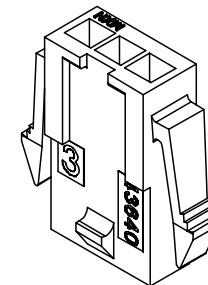


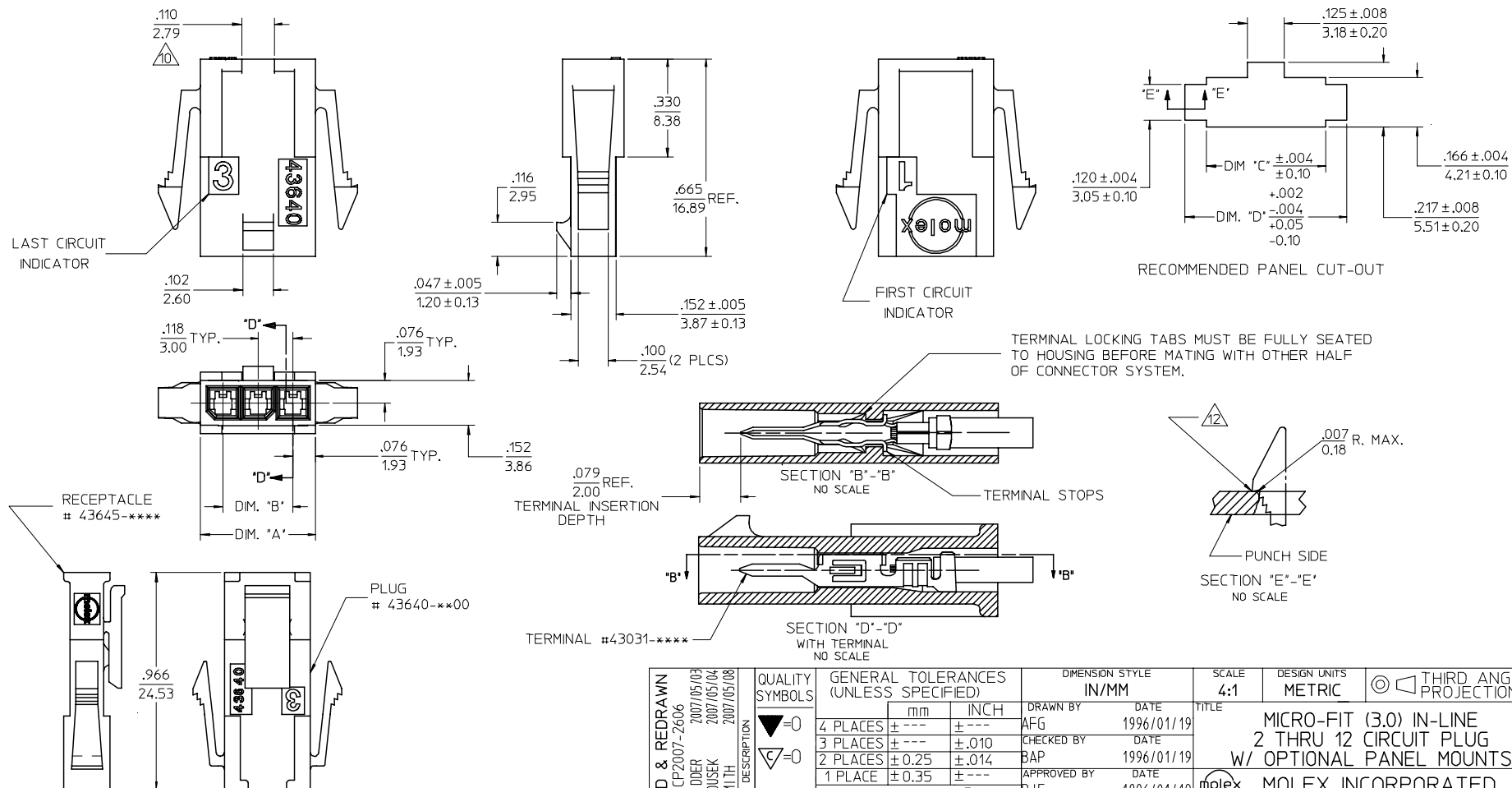
	13	12	11	10	9	8	7	6	5	4	3	2	1
J	X-CONTACT FACTORY	ASSEMBLY ITEM NUMBER	PART CHARACTERISTICS NUMBER OF POSITION	CKT. NO.	DIM. "A"	DIM. "B"	DIM. "C"	DIM. "D"					
				2	.270/6.85	.118/3.00	.284/7.21	.429/10.90					
				3	.388/9.85	.236/6.00	.402/10.21	.547/13.89					
				4	.506/12.85	.354/9.00	.520/13.21	.665/16.89					
				5	.624/15.85	.472/12.00	.638/16.21	.783/19.89					
				6	.742/18.85	.591/15.00	.756/19.21	.901/22.89					
				7	.860/21.85	.709/18.00	.874/22.20	1.019/25.88					
				8	.978/24.85	.872/21.00	.992/25.20	1.137/28.88					
				9	1.096/27.85	.945/24.00	1.110/28.20	1.255/31.88					
				10	1.215/30.85	1.063/27.00	1.229/31.22	1.373/34.87					
				11	1.333/33.85	1.181/30.00	1.347/34.22	1.491/37.87					
				12	1.451/36.85	1.299/33.00	1.465/37.22	1.609/40.87					
I													
X	43640-0200	02											
X	43640-0300	03											
X	43640-0400	04											
X	43640-0500	05											
X	43640-0600	06											
X	43640-0700	07											
X	43640-0800	08											
X	43640-0900	09											
X	43640-1000	10											
X	43640-1100	11											
X	43640-1200	12											

NOTES:

- HOUSING MATERIAL: UNFILLED POLYESTER, RATED UL94V-0  
COLOR IS BLACK
- FINISH: NONE
- PRODUCT SPECIFICATION: PS-43650
- PACKAGING SPECIFICATION: NONE
- THIS HOUSING MATES WITH MICRO-FIT RECEPTACLE #43645-\*\*\*\*.
- THIS HOUSING IS DESIGNED IN METRIC
- THIS HOUSING TO BE USED WITH MOLEX MALE TERMINAL #43031-\*\*\*\*.
- PLUG DESIGNED FOR .062/1.57 TO .090/2.30 THICK STAMPED PANEL OR P.C.BOARD.
- SEE SECTION "D"- "D" FOR TERMINAL ORIENTATION IN HOUSING.
- THIS DIMENSION APPLIES TO PLUG CKT. SIZES 2 THRU 12 ONLY.
- SEE SHEET 2 FOR PLUG WITHOUT PANEL MOUNTS.
- PANEL MOUNT FEATURES MUST LOCK ON SIDE OPPOSITE PUNCH SIDE FOR OPTIMUM RETENTION.
- THIS PART CONFORMS TO CLASS B REQUIREMENTS OF COSMETIC SPECIFICATION PS-45499-002.



PLUG WITH  
PANEL MOUNTS

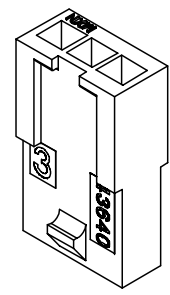
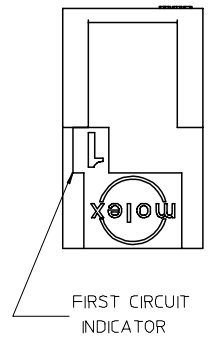
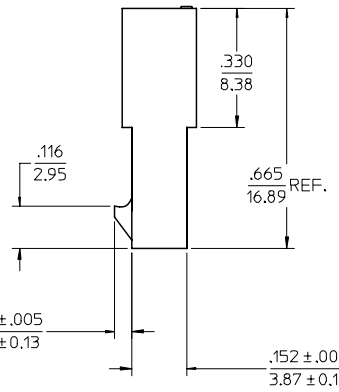
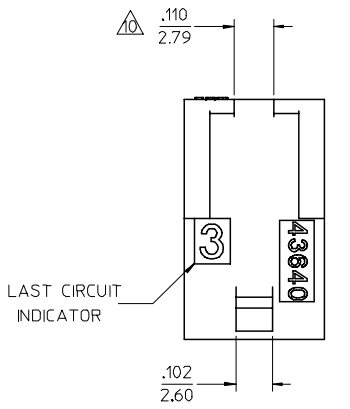


MATED MICRO-FIT CONNECTOR

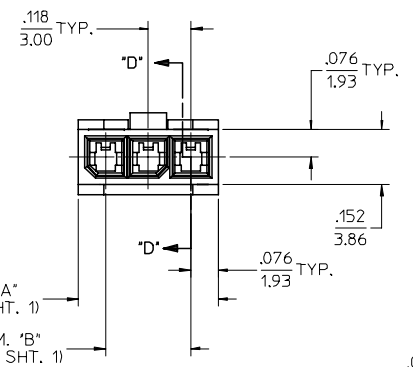
REVISED & REDRAWN EC NO: UCP2007-2606 DRAWN/PRI/DER 2007/05/03 CHKD:SSOUSEK 2007/05/04 APPR:FSM TH 2007/05/08	QUALITY SYMBOLS ▽=0 ▽=0	GENERAL TOLERANCES (UNLESS SPECIFIED)		DIMENSION STYLE		SCALE	DESIGN UNITS	THIRD ANGLE PROJECTION			
		4 PLACES ± --- ± ---	3 PLACES ± --- ± .010	2 PLACES ± 0.25 ± .014	1 PLACE ± 0.35 ± ---	IN/MM		4:1	METRIC	MICRO-FIT (3.0) IN-LINE 2 THRU 12 CIRCUIT PLUG W/ OPTIONAL PANEL MOUNTS	
		ANGULAR ± 5 °		DRAWN BY DATE		CHECKED BY DATE		APPROVED BY DATE		MATERIAL NO.	
				AFG 1996/01/19		BAP 1996/01/19		R/JF 1996/01/19		DOCUMENT NO.	
				SEE CHART						SD-43640-****	
DRAFT WHERE APPLICABLE MUST REMAIN WITHIN DIMENSIONS						THIS DRAWING CONTAINS INFORMATION THAT IS PROPRIETARY TO MOLEX INCORPORATED AND SHOULD NOT BE USED WITHOUT WRITTEN PERMISSION		SHEET NO. 1 OF 2			

13 12 11 10 9 8 7 6 5 4 3 2 1

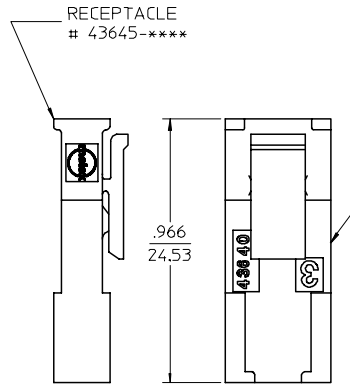
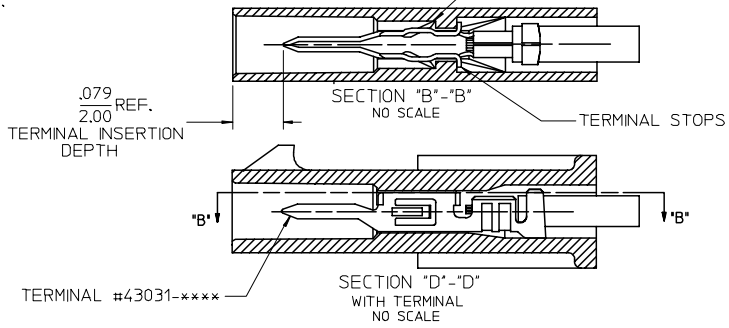
X-CONTACT FACTORY	ASSEMBLY ITEM NUMBER	PART CHARACTERISTICS	
		NUMBER OF POSITION	
	43640-0201	02	
	43640-0301	03	
	43640-0401	04	
	43640-0501	05	
	43640-0601	06	
X	43640-0701	07	
X	43640-0801	08	
X	43640-0901	09	
X	43640-1001	10	
X	43640-1101	11	
X	43640-1201	12	



PLUG WITHOUT PANEL MOUNTS



TERMINAL LOCKING TABS MUST BE FULLY SEATED TO HOUSING BEFORE MATING WITH OTHER HALF OF CONNECTOR SYSTEM.



MATED MICRO-FIT CONNECTOR

REVISED & REDRAWN FC NO: UCP2007-2606 DRAWN: P. RIDER 2007/05/03 CHKD: S. SOUSEK 2007/05/04 APPR: F. SMITH 2007/05/08	QUALITY SYMBOLS ▽=0 ▽=0	GENERAL TOLERANCES (UNLESS SPECIFIED)		DIMENSION STYLE		SCALE	DESIGN UNITS	THIRD ANGLE PROJECTION	
		mm	INCH	IN/MM		4:1	METRIC		
		4 PLACES ± .005	± .005	DRAWN BY	DATE	TITLE MICRO-FIT (3.0) IN-LINE 2 THRU 12 CIRCUIT PLUG W/ OPTIONAL PANEL MOUNTS			
		3 PLACES ± .010	± .010	AFG	1996/01/19				
		2 PLACES ± 0.25	± .014	CHECKED BY	DATE	MATERIAL NO. DOCUMENT NO. SHEET NO. SD-43640-**** 2 OF 2			
		1 PLACE ± 0.35	± .014	BAP	1996/01/19				
		ANGULAR ± 5 °		APPROVED BY	DATE	MOLEX INCORPORATED			
				RJF	1996/01/19				
		DRAFT WHERE APPLICABLE MUST REMAIN WITHIN DIMENSIONS		SEE CHART					
				THIS DRAWING CONTAINS INFORMATION THAT IS PROPRIETARY TO MOLEX INCORPORATED AND SHOULD NOT BE USED WITHOUT WRITTEN PERMISSION					

12 11 10 9 8 7 6 5 4 3 2 1