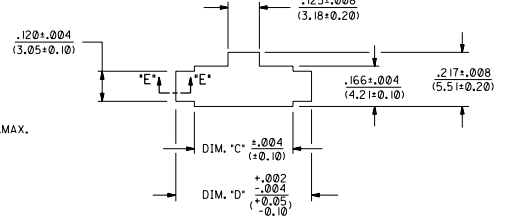
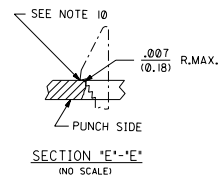
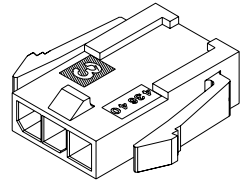


X-CONTACT FACTORY	ASSEMBLY ITEM NUMBER	PART CHARACTERISTICS	
		NUMBER OF POSITION	
	43640-0200	02	
	43640-0300	03	
	43640-0400	04	
	43640-0500	05	
	43640-0600	06	
	43640-0700	07	
	43640-0800	08	
	43640-0900	09	
	43640-1000	10	
	43640-1100	11	
	43640-1200	12	

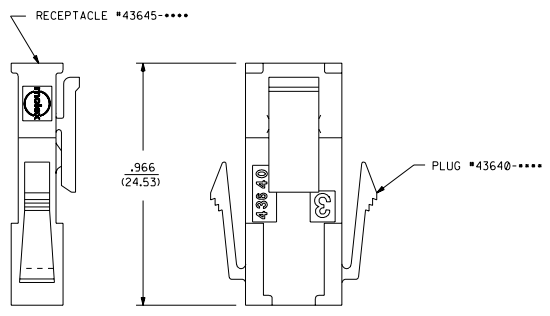
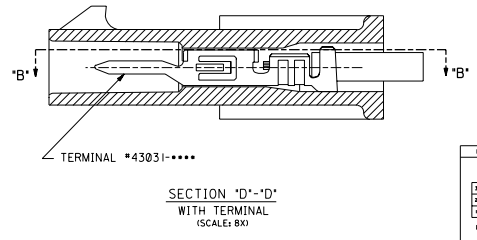
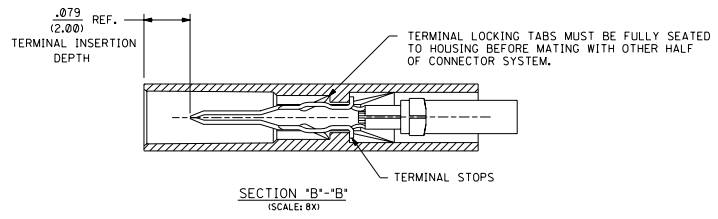
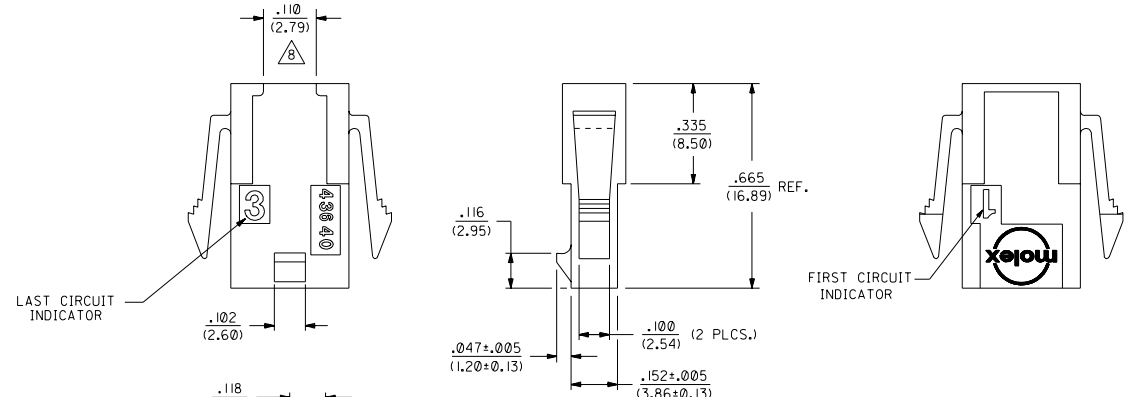
CKT. NO.	DIM. "A"	DIM. "B"	DIM. "C"	DIM. "D"
2	.270/(6.85)	.118/(3.00)	.284/(7.21)	.429/(10.90)
3	.388/(9.85)	.236/(6.00)	.402/(10.21)	.547/(13.89)
4	.506/(12.85)	.354/(9.00)	.520/(13.21)	.665/(16.89)
5	.624/(15.85)	.472/(12.00)	.638/(16.21)	.783/(19.89)
6	.742/(18.85)	.591/(15.00)	.756/(19.21)	.901/(22.89)
7	.860/(21.85)	.709/(18.00)	.874/(22.20)	1.019/(25.88)
8	.978/(24.85)	.827/(21.00)	.992/(25.20)	1.137/(28.88)
9	1.096/(27.85)	.945/(24.00)	1.110/(28.20)	1.255/(31.88)
10	1.215/(30.85)	1.063/(27.00)	1.229/(31.22)	1.373/(34.87)
11	1.333/(33.85)	1.181/(30.00)	1.347/(34.22)	1.491/(37.87)
12	1.451/(36.85)	1.299/(33.00)	1.465/(37.22)	1.609/(40.87)



- NOTES:
- HOUSING MATERIAL: UNFILLED POLYESTER, RATED U.L. 94V-0, COLOR IS BLACK.
 - THIS HOUSING MATES WITH MICRO-FIT RECEPTACLE #43645-****.
 - THIS HOUSING IS DESIGNED IN METRIC.
 - THIS HOUSING TO BE USED WITH MOLEX MALE TERMINAL #43031-****.
 - PLUG DESIGNED FOR .062/(1.57) TO .090/(2.3) THICK STAMPED PANEL OR P.C.BOARD.
 - SEE SECTION "D"-"D" FOR TERMINAL ORIENTATION IN HOUSING.
 - ALL CONNECTORS MUST MEET THE PERFORMANCE REQUIREMENTS OF MOLEX PRODUCT SPECIFICATION #PS-43650.
 - THIS DIMENSION APPLIES TO PLUG CKT. SIZES 3 THRU 12 ONLY.
 - SEE SHEET 2 FOR PLUG WITHOUT PANEL MOUNTS.
 - PANEL MOUNT FEATURES MUST LOCK ON SIDE OPPOSITE PUNCH SIDE FOR OPTIMUM RETENTION.



PLUG WITH PANEL MOUNTS
ISO VIEW



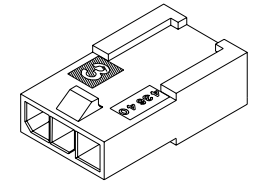
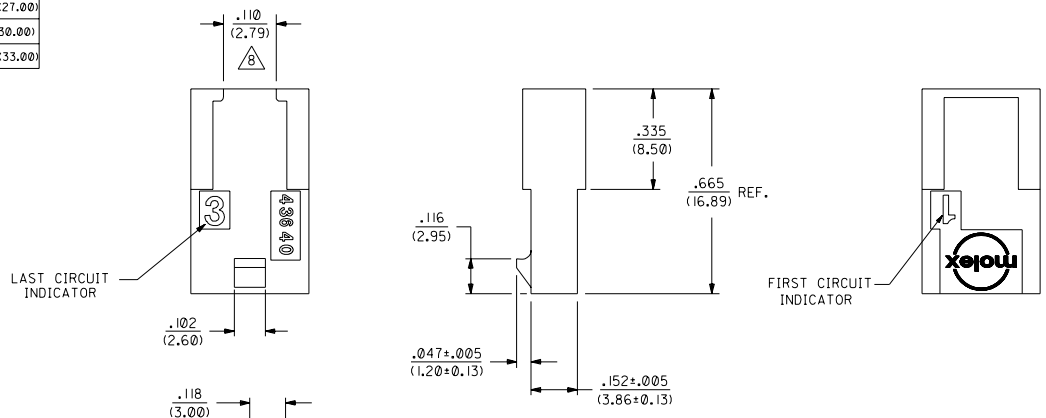
2	E	REV. 110 WAS .174
1	E	LCP 2003-1494
		03/01/00 MUELLER
MFG	SH	REV.
		LTR.
		REVISIONS
REVISE ONLY ON CAD SYSTEM		
TITLE: MICRO FIT (3.0)		
SINGLE ROW PLUG WITH PANEL MOUNT OPTION		
MOLEX INCORPORATED		SHEET NO. 1 OF 2
DATE: 08/02		DATE: 96/01/19
PART NO. SEE CHART		SD-43640-****
DRAWN: AFG		CHKD: BAP
APP'D: RJF		SCALE: 4:1
DIMENSIONS SHOWN METRIC INCH		UNLESS OTHERWISE SPECIFIED
TOLERANCES UNLESS OTHERWISE SPECIFIED		
1 PLUG ± 0.10	INCH	METRIC
2 PLUG ± 0.14	± 0.25	
1 PLUG --- ± 0.35		
DATE: 08/02		
MATERIALS: APPLICABLE MUST BE READY WITH DIMENSIONS		
MOLEX INCORPORATED		
1100 S. CALIFORNIA AVENUE, P.O. BOX 1699, DUBLIN, CA 94568-1699		
MOLEX IS AN ISO 9001 REGISTERED MANUFACTURER		
CP	D	

X-CONTACT FACTORY	ASSEMBLY ITEM NUMBER	PART CHARACTERISTICS NUMBER OF POSITION
	43640-0201	02
	43640-0301	03
	43640-0401	04
	43640-0501	05
	43640-0601	06
X	43640-0701	07
X	43640-0801	08
X	43640-0901	09
X	43640-1001	10
X	43640-1101	11
X	43640-1201	12

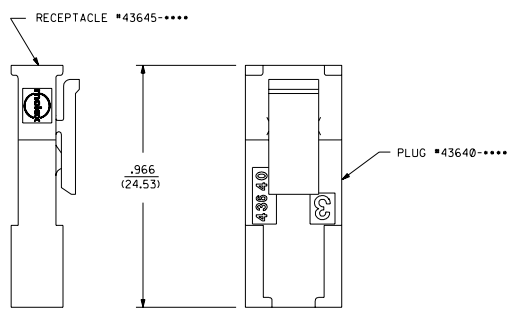
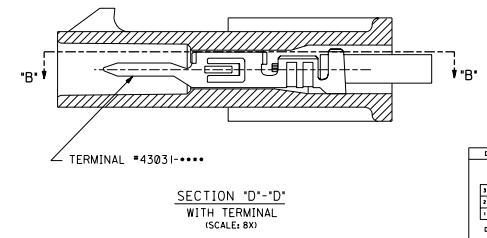
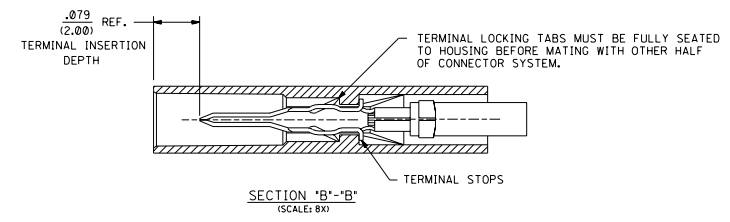
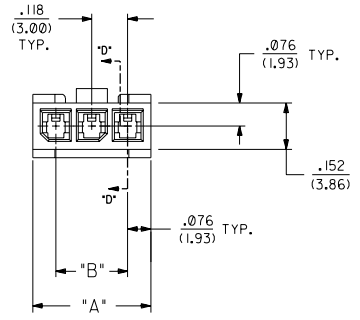
CKT. NO.	DIM. "A"	DIM. "B"
2	.270/(16.85)	.118/(3.00)
3	.388/(19.85)	.236/(6.00)
4	.506/(12.85)	.354/(9.00)
5	.624/(15.85)	.472/(12.00)
6	.742/(18.85)	.591/(15.00)
7	.860/(21.85)	.709/(18.00)
8	.978/(24.85)	.827/(21.00)
9	1.096/(27.85)	.945/(24.00)
10	1.215/(30.85)	1.063/(27.00)
11	1.333/(33.85)	1.181/(30.00)
12	1.451/(36.85)	1.299/(33.00)

NOTES:

- HOUSING MATERIAL: UNFILLED POLYESTER, RATED U.L. 94V-0, COLOR IS BLACK.
- THIS HOUSING MATES WITH MICRO-FIT RECEPTACLE #43645-****.
- THIS HOUSING IS DESIGNED IN METRIC.
- THIS HOUSING TO BE USED WITH MOLEX MALE TERMINAL #43031-****.
- PLUG HAS BEEN DESIGNED FOR .062/(1.57) TO .090/(2.3) THICK P.C. BOARDS.
- SEE SECTION "D"-D' FOR TERMINAL ORIENTATION IN HOUSING.
- ALL CONNECTORS MUST MEET THE PERFORMANCE REQUIREMENTS OF MOLEX PRODUCT SPECIFICATION *PS-43650.
- THIS DIMENSION APPLIES TO PLUG CKT. SIZES 3 THRU 12 ONLY.
- SEE SHEET 1 FOR PLUG WITH PANEL MOUNTS.



PLUG WITHOUT PANEL MOUNTS
ISO VIEW



MATED MICRO-FIT CONNECTOR

DIMENSIONS SHOWN METRIC INCH		UNLESS OTHERWISE SPECIFIED TOLERANCES ARE AS FOLLOWS		REV. LTR.		REVISIONS	
±.010	±.010	±.010	±.010	2	196/01/19		
±.015	±.015	±.015	±.015				
±.025	±.025	±.025	±.025				
±.035	±.035	±.035	±.035				

TITLE: MICRO FIT (3.0) SINGLE ROW PLUG WITHOUT PANEL MOUNT OPTION
 MFG: MOLEX INCORPORATED
 PART NO: 43640
 SHEET NO: 2
 DATE: 196/01/19
 SEE CHART SD-43640-****
 DIMENSIONS SHOWN METRIC INCH UNLESS OTHERWISE SPECIFIED TOLERANCES ARE AS FOLLOWS
 DIM: AFG
 SCALE: 4:1
 APPR: RJF
 DATE: 5/21/82

SEE SHEET 1