

FEATURES AND SPECIFICATIONS

Features and Benefits

- Patented new integral Terminal Position Assurance (TPA) on mated male and female terminal
- Virtually eliminates terminal backout
- Polarized housing assures proper mating
- Terminals are fully isolated in housing
- Positive latch reduces accidental disengagement from receptacle

Reference Information

Product Specification: PS-44441-9999

Packaging: Bag

UL File No.: E29179

CSA File No.: LR19980

Use With: [43178](#) terminal

Mates With: [44441](#) receptacle

Designed In: Inches

Electrical

Voltage: 1000V

Current: 18.0A*

Insulation Resistance: 1000 MΩ min.

Mechanical

Contact Insertion Force: 2 lb max.

Contact Retention to Housing: 20 lb min.

Physical

Housing: Nylon, UL 94V-0

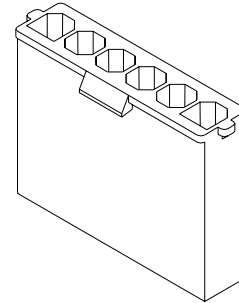
Operating Temperature: -40 to +75°C

* Depending on circuit size and wire gauge. Please refer to product specification.

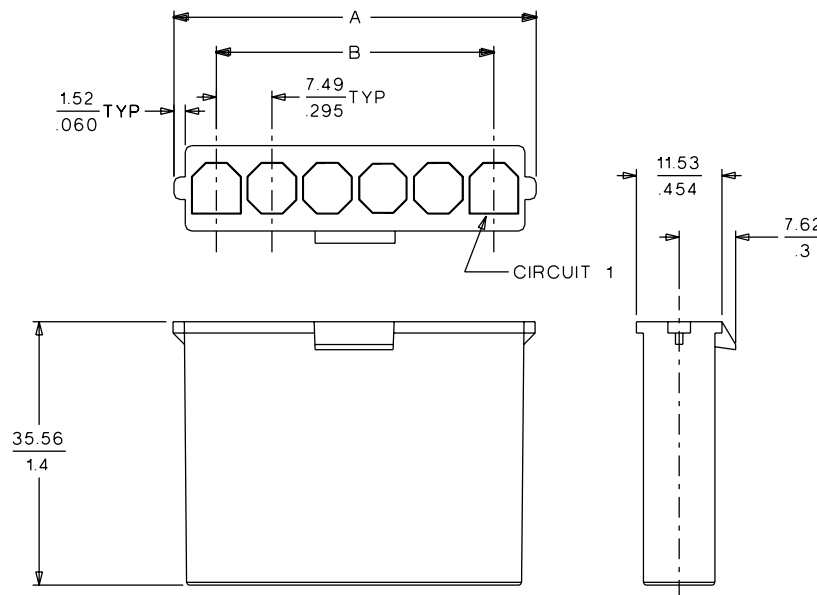
molex® 7.50mm (.295") Pitch Sabre™ Wire-to-Wire Plug

43680

Single Row



CATALOG DRAWING (FOR REFERENCE ONLY)



ORDERING INFORMATION AND DIMENSIONS

Circuits	Order No.	Dimension	
		A	B
2	43680-2002	18.92 (.745)	7.49 (.295)
3	43680-2003	26.42 (1.040)	14.99 (.590)
4	43680-2004	33.91 (1.335)	22.48 (.885)
5	43680-2005	41.40 (1.630)	29.97 (1.180)
6	43680-2006	48.90 (1.925)	37.47 (1.475)