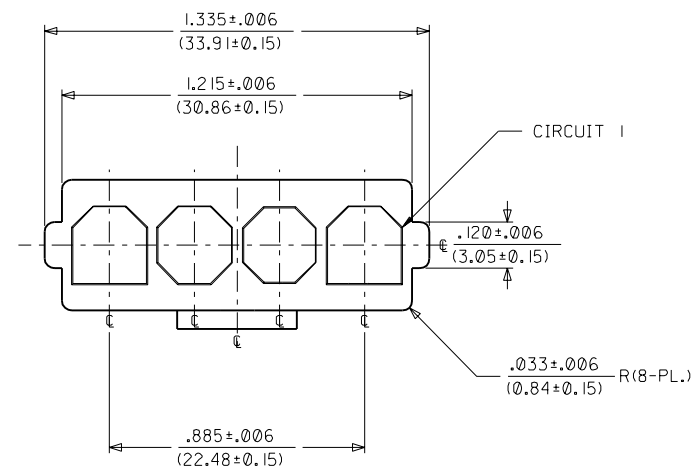
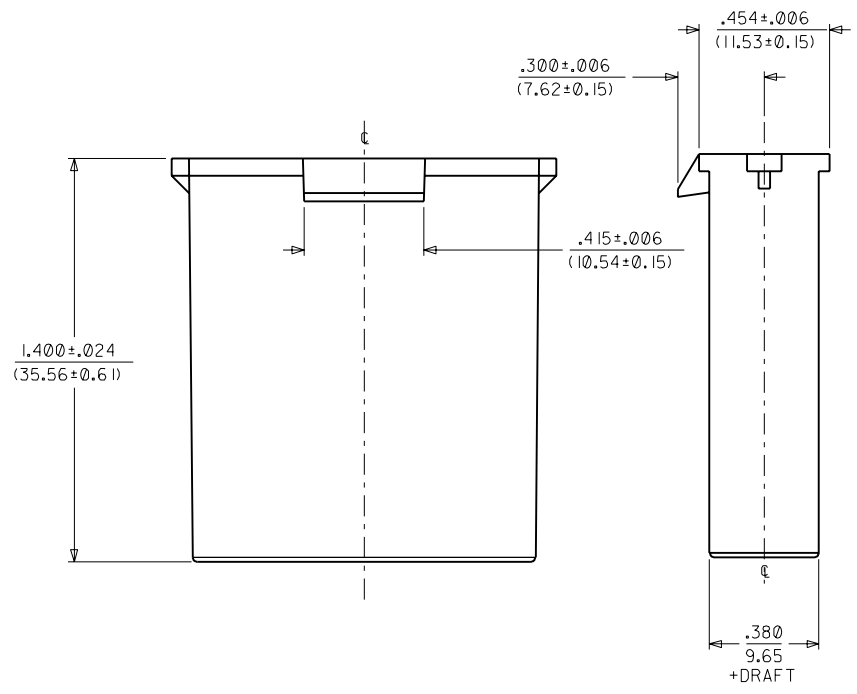


ITEM NUMBER	MATERIAL (SEE NOTE 1)	COLOR
43680-1004	UL94V-2 NYLON	NATURAL
43680-2004	UL94V-0 NYLON	BLACK

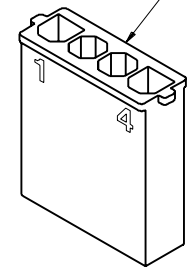


NOTES:

1. MATERIAL: SEE CHART
2. THIS CONNECTOR HOUSING FOR USE WITH 43178-**** TERMINALS.
3. THIS CONNECTOR HOUSING WILL MATE TO 43335-****4, 43179-****4 AND 44441-****4 HOUSINGS.
4. PRODUCT SPECIFICATION: PSX-44441-9999.
5. PACKAGING: PK-43680-001.



LOCKING NUB IS LOCATED HERE



43680-004
(NO SCALE)

REV.	DESCRIPTION
C2	REVISED PER UCR2001-0907 01/05/23 ESOMMER
C1	ADD PART NUMBER UCR2001-0322 00/10/06 SOMMER
C	REVISED PER UCR1999-0340 98/12/01 LENZ
B1	REVISED PER ECN# U71442 97/05/21 KBP
B	REVISED PER ECN# U70564 MARANTO 97/01/15
A1	REVISED PER ECN# U70029 96/07/12 KSM
A	REMOVE 'X' PER ECN# U61159 96/03/22 CM

DIMENSIONS SHOWN (METRIC) INCH		▽ = 0 ▼ = 0		REVISE ONLY ON CAD SYSTEM	
UNLESS OTHERWISE SPECIFIED TOLERANCES ANGULAR ± 1/2°		TITLE			
3 PLACE ± .010 ---		4-CIR PLUG HOUSING			
2 PLACE ± .014 ± 0.25		.125/(3.18) X .020/(0.51)			
1 PLACE --- ± 0.35		SABRE - TPA			
DRAFT WHERE APPLICABLE MUST REMAIN WITHIN DIMENSIONS		MOLEX INCORPORATED		SHEET NO. DATE	
		L15LEJLL 60532		1 OF 1 96/03/22	
DRAWN BY: CM		CHK'D BY: KBP		PART NO. DRWG. NO.	
APP'D BY: RAS		SCALE: 3: 1		SEE CHART SD-43680-004	
		FILE NAME: 543680041		DIV. SIZE	
		D001		CP C	
THIS DRAWING CONTAINS INFORMATION THAT IS PROPRIETARY TO MOLEX INC. AND SHOULD NOT BE USED WITHOUT WRITTEN PERMISSION.					

43680

A