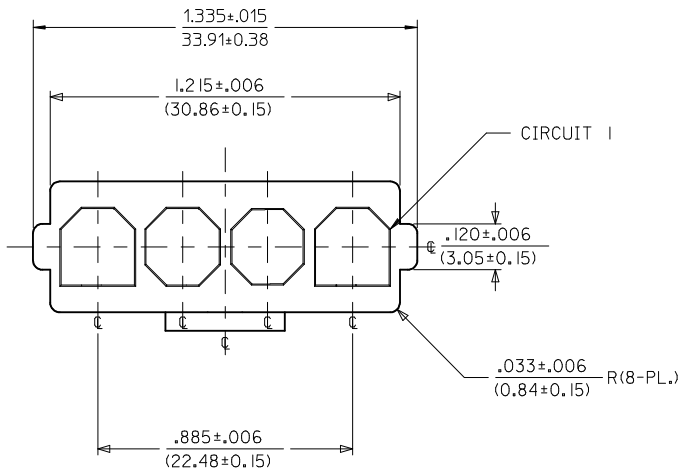
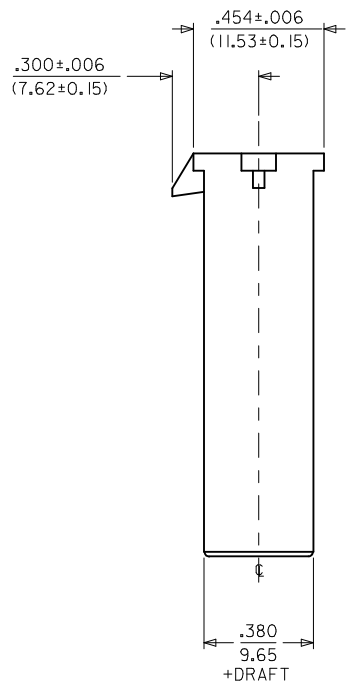
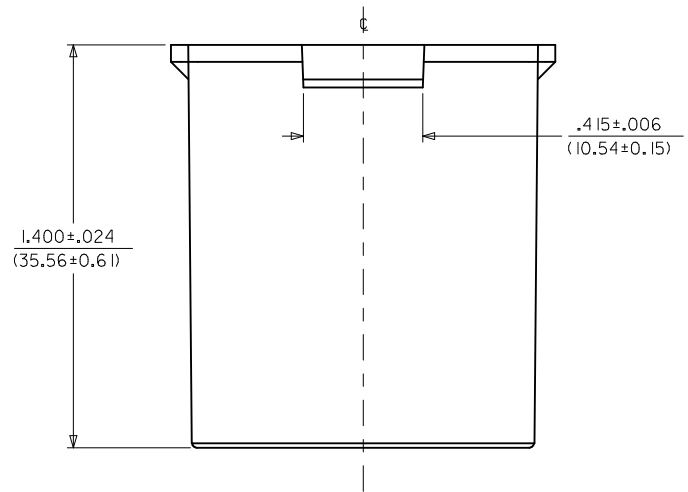


| ITEM NUMBER | MATERIAL | COLOR |
|-------------|---|-----------------------|
| 43680-1004 | UL94V-2 NYLON | NATURAL (TRANSLUCENT) |
| 43680-2004 | UL94V-0 NYLON | BLACK |
| 43680-3004 | UL94V-2 NYLON IEC 60335-1 GLOW WIRE CAPABLE | BLACK |

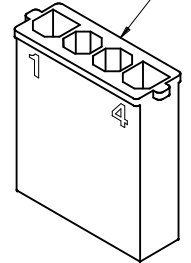


NOTE:

1. MATERIAL: SEE CHART.
2. FINISH: NONE.
3. PRODUCT SPECIFICATION: PSX-44441-9999.
4. PACKAGING: PK-43680-001.
5. THIS CONNECTOR HOUSING FOR USE WITH 43178-**** TERMINALS.
6. THIS CONNECTOR HOUSING WILL MATE TO 43335-****4, 43179-****4 AND 44441-****4 HOUSINGS.
7. PARTS CONFORM TO CLASS B REQUIREMENTS OF COSMETIC SPEC PS-45499-002.



LOCKING NUB IS LOCATED HERE



43680-*004
(NO SCALE)

| | | | | | | | | | | | |
|--|--------------------------------------|---|-----------------------|---------------------------------|----------------------|---------------------|----------------------------------|---|---|------------------|--------------------------------------|
| UPDATE TOLERANCE EC NO: UCP2014-5100 DRWN: DFOX 2014/06/04 CHKD: BANDERSON 2014/06/04 APPR: FSMITH 2014/06/10 | QUALITY SYMBOLS ∇=0 ∇=0 ∇=0 | GENERAL TOLERANCES (UNLESS SPECIFIED) | | DIMENSION STYLE IN/MM | | SCALE 4:1 | DESIGN UNITS INCH | THIRD ANGLE PROJECTION | | | |
| | | 4 PLACES ± --- ± --- | 3 PLACES ± --- ± .010 | 2 PLACES ± 0.25 ± .014 | 1 PLACE ± 0.35 ± --- | 0 PLACE ± ± | DRAWN BY CM | DATE 03/22/96 | TITLE 4-CIR. PLUG HOUSING .125/(3.18)X.020/(0.51) SABRE - TPA | | |
| | | ANGULAR ±1/2° DRAFT WHERE APPLICABLE MUST REMAIN WITHIN DIMENSIONS | | | | | MATERIAL NO. SEE CHART | DATE 03/22/96 | APPROVED BY RAS | DATE 03/22/96 | DOCUMENT NO. SD-43680-*004 |
| | | | | | | | SIZE C | THIS DRAWING CONTAINS INFORMATION THAT IS PROPRIETARY TO MOLEX INCORPORATED AND SHOULD NOT BE USED WITHOUT WRITTEN PERMISSION | | | |