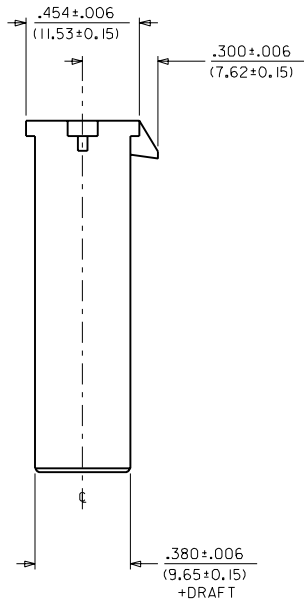
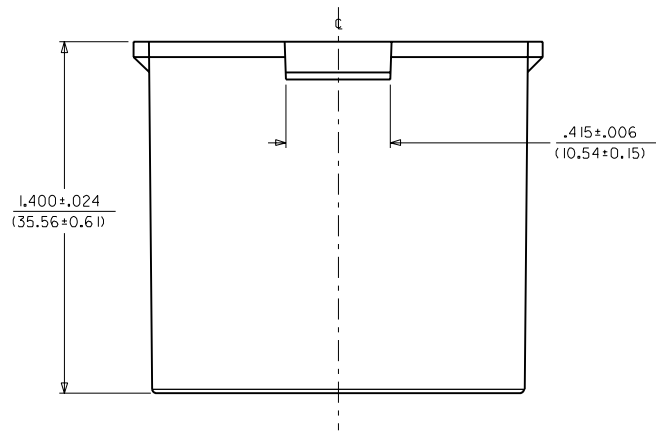
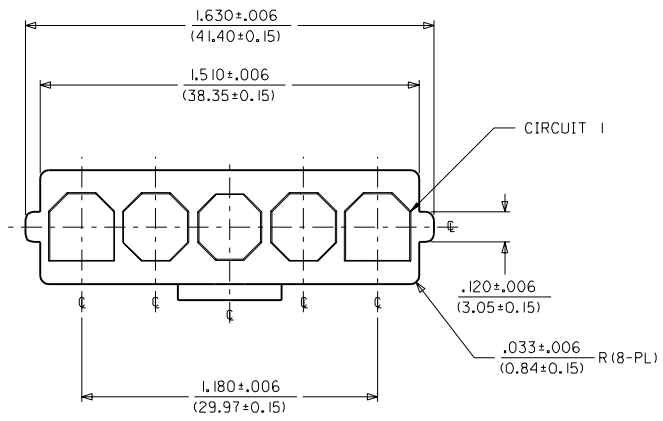


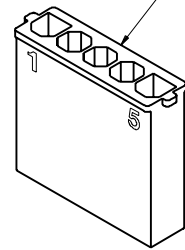
43680		4	3	2	1
ITEM NUMBER	MATERIAL (SEE NOTE 1)	COLOR			
43680-2005	UL94V-0 NYLON	BLACK			

NOTES:

1. MATERIAL: SEE CHART
2. THIS CONNECTOR HOUSING FOR USE WITH 43178-**** TERMINALS.
3. THIS CONNECTOR HOUSING WILL MATE TO 43335-***5, 43179-***5 AND 44441-***5 HOUSINGS.
4. PRODUCT SPECIFICATION: PSX-44441-9999.
5. PACKAGING: PK-43680-001.



LOCKING NUB IS LOCATED HERE



43680-0005 (NO SCALE)

C	REVISED PER UCR1999-0340 98/12/01 LENZ
BI	REVISED PER ECN* UT 1442 97/09/21 KBP
B	REVISED PER ECR #U70564 MARANTO 97/01/15
AI	REVISED PER ECN* U70029 96/07/12 KSM
A	REMOVE "X" PER ECN* U61159 96/03/22 CM

DIMENSIONS SHOWN METRIC (INCH)		▽ = 0	▼ = 0	REVISE ONLY ON CAD SYSTEM	
UNLESS OTHERWISE SPECIFIED TOLERANCES: ANGULAR ± 1/2°		TITLE			
INCH METRIC		5-CIR PLUG HOUSING			
3 PLACE ± .005 ---		.125/(3.18) X .020/(0.51)			
2 PLACE ± .01 ± 0.13		SABRE - TPA			
1 PLACE --- ± 0.25		PART NO. MOLEX INCORPORATED SHEET NO. DATE			
DRAFT WHERE APPLICABLE MUST REMAIN WITHIN DIMENSIONS		L15LEJLL 60532 U.S.A. 1 OF 1		96/03/22	
DRWG. BY: CM CHKD. BY: KBP		FILE NAME: SEE CHART		DRWG. NO. SD-43680-0005	
APP'D. BY: RAS SCALE: 3: 1		MOLEX INC. AND SHOULD NOT BE USED WITHOUT WRITTEN PERMISSION.		SIZE: CP C	

43680