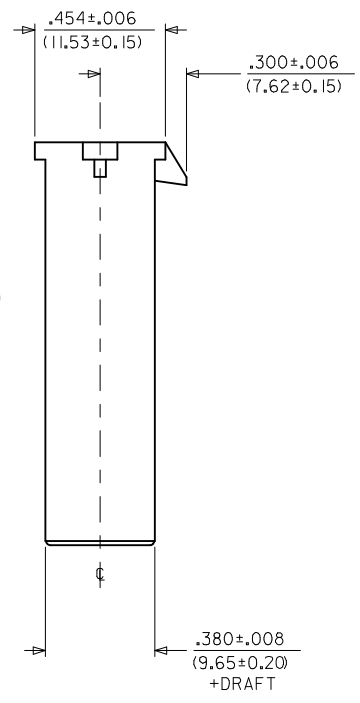
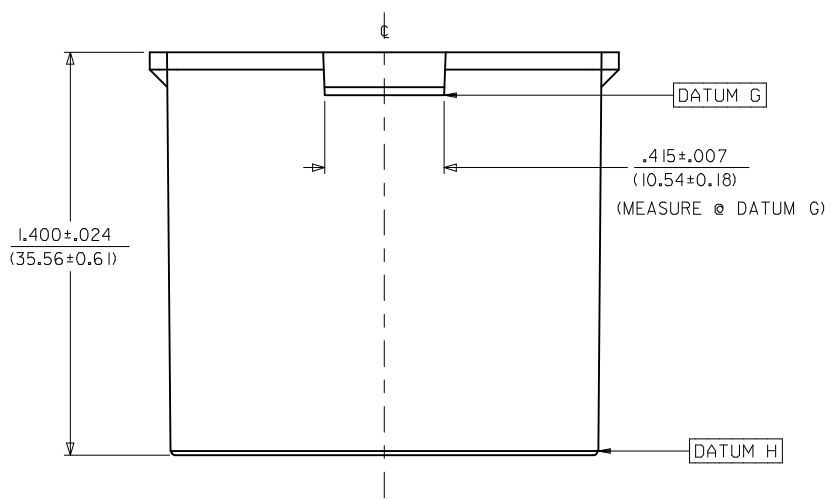
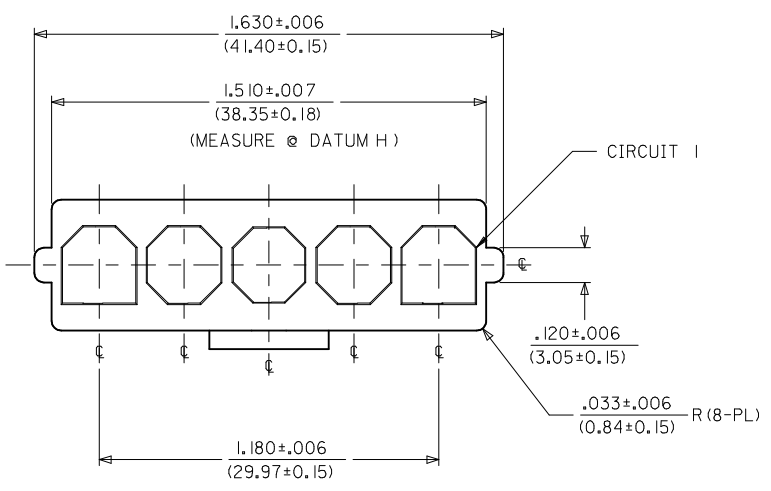


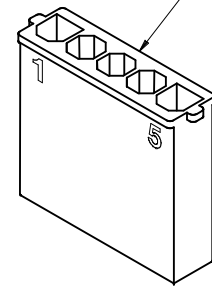
ITEM NUMBER	MATERIAL	COLOR
43680-2005	NYLON 66, UL94V-0	BLACK
43680-1005	NYLON PA66, UL94V-2	NATURAL (TRANSLUCENT)
43680-3005	NYLON, UL94V-2, IEC 60335-1 GLOW-WIRE CAPABLE	BLACK

NOTE:

1. MATERIAL: SEE CHART.
2. FINISH: NONE.
3. PRODUCT SPECIFICATION: PSX-44441-9999.
4. PACKAGING: PK-43680-001.
5. THIS CONNECTOR HOUSING FOR USE WITH 43178-**** TERMINALS.
6. THIS CONNECTOR HOUSING WILL MATE TO 43335-***5, 43179-***5 AND 44441-***5 HOUSINGS.
7. PARTS CONFORM TO CLASS B REQUIREMENTS OF COSMETIC SPEC PS-45499-002.



LOCKING NUB IS LOCATED HERE



43680-*005
(NO SCALE)

ADD -3005 PN EC NO: UCP2014-2002 DRW: B. ANDERSON 2014/03/26 CHKD: B. ANDERSON 2014/03/26 APPR: F. SMITH 2014/03/31	QUALITY SYMBOLS ∇=0 ∇=0 ∇=0	GENERAL TOLERANCES (UNLESS SPECIFIED)		DIMENSION STYLE IN/MM		SCALE 4:1	DESIGN UNITS INCH	THIRD ANGLE PROJECTION	
		4 PLACES ± --- ± ---	mm	INCH	DRAWN BY	DATE	TITLE 5-CIR. PLUG HOUSING .125/(3.18)X.020/(0.51) SABRE - TPA molex DOCUMENT NO. SD-43680-*005 SHEET NO. 1 OF 1		
		3 PLACES ± --- ± .010			CHECKED BY	DATE			
		2 PLACES ± 0.25 ± .014			APPROVED BY	DATE			
1 PLACE ± 0.35 ± ---			F. SMITH	2014/03/31					
		0 PLACE ± --- ± ---				MATERIAL NO. SEE CHART			
DRAFT WHERE APPLICABLE MUST REMAIN WITHIN DIMENSIONS		ANGULAR ±1/2°		SIZE C		THIS DRAWING CONTAINS INFORMATION THAT IS PROPRIETARY TO MOLEX INCORPORATED AND SHOULD NOT BE USED WITHOUT WRITTEN PERMISSION			