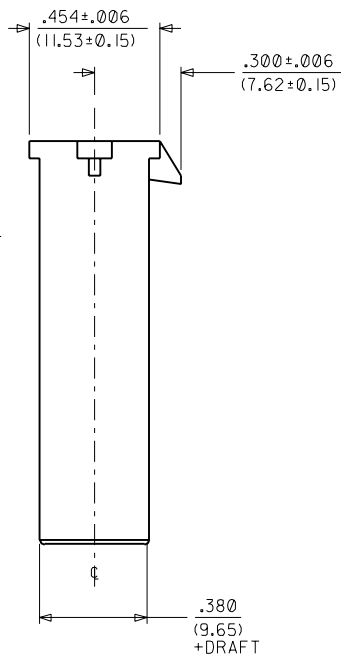
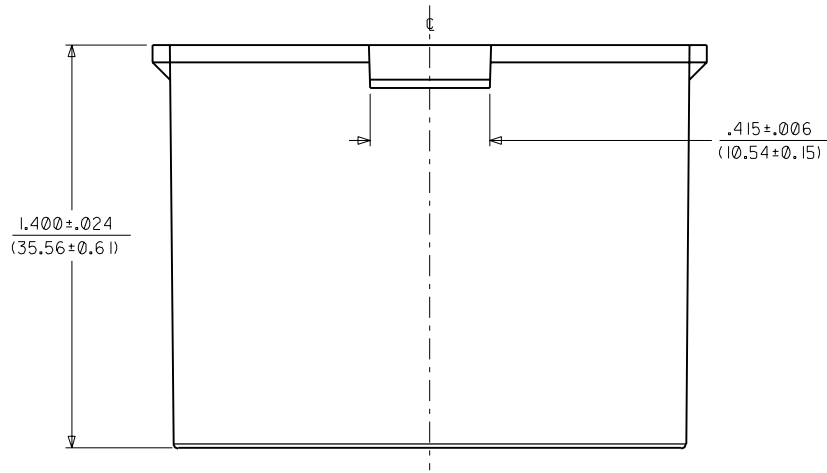
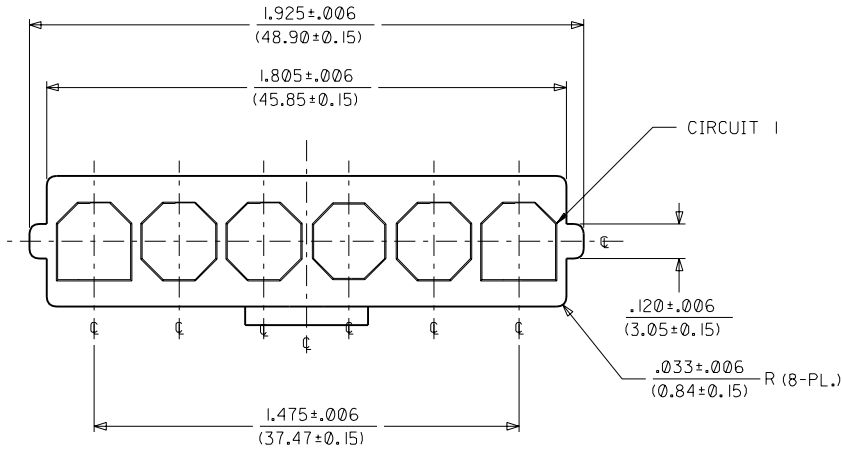


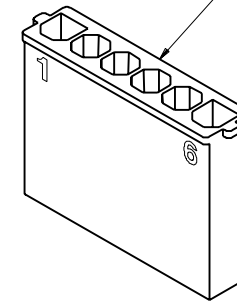
43680		4	3	2	1
ITEM NUMBER	MATERIAL (SEE NOTE 1)	COLOR			
43680-2006	UL94V-0 NYLON	BLACK			

NOTES:

1. MATERIAL: SEE CHART
2. THIS CONNECTOR HOUSING FOR USE WITH 43178-**** TERMINALS.
3. THIS CONNECTOR HOUSING WILL MATE TO 43335-***6, 43179-**** AND 44441-***6 HOUSINGS.
4. PRODUCT SPECIFICATION: PSX-44441-9999.
5. PACKAGING: PK-43680-001.



LOCKING NUB IS LOCATED HERE



43680-006
(NO SCALE)

CI	REVISED BLOCK TOL UCR2001-0907 ESOMMER 01/05/23
C	REVISED PER UCR1999-0340 98/12/01 LENZ
BI	REVISED PER ECN# U71442 97/05/21 KBP
B	REVISED PER ECN# U70564 MARANTO 97/01/15
AI	REVISED PER ECN# U70029 96/07/12 KSM
A	REMOVE ** PER ECN# U61159 96/03/22 CM

DIMENSIONS SHOWN (METRIC) INCH		▽ = 0		▽ = 0		REVISE ONLY ON CAD SYSTEM	
UNLESS OTHERWISE SPECIFIED TOLERANCES ANGULAR ± 1/2°		TITLE		6-CIR PLUG HOUSING .125/(3.18) X .020/(0.51) SABRE - TPA			
3 PLACE ± .010 ---		MOLEX INCORPORATED		SHEET NO.		DATE	
2 PLACE ± .014 ± 0.25		135LE.ILL. 60532		1 OF 1		96/03/22	
1 PLACE --- ± 0.35		PART NO.		DRWG. NO.		U.S.A.	
DRAFT WHERE APPLICABLE MUST REMAIN WITHIN DIMENSIONS		SEE CHART		SD-43680-006			
DRWG. BY: CM		CHK'D. BY: KBP		FILE NAME		DIV.	
APP'D. BY: RAS		SCALE: 3: 1		54368061		CP	
				THIS DRAWING CONTAINS INFORMATION THAT IS PROPRIETARY TO MOLEX INC. AND SHOULD NOT BE USED WITHOUT WRITTEN PERMISSION.		SIZE	