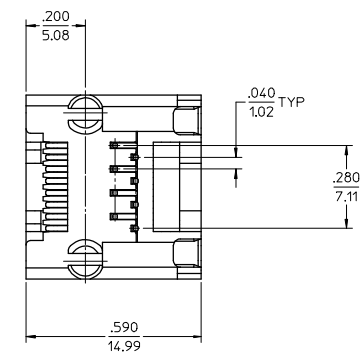
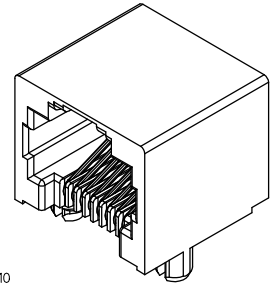
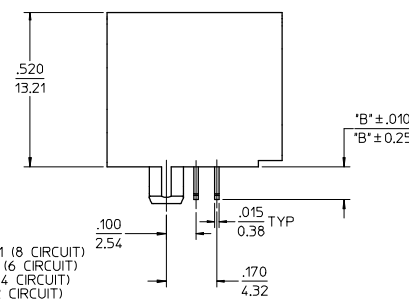
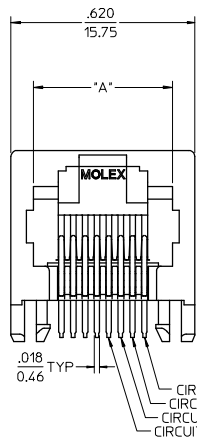
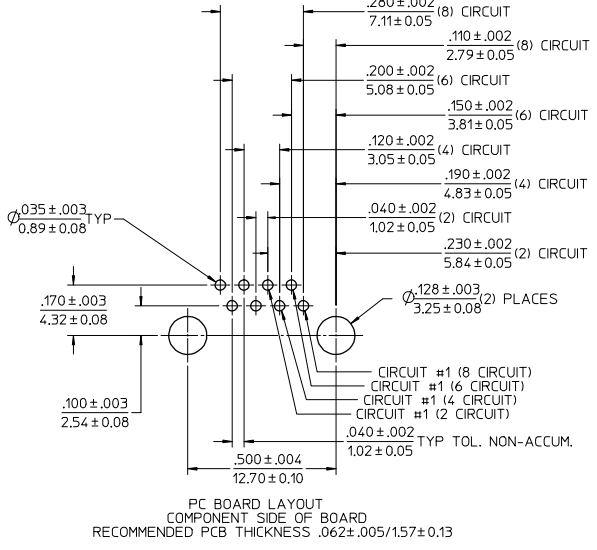


NOTES:
 1) MATERIAL:
 HOUSING: NYLON(PA), GLASS FILLED, UL94V-0, COLOR: SEE CHART
 TERMINALS: PHOSPHOR BRONZE
 2) FINISH:
 TERMINALS:
 *SELECT GOLD IN CONTACT AREA: 50 MICROINCHES (1.27 MICROMETERS) MIN.,
 *SELECT TIN IN PC TAIL AREA: 100 MICROINCHES (2.54 MICROMETERS) MIN.,
 WITH OVERALL NICKEL UNDERPLATE: 50 MICROINCHES (1.27 MICROMETERS) MIN.
 *THE PRIMARY SHIPPING CARTON WILL BE LABELED "COMPLIANT TO
 RoHS DIRECTIVE 2002/95/EC AND ELV ANNEX II OF DIRECTIVE
 2000/53/EC". CARTONS WITHOUT THIS LABEL MAY CONTAIN PRODUCT
 WITH TIN-LEAD IN THE PC TAILS.
 3) PRODUCT SPECIFICATION AND PROCESSING PARAMETERS: PS-43860-003.
 4) PACKAGING SPECIFICATION:
 CONNECTOR ASSEMBLIES PACKAGED IN EXTRUDED TUBES PER MOLEX
 PACKAGING SPECIFICATION PK-43860-004.
 5) ALL UNTOLERANCED DIMENSIONS ARE SHOWN FOR REFERENCE ONLY.
 6) CONFORMS TO FCC REGULATION PART 68.5 FOR MODULAR JACKS.
 7) THIS PART CONFORMS TO CLASS B REQUIREMENTS OF COSMETIC
 SPECIFICATION PS-45499-002.



ASSEMBLY MAT. NUM.	CONNECTOR SIZE	DIM 'A'	DIM 'B'	CIRCUITS	HOUSING COLOR
43860-0001	8	.469/11.91	.110/2.79	8	BLACK
43860-2001	8	.469/11.91	.080/2.03	8	BLACK
43860-0002	6	.389/9.88	.110/2.79	6	BLACK
43860-0003	6	.389/9.88	.110/2.79	4	BLACK
43860-0019	8	.469/11.91	.110/2.79	4	BLACK
43860-0020	6	.389/9.88	.110/2.79	2	BLACK

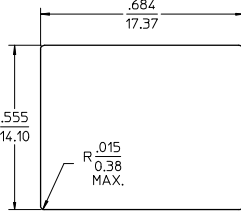
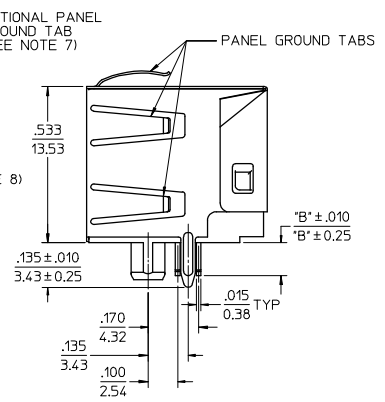
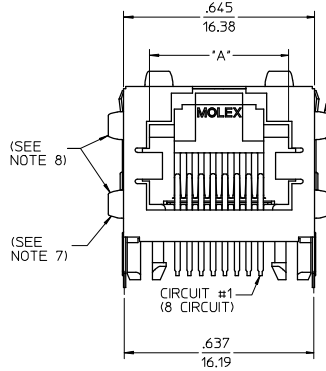
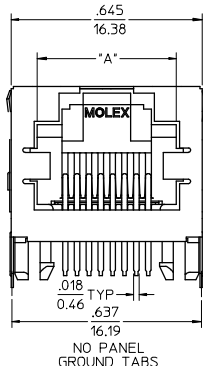
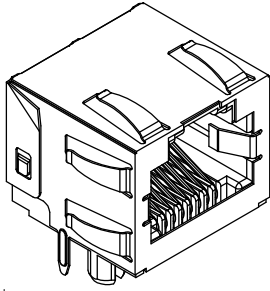
ADD PART # SHT 2
 EC NO. UCP2008-3111
 DRW:LSCHMIDT 2008/06/20
 CHKD:JRELL 2008/06/27
 APPR:ESMITH 2008/07/14

QUALITY SYMBOLS
 ▽=0
 ▽=0

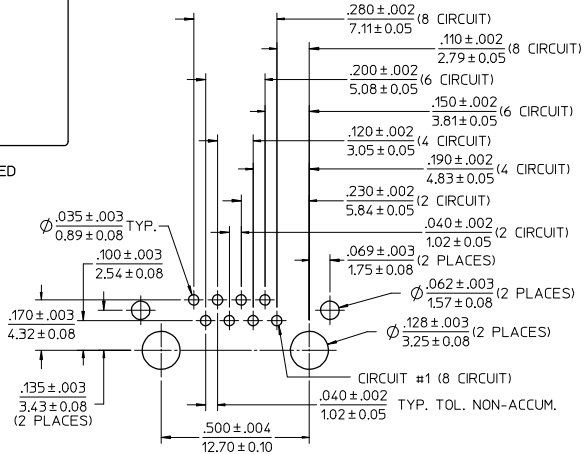
GENERAL TOLERANCES (UNLESS SPECIFIED):
 4 PLACES ± .010
 3 PLACES ± .010
 2 PLACES ± 0.25
 1 PLACE ± .010
 ANGULAR ± 1/2°

DIMENSION STYLE IN/MM
 SCALE 4:1
 DESIGN UNITS INCH
 THIRD ANGLE PROJECTION
 DRAWN BY TALEND DATE 1997/02/13
 CHECKED BY ROBERTS DATE 1997/03/03
 APPROVED BY FRY DATE 1997/03/04
 MATERIAL NO. SEE CHART
 DOCUMENT NO. SD-43860-001
 SHEET NO. 1 OF 5

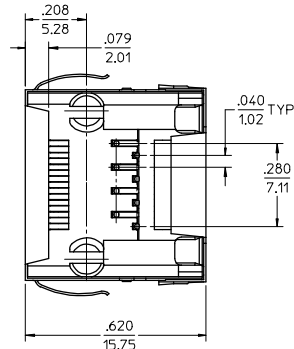
13 12 11 10 9 8 7 6 5 4 3 2 1



RECOMMENDED PANEL OPENING



PC BOARD LAYOUT
COMPONENT SIDE OF BOARD
RECOMMENDED PCB THICKNESS .062 ± .005 / 1.57 ± 0.13



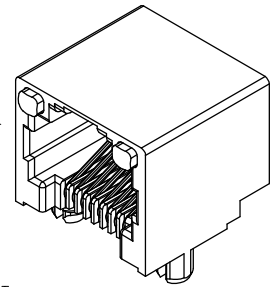
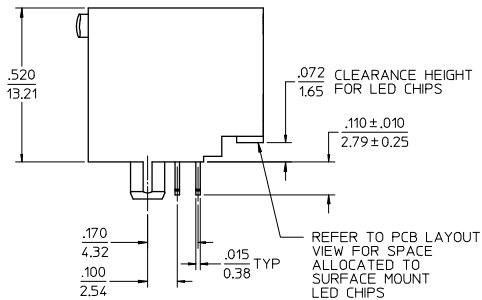
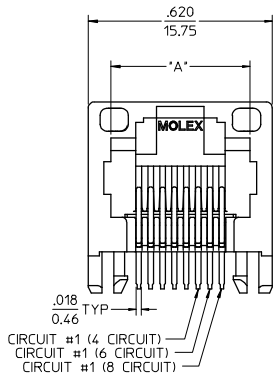
- NOTES:
- MATERIAL:
HOUSING: NYLON(PA), GLASS FILLED, UL94V-0.
COLOR: BLACK
TERMINALS: PHOSPHOR BRONZE
SHIELD: BRASS
 - FINISH:
TERMINALS:
SELECT GOLD IN CONTACT AREA: 50 MICROINCHES/
127 MICROMETERS MIN.
*SELECT TIN IN PC TAIL AREA: 100 MICROINCHES/
2.54 MICROMETERS MIN.
WITH OVERALL NICKEL UNDERPLATE: 50 MICROINCHES/
127 MICROMETERS MIN.
SHIELD:
*100 MICROINCHES/2.54 MICROMETERS NICKEL OVER
50 MICROINCHES/127 MICROMETERS COPPER
UNDERPLATE, PCB GROUND TABS DIPPED IN TIN
*THE PRIMARY SHIPPING CARTON WILL BE LABELED
"COMPLIANT TO ROHS DIRECTIVE 2002/95/EC AND
ELV ANNEX II OF DIRECTIVE 2000/53/EC".
CARTONS WITHOUT THIS LABEL MAY CONTAIN
PRODUCT WITH TIN-LEAD IN THE PC TAILS AND/OR SHIELD.
 - PRODUCT SPECIFICATION: PS-43860-003.
 - PACKAGING SPECIFICATION:
CONNECTOR ASSEMBLIES PACKAGED IN THERMOFORMED TRAYS
PER MOLEX PACKAGING SPECIFICATION PK-43860-005.
43860-5025 CONNECTOR ASSEMBLIES PACKAGED IN TAPE AND
REEL PER MOLEX PACKAGING SPECIFICATION PK-70873-700*
 - ALL UNTOLERANCED DIMENSIONS ARE SHOWN FOR REFERENCE ONLY.
 - CONFORMS TO FCC REGULATION PART 68.5 FOR MODULAR JACKS.
 - AVAILABLE WITH THE (2) SPECIFIED PANEL GROUND TABS
OMITTED FOR SIDE TO SIDE STACKABILITY, PER THE ASSEMBLY
MATERIAL NUMBER TABLE.
 - AVAILABLE WITH TOP PANEL GROUND TABS ONLY, PER THE
ASSEMBLY MATERIAL NUMBER TABLE.
 - THIS PART CONFORMS TO CLASS B REQUIREMENTS OF COSMETIC
SPECIFICATION PS-45499-002.

ASSEMBLY MAT. NUM.	CONNECTOR SIZE	DIM 'A'	DIM 'B'	CIRCUITS	PANEL GROUND TABS	PACKAGING OPTION
43860-0004	8	.469/11.91	.110/2.79	8	ALL	TRAY
43860-2004	8	.469/11.91	.080/2.03	8	ALL	TRAY
43860-0005	6	.389/9.88	.110/2.79	6	ALL	TRAY
43860-0006	6	.389/9.88	.110/2.79	4	ALL	TRAY
43860-0013	8	.469/11.91	.110/2.79	8	SEE NOTE #7	TRAY
43860-0014	6	.389/9.88	.110/2.79	6	SEE NOTE #7	TRAY
43860-0015	6	.389/9.88	.110/2.79	4	SEE NOTE #7	TRAY
43860-0024	6	.389/9.88	.110/2.79	2	ALL	TRAY
43860-0025	8	.469/11.91	.110/2.79	8	NONE	TRAY
43860-0026	6	.389/9.88	.110/2.79	6	NONE	TRAY
43860-0027	6	.389/9.88	.110/2.79	4	NONE	TRAY
43860-0031	8	.469/11.91	.110/2.79	8	SEE NOTE #8	TRAY
43860-5025	8	.469/11.91	.110/2.79	8	NONE	TAPE

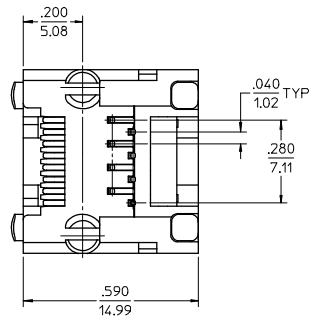
ADD 43860-5025 EC NO. UCP2008-3111 DRW:LSCHMIDT 2008/06/20 CHK:J.BELL 2008/06/27 APPR:SMITH 2008/07/14 H6 REV	QUALITY SYMBOLS	GENERAL TOLERANCES (UNLESS SPECIFIED)	DIMENSION STYLE IN/MM	SCALE 4:1	DESIGN UNITS INCH	THIRD ANGLE PROJECTION	
	▽=0 ▽=0	4 PLACES ±.010 3 PLACES ±.010 2 PLACES ±0.25 1 PLACE ±.010 ANGULAR ±1/2°	mm INCH DRAWN BY TALEND DATE 1997/02/13 CHECKED BY ROBERTS DATE 1997/03/03 APPROVED BY FRY DATE 1997/03/04				
		DRAFT WHERE APPLICABLE MUST REMAIN WITHIN DIMENSIONS	SEE CHART	MOLEX INCORPORATED DOCUMENT NO. SD-43860-001 SHEET NO. 2 OF 5			
		THIS DRAWING CONTAINS INFORMATION THAT IS PROPRIETARY TO MOLEX INCORPORATED AND SHOULD NOT BE USED WITHOUT WRITTEN PERMISSION					

12 11 10 9 8 7 6 5 4 3 2 1

13 12 11 10 9 8 7 6 5 4 3 2 1



- NOTES:
- MATERIAL: HOUSING: NYLON(PIA), GLASS FILLED, UL94V-0, COLOR: BLACK
TERMINALS: PHOSPHOR BRONZE
LIGHT PIPES: POLYCARBONATE - WAVE OR HAND SOLDER ONLY (NOT DESIGNED FOR I/R REFLOW OR CONVECTION REFLOW SOLDER PROCESSES)
POLYSULFONE - MAXIMUM REFLOW TEMPERATURE 400°F (205°C)
 - FINISH: TERMINALS: *SELECT GOLD IN CONTACT AREA: 50 MICRONS (1.27 MICROMETERS) MIN.
*SELECT TIN IN PC TAIL AREA: 100 MICRONS (2.54 MICROMETERS) MIN.
WITH OVERALL NICKEL UNDERPLATE: 50 MICRONS (1.27 MICROMETERS) MIN.
*THE PRIMARY SHIPPING CARTON WILL BE LABELED "COMPLIANT TO RoHS DIRECTIVE 2002/95/EC AND ELV ANNEX II OF DIRECTIVE 2000/53/EC". CARTONS WITHOUT THIS LABEL MAY CONTAIN PRODUCT WITH TIN-LEAD IN THE PC TAILS.
 - PRODUCT SPECIFICATION AND PROCESSING PARAMETERS: PS-43860-003.
 - PACKAGING SPECIFICATION: CONNECTOR ASSEMBLIES PACKAGED IN EXTRUDED TUBES PER MOLEX PACKAGING SPECIFICATION PK-43860-004.
 - APPLICATION SPECIFICATION: AS-43860-001
 - ALL UNTOLERANCED DIMENSIONS ARE SHOWN FOR REFERENCE ONLY.
 - CONFORMS TO FCC REGULATION PART 68.5 FOR MODULAR JACKS.
 - REFER TO SHEET (5) OF (6) FOR RECOMMENDED PCB LAYOUT.
 - THIS PART CONFORMS TO CLASS B REQUIREMENTS OF COSMETIC SPECIFICATION PS-45499-002.



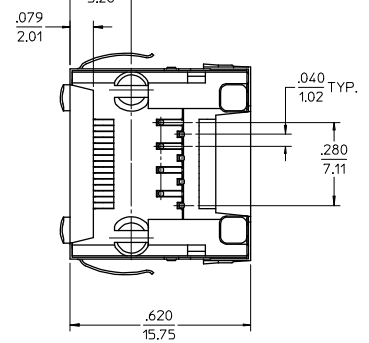
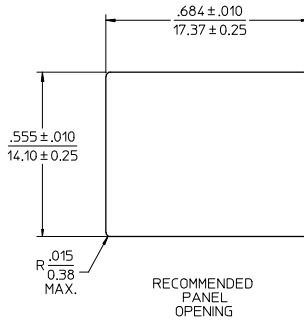
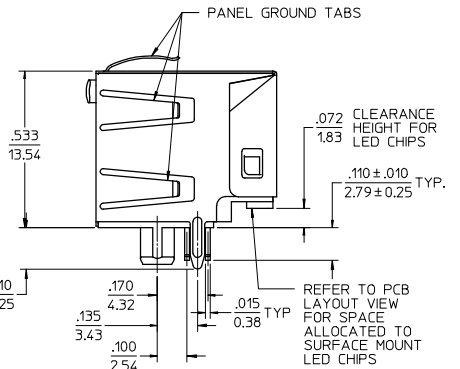
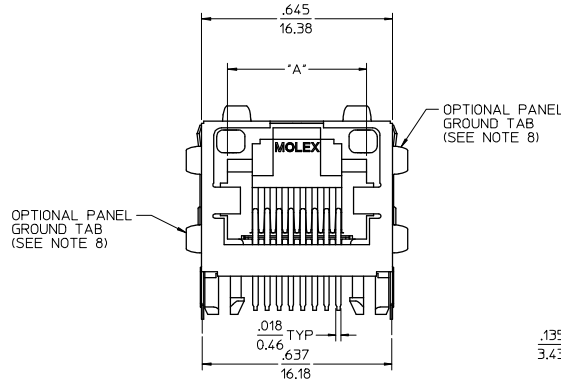
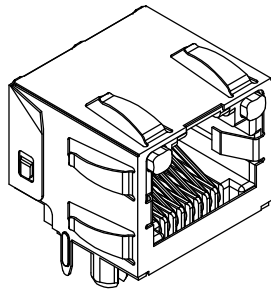
ASSEMBLY MAT. NUM.	LIGHT PIPE MATERIAL	CONNECTOR SIZE	DIM "A"	CIRCUITS
43860-0007	POLYCARBONATE	8	.469/11.91	8
43860-0008	POLYCARBONATE	6	.389/9.88	6
43860-0009	POLYCARBONATE	6	.389/9.88	4
43860-0021	POLYSULFONE	8	.469/11.91	8
43860-0022	POLYSULFONE	6	.389/9.88	6
43860-0023	POLYSULFONE	6	.389/9.88	4

SEE SHEET 1 EC NO: UCP2008-3111 DRW:LSCHMIDT CHKD:JBELL APPR:ESMITH	QUALITY SYMBOLS	GENERAL TOLERANCES (UNLESS SPECIFIED)	DIMENSION STYLE IN/MM	SCALE 4:1	DESIGN UNITS INCH	THIRD ANGLE PROJECTION
	=0 =0	4 PLACES ±--- ±--- 3 PLACES ±--- ±.010 2 PLACES ±0.25 ±--- 1 PLACE ±--- ±--- ANGULAR ±1/2°	mm INCH DRAWN BY TALEND DATE 1997/02/13 CHECKED BY ROBERTS DATE 1997/03/03 APPROVED BY FRY DATE 1997/03/04	TITLE INVERTED MODULAR JACK ASSEMBLY		
	H6	DRAFT WHERE APPLICABLE MUST REMAIN WITHIN DIMENSIONS	SEE CHART SIZE C	MATERIAL NO. SD-43860-001 DOCUMENT NO. SD-43860-001 SHEET NO. 3 OF 5		
	THIS DRAWING CONTAINS INFORMATION THAT IS PROPRIETARY TO MOLEX INCORPORATED AND SHOULD NOT BE USED WITHOUT WRITTEN PERMISSION					

12 11 10 9 8 7 6 5 4 3 2 1

td_frame_C.P. AM.T
Rev. D 2004/06/28

13 12 11 10 9 8 7 6 5 4 3 2 1



- NOTES:
- MATERIAL:
HOUSING: NYLON(PA), GLASS FILLED, UL94V-0, COLOR: BLACK
TERMINALS: PHOSPHOR BRONZE
SHIELD: BRASS
LIGHT PIPES:
POLYCARBONATE - WAVE OR HAND SOLDER ONLY
(NOT DESIGNED FOR I/R REFLOW OR CONVECTION REFLOW SOLDER PROCESSES)
POLYSULFONE - MAXIMUM REFLOW TEMPERATURE 400°F (205°C)
 - FINISH:
TERMINALS:
SELECT GOLD IN CONTACT AREA: 50 MICROINCHES/1.27 MICROMETERS MIN.
*SELECT TIN IN PC TAIL AREA: 100 MICROINCHES/2.54 MICROMETERS MIN.
WITH OVERALL NICKEL UNDERPLATE: 50 MICROINCHES/1.27 MICROMETERS MIN.
SHIELD:
*100 MICROINCHES/2.54 MICROMETERS OVER 50 MICROINCHES/1.27 MICROMETERS COPPER UNDERPLATE; PCB GROUND TABS DIPPED IN TIN
*THE PRIMARY SHIPPING CARTON WILL BE LABELED "COMPLIANT TO RoHS DIRECTIVE 2002/95/EC AND ELV ANNEX II OF DIRECTIVE 2000/53/EC". CARTONS WITHOUT THIS LABEL MAY CONTAIN PRODUCT WITH TIN-LEAD IN THE PC TAILS AND/OR SHIELD.
 - PRODUCT SPECIFICATION AND PROCESSING PARAMETERS: PS-43860-003.
 - PACKAGING SPECIFICATION:
CONNECTOR ASSEMBLIES PACKAGED IN THERMOFORMED TRAYS PER MOLEX PACKAGING SPECIFICATION PK-43860-005.
 - APPLICATION SPECIFICATION: AS-43860-001
 - ALL UNTOLERANCED DIMENSIONS ARE SHOWN FOR REFERENCE ONLY.
 - CONFORMS TO FCC REGULATION PART 68.5 FOR MODULAR JACKS.
 - AVAILABLE WITH THE (2) SPECIFIED PANEL GROUND TABS OMITTED FOR SIDE TO SIDE STACKABILITY, PER THE ASSEMBLY MATERIAL NUMBER TABLE.
 - REFER TO SHEET (5) OF (5) FOR RECOMMENDED PCB LAYOUT.
 - THIS PART CONFORMS TO CLASS B REQUIREMENTS OF COSMETIC SPECIFICATION PS-45499-002.

ASSEMBLY MAT. NUM.	LIGHT PIPE MATERIAL	CONNECTOR SIZE	DIM "A"	CIRCUITS	PANEL GROUND TABS
43860-0010	POLYCARBONATE	8	.469/11.91	8	ALL
43860-0011	POLYCARBONATE	6	.389/9.88	6	ALL
43860-0012	POLYCARBONATE	6	.389/9.88	4	ALL
43860-0016	POLYCARBONATE	8	.469/11.91	8	SEE NOTE #8
43860-0017	POLYCARBONATE	6	.389/9.88	6	SEE NOTE #8
43860-0018	POLYCARBONATE	6	.389/9.88	4	SEE NOTE #8
43860-1010	POLYSULFONE	8	.469/11.91	8	ALL
43860-1011	POLYSULFONE	6	.389/9.88	6	ALL
43860-1012	POLYSULFONE	6	.389/9.88	4	ALL
43860-1016	POLYSULFONE	8	.469/11.91	8	SEE NOTE #8
43860-1017	POLYSULFONE	6	.389/9.88	6	SEE NOTE #8
43860-1018	POLYSULFONE	6	.389/9.88	4	SEE NOTE #8

SEE SHEET 1 EC NO. UCP2008-3111 2008/06/20 DRWNL:SHRDT 2008/06/27 CHKD:JHELL APPR:ESMTH 2008/07/14	QUALITY SYMBOLS ▽=0 ▽=0	GENERAL TOLERANCES (UNLESS SPECIFIED): 4 PLACES ±.005 ±.005 3 PLACES ±.005 ±.010 2 PLACES ±.025 ±.010 1 PLACE ±.010 ±.010 ANGULAR ±1/2°	DIMENSION STYLE IN/MM	SCALE 4:1	DESIGN UNITS INCH	THIRD ANGLE PROJECTION
		DRAWN BY TALEND DATE 1997/02/13	CHECKED BY ROBERTS DATE 1997/03/03	APPROVED BY FRY DATE 1997/03/04	MOLEX INCORPORATED INVERTED MODULAR JACK ASSEMBLY SD-43860-001 DOCUMENT NO. SD-43860-001 SHEET NO. 4 OF 5	

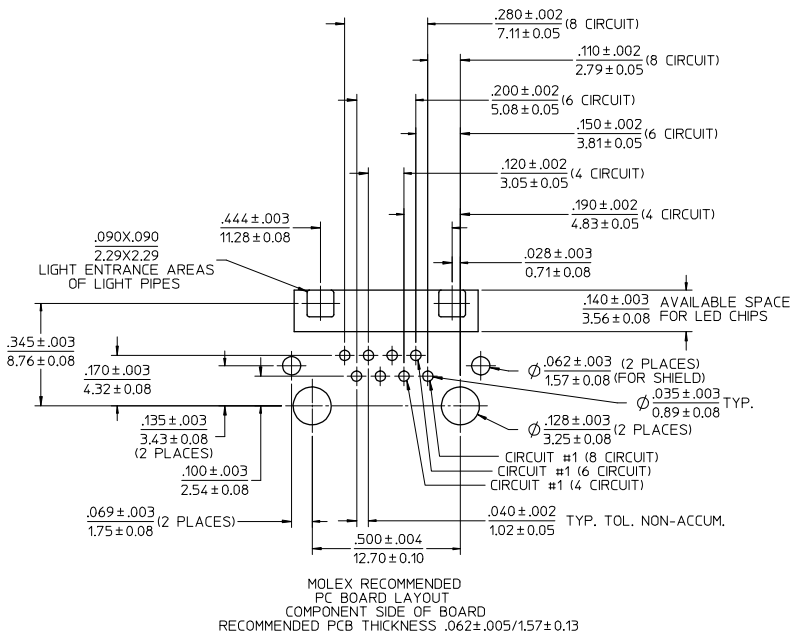
DRAFT WHERE APPLICABLE MUST REMAIN WITHIN DIMENSIONS

SIZE C THIS DRAWING CONTAINS INFORMATION THAT IS PROPRIETARY TO MOLEX INCORPORATED AND SHOULD NOT BE USED WITHOUT WRITTEN PERMISSION

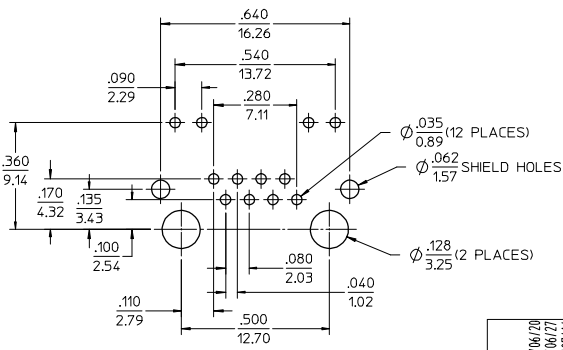
Id_frame_C.P. AM.T
Rev. D 2004/06/28

12 11 10 9 8 7 6 5 4 3 2 1

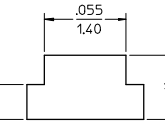
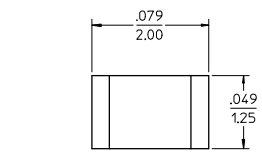
13 12 11 10 9 8 7 6 5 4 3 2 1



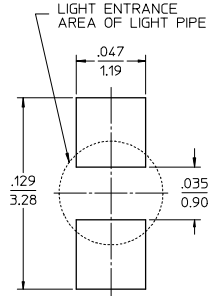
MOLEX RECOMMENDED
PC BOARD LAYOUT
COMPONENT SIDE OF BOARD
RECOMMENDED PCB THICKNESS .062±.005/1.57±.013



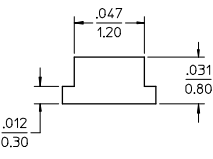
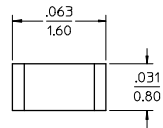
TYPICAL COMPETITION
PCB LAYOUT WITH
INTEGRAL LED'S
(SHOWN FOR REFERENCE ONLY)



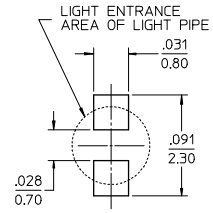
RECOMMENDED SMT
0805 LED DIMENSIONS
SCALE 20:1
(SEE NOTE 1)



RECOMMENDED SMT
0805 LED SOLDER PATTERN
SCALE 20:1
(SEE NOTE 1)



RECOMMENDED SMT
0603 LED DIMENSIONS
SCALE 20:1
(SEE NOTE 1)



RECOMMENDED SMT
0603 LED SOLDER PATTERN
SCALE 20:1
(SEE NOTE 1)

NOTES:
1. FOR CROSS REFERENCE OF RECOMMENDED LED'S SEE MOLEX WEB SITE

SEE SHEET 1 EC NO. UCP2008-3111 2008/06/20 DRW:LSCHMIDT 2008/06/27 CHK:JBEHL 2008/07/14 APPR:SMITH	QUALITY SYMBOLS ▽=0 ▽=0	GENERAL TOLERANCES (UNLESS SPECIFIED)		DIMENSION STYLE IN/MM		SCALE 4:1	DESIGN UNITS INCH	THIRD ANGLE PROJECTION	
		4 PLACES ±.010	±.010	DRAWN BY TALEND	DATE 1997/02/13	TITLE INVERTED MODULAR JACK ASSEMBLY			
		3 PLACES ±.025	±.025	CHECKED BY ROBERTS	DATE 1997/03/03	MOLEX INCORPORATED			
		1 PLACE ±.050	±.050	APPROVED BY FRY	DATE 1997/03/04	MATERIAL NO. SD-43860-001 DOCUMENT NO. SHEET NO. 5 OF 5			
DRAFT WHERE APPLICABLE MUST REMAIN WITHIN DIMENSIONS		SEE CHART		THIS DRAWING CONTAINS INFORMATION THAT IS PROPRIETARY TO MOLEX INCORPORATED AND SHOULD NOT BE USED WITHOUT WRITTEN PERMISSION					

12 11 10 9 8 7 6 5 4 3 2 1